



Urban  
e-Mobility

**MG-20**  
foldable e-bike



User manual | Manuale d'uso | Manuel d'utilisation  
Benutzerhandbuch | Handleiding | Upute za uporabu

English.....	02
Italiano .....	38
Français .....	74
Deutsch .....	110
Nederlands .....	146
Hrvatski.....	182

**MG-20**

foldable e-bike

## User manual

Contents Instructions translated from the original Italian.

Thank you for choosing this product. For information, technical support, assistance or to consult the general terms of the warranty, please contact your dealer or visit website [www.platum.com/en/ducati-urban-e-mobility/](http://www.platum.com/en/ducati-urban-e-mobility/)

# Contents

1. Introduction
2. Warnings on use and safety
3. Packing list
4. Product overview
5. Technical data sheet
6. Assembly
7. Battery
8. Display
9. First start-up
10. Storage, maintenance and cleaning
11. Connections diagram
12. Troubleshooting
13. Liability and general terms of warranty
14. Information on disposal

# 1. Introduction

## Overview

This manual is an integral and essential part of the electrically power assisted cycle (EPAC).

Before using the bike for the first time, it is essential that users read, understand and strictly observe the requirements outlined below.

The company shall not be liable for any damages caused and is in no way responsible for damages caused to property or persons when:

- the item is used incorrectly or in a manner that does not comply with the instructions of the user guide;
- after the purchase, the item is modified or tampered with in all or some of its components.

In the interest of technological development, the manufacturer reserves the right to modify the product in question without prior notice and without automatically updating this manual. For further information and to consult any updated versions of the manual, please visit [www.platum.com/en/ducati-urban-e-mobility/](http://www.platum.com/en/ducati-urban-e-mobility/)

## After-sales service

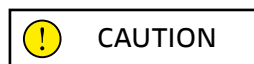
For any problem or request for clarification, please do not hesitate to contact the after-sales service team of your authorised dealer who has expertise and specialist knowledge and access to specific tools and original spare parts.

## Legal note for use

Check and observe the highway code and local road regulations in force for cyclists on any restrictions for riders, who may use the product, and on the use of this type of product.

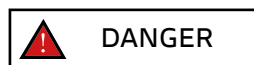
## Visual representation of the safety warnings

To identify the safety messages in the manual, the following warning symbols will be used which serve to draw the reader's/ user's attention in order to ensure that the electrically power assisted cycle is used correctly and safely.



### Caution

This highlights the rules which should be observed to avoid damaging the EPAC and/or prevent potentially dangerous situations from arising.



### Residual risks

Highlights the presence of hazards causing residual risks, which the user must be aware of to prevent injury or damage to property.

## 2. Warnings on use and safety

### General safety rules

Even if you are already familiar with the use of an electrically power assisted cycle, the instructions given below must be followed and the general guidelines for operating a motorised vehicle must also be observed.

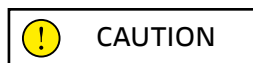
It is important to take the time required to learn the basics of using the bike to avoid serious injury which could occur when first using it. Contact your dealer for advice on how to use the bike correctly or indications on contacting a suitable training organisation.

The company assumes no direct or indirect responsibility arising from misuse of the bike, failure to comply with both the highway code and the instructions in the manual, accidents or disputes caused by failure to comply with regulations or illegal actions.

This product must be used for recreational purposes. It cannot be used by more than one person at a time and must not be used to transport passengers.

Do not modify the intended use of the vehicle in any way. The item is not suitable for stunts, competitions, transporting objects, towing other vehicles or trailers.

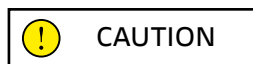
The A-weighted emission sound pressure level at the rider's ear is less than 70 dB(A).



### Using the electrically power assisted cycle

All users must have read and understood the instructions and information outlined in the manual.

If, during assembly, any factory defects are detected, certain steps are unclear or issues with assembly or adjustments occur, do not ride the vehicle and contact your dealer or visit [www.platum.com/en/ducati-urban-e-mobility/](http://www.platum.com/en/ducati-urban-e-mobility/) for technical support.



### Risks associated with the use of the electrically power assisted cycle

Despite the application of safety devices, to ensure safe use of the electrically power assisted cycle, all the safety provisions reported in this manual must be observed.

Always maintain concentration while riding and do not underestimate the residual risks connected with use of the electrically power assisted cycle.



## CAUTION

### Responsibility

The rider is required to use the electrically power assisted cycle with utmost diligence and in full compliance with the road regulations and all cycling rules in force in the country of use.

It is important to bear in mind that when out in a public space or on the road, even when the instructions in the manual are observed to the letter, the rider is not immune to injury caused by infractions or inappropriate actions taken towards other vehicles, obstacles or persons. Misuse of the item or non-compliance with the instructions provided in this manual may cause severe injury.

Riders must also ensure that the electrically power assisted cycle is kept clean, in perfect working order and serviced. They must diligently carry out the safety checks which are their responsibility, as well as preserve all the documentation about product maintenance.

Riders must carefully assess any weather conditions which could make it potentially dangerous to use the electrically power assisted cycle.

This product is a vehicle, therefore, the faster it goes, the longer the braking distance required. We, therefore, recommend moderating your speed and maintaining an adequate braking distance if you are riding in adverse weather conditions and/ or heavy traffic.

The braking distance increases on wet, slippery, muddy or icy roads and the tyre grip decreases significantly with the risk of the wheels skidding and loss of balance compared to dry roads.

It is, therefore, essential to ride the bike with greater care, maintain a suitable speed and safety distance from other vehicles or pedestrians.

Take extra care when riding on unfamiliar roads.

For your safety, we recommend wearing suitable protective equipment (helmet, knee and elbow pads) to protect yourself from any falls or injuries while riding the bike. When allowing others to use the bike, ensure that the rider wears the safety equipment and explain how to operate the vehicle. To avoid injury, do not allow other persons to use the item if they do not know how to use it.

Wear shoes before using the item.

The bike has been designed to allow the load of a maximum overall weight (rider and any load being carried) that does not exceed the value indicated in the product data sheet.

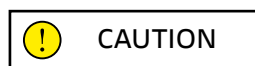
Avoid using the product, under all circumstances, if the total load transported exceeds the recommended weight to avoid the risk of damaging the integrity of the structural and electronic components of the bike.

The electrically power assisted cycle (EPAC), as specified in the provisions of the current reference standard EN 15194, is a means of transport intended to transport one person only.

The transport of a passenger is only permitted within the framework of the regulations in force in the country where it is ridden regarding: the minimum age of the rider, maximum age of the passenger transported, provision of legally approved and authorised passenger transport devices.

It is the user's responsibility to ascertain the suitability of the devices used for passenger transport in terms of construction characteristics, safety systems, anchoring systems and their installation and assembly on the electrically power assisted cycle based on its structure and within the permitted load limits (maximum load supported by the bike and by the luggage rack supplied, if present).

The user is also responsible for the provision and installation of devices used for the transport of objects and animals (e.g. luggage racks, luggage bags, storage baskets, etc.) in compliance with the legally approved and authorised provisions in the country of use and the limitations of the structure within the permitted load limits (maximum load supported by the bike and by the luggage rack supplied, if present).



The installation of accessories and equipment on the bike, not only affect the performance of the bike and how it is used, but can also cause damage if they are unsuitable, thus compromising correct operation and safety conditions during use.

For information on the supply and installation of equipment deemed suitable for the bike, please contact your authorised dealer or specialised operators.

### **Warnings for users**

- The electrically power assisted cycle can only be used by adults and skilled teenagers.
- Do not take alcohol or drugs before riding the electrically power assisted cycle.
- This electrically power assisted cycle model is designed and built for outdoor use on public roads or cycle tracks.
- Do not solicit higher performance characteristics of the electrically power assisted cycle with respect to those for which it has been designed.
- Never ride the electrically power assisted cycle with any of its parts disassembled.
- Ride with both hands on the handlebars.
- Before use, replace any worn and/or damaged parts and check that the safety devices are working properly.
- Keep children away from plastic items (including packaging materials) and small parts that may result in suffocation.
- Supervise children to make sure they do not play with the product.
- Remove any sharp edges caused by misuse, breakage or damage to the item.

- Pay special attention when using the product near pedestrians and make sure you slow down and signal your presence to avoid frightening them when arriving from behind.
- Assemble the item correctly.



## How to use

The electrically power assisted cycle is a bicycle fitted with an auxiliary electric motor that is activated only when the pedals are turned.

The motor does not, therefore, replace the work performed by your leg muscles, but assists them so they work less hard by enabling the electrical and electronic components supplied with the product, i.e. the battery, handlebar controls, sensors and control electronics (control unit).

More specifically, the electric motor is powered by a battery and managed by a control unit that handles the delivery of power and additional thrust provided to assist the effort made by the rider when pedalling based on the real-time reading of values detected by a series of pedal-assist sensors. These sensors are positioned on the outside of the frame or inside the components themselves and are based on the control parameters entered by the user via the handlebar controls (Display).

In accordance with the provisions of European Directive 2002/24/EC, the electric motor supplied with the electrically power assisted cycle, is only activated to assist the user when pedalling and will be disabled upon reaching a speed of 25 km/h.

The electrically power assisted cycle has been designed and manufactured to be ridden outdoors on public roads and cycling paths, on both tarmacked surfaces and/or ground that is suitable for the specific technical and structural features of the bike.

Any changes to its construction may compromise the behaviour, safety and stability of the electrically power assisted cycle and may cause an accident.

Any other types of use, or any extensions of use beyond the one intended, do not correspond to the intended use attributed by the manufacturer and the latter, therefore, disclaims all liability for any resulting damage.

The autonomy of the battery supplied with the electrically power assisted cycle and, therefore, the relevant distance data estimated in km, may vary significantly depending on the specific mode of use (total load transported, how hard the rider pedals the bike, level of electric pedal assistance detected, how often the rider departs and restarts), the mechanical and electrical conditions of the product (tyre pressure and wear, battery efficiency level) and external influences (slopes and road surface, atmospheric conditions).

Before each use, carefully check that the brakes are working correctly and are not worn; check the tyre pressure, the wear of the wheels and battery charge status.

Regularly check that the tightness of the various elements secured by bolts. The nuts and all the other self-tightening parts can become loose so, these components need to be periodically checked and tightened.

Like all mechanical components, the item is subject to wear and tear. Different materials and components may react to wear or stress fatigue in a variety of ways. If the useful life of a component is exceeded, it could break unexpectedly and injure the user. Any cracks, scratches or changes in colour in areas subject to high levels of stress indicate that the life of the component has been reached and must be replaced.



### Permitted speed

The maximum allowed legal speed is 25km/h.

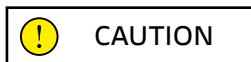
The control unit has been configured to prevent any change to the maximum speed permitted.

Any changes to the control unit which have not been authorised by the manufacturer will exclude the latter from any liability related to injury caused to persons and/or damage to property, and will invalidate the bike's warranty terms and conditions.



### Risk of injury

Ride at a speed and behave in keeping with your ability; never use the electrically power assisted cycle over 25Km/h as this could cause serious damage and injury to yourself or other people.



### Place of use

- The electrically power assisted cycle can be used outdoors providing there are no adverse weather conditions (rain, hail, snow, strong wind, etc.).
- Maximum permissible temperature: +40°C
- Minimum permissible temperature: +0°C
- Maximum permissible humidity: 80%

The environment of use must present a flat, compact, smooth asphalted surface, without any holes or dips, free of obstacles and oil stains.

The place of use must also be well lit by either natural or artificial light in order to ensure that the route and controls of the electrically power assisted cycle can be viewed correctly (recommended lighting 300 to 500 lux).

## Improper use and contraindications

The actions described below, which obviously cannot cover the entire range of potential possibilities of "poor use" of the electrically power assisted cycle, are to be considered strictly prohibited.



### It is strictly prohibited to:

Use the electrically power assisted cycle for uses other than the ones for which it has been manufactured.

Ride the electrically power assisted cycle if the rider's weight exceeds the permitted limit.

Use the electrically power assisted cycle under the influence of alcohol or drugs.

Use the electrically power assisted cycle in areas at a risk of fire, explosions or in places with a corrosive and/or chemically active atmosphere.

Use the electrically power assisted cycle in adverse weather conditions (heavy rain, hail, snow, strong wind, etc.).

Use the electrically power assisted cycle in poorly lit areas.

Ride across or remain on uneven or rough ground (bumpy roads with potholes, depressions, obstacles, etc.) to avoid the risk of falls and injury to the rider and damage to the bike.

Charge the battery in an environment that is either too hot or insufficiently ventilated.

Cover the battery while its charging.

Smoke or use open flames near the charging area.

Perform any type of maintenance work with the battery connected.

Insert limbs or fingers between the moving parts of the bike.

Touch the brakes immediately after use due to high temperatures.

Allow the electric and electronic components of the electrically power assisted cycle to come into contact with water or other liquids.

Modify or change the bike and its mechanical and electronic parts in any way to avoid the risk of structural damage, compromising efficiency and causing damage.

If any manufacturing defects occur or if any unusual noises or faults are detected, do not use the bike and contact your dealer or visit the [www.platum.com/en/ducati-urban-e-mobility/](http://www.platum.com/en/ducati-urban-e-mobility/) website

### Safety devices

It is strictly prohibited to modify or remove the safety devices for the battery, chain and other components installed on the bike, such as the warning and identification plates.

### 3. Packing list

- Pre-assembled DUCATI MG-20 E-BIKE
- Saddle + Seat post + Rear reflector (fig.A)
- Front mudguard (fig.B)
- Rear mudguard (fig.C)
- Rechargeable LED rear light (fig.D)
- USB charging cable for LED rear light battery
- Battery charger (fig.E)
- Allen wrench 4mm
- Battery lock/unlock key set (2 keys)



fig.A



fig.B



fig.C



fig.D



fig.E

## 4. Product overview



- |  |   |
|--|---|
| 1. Saddle                                | 20. Front tyre                          |
| 2. Seat post                             | 21. Front wheel                         |
| 3. Seat post clamp                       | 22. Front brake caliper (opposite side) |
| 4. Li-Ion Battery                        | 23. Front brake rotor (opposite side)   |
| 5. Rear mudguard                         | 24. Fork                                |
| 6. Rear tyre                             | 25. LED front light                     |
| 7. Rear wheel                            | 26. Handlebar stem lock/unlock lever    |
| 8. Rear brake caliper (opposite side)    | 27. Handlebar stem                      |
| 9. Rear brake rotor (opposite side)      | 28. Stem                                |
| 10. Motor                                | 29. Handlebar                           |
| 11. Cassette                             | 30. Rear wheel brake lever (right side) |
| 12. Rear derailleur                      | 31. Shifter                             |
| 13. Kickstand (opposite side)            | 32. LCD Display                         |
| 14. Chain                                | 33. Bell                                |
| 15. Chainring                            | 34. Front wheel brake lever (left side) |
| 16. Crank arm                            | 35. Frame opening/closing mechanism     |
| 17. Pedal                                | 36. Rear reflector                      |
| 18. PAS – cadence sensor (opposite side) | 37. Rechargeable LED rear light         |
| 19. Front mudguard                       | 38. Frame serial number                 |

## 5. Technical data sheet

### General information

Wheels	20" - 6 spokes black rim, Magnesium Pressure Casting
Fork	hard fork, Magnesium Pressure Casting
Brake system	front and rear mechanical disc brake - brake levers with cut-off sensor
Gear-shifting system	mechanical 6 speeds (1x6) - rear derailleur
Drivetrain	chain - chainring 44T - cassette 6 sprockets (14-16-18-21-24-28T)
Frame	foldable, Magnesium Pressure Casting
Full speed	25 km/h
Maximum load capacity (rider and load)	100 kg

### Electrical system

Lights	LED front
Display	LCD with assistance levels, On/Off light, odometer with related functions
Motor	36V, 250W, IP54, rear wheel hub
Battery	Li-Ion 36V, 10.5Ah, 378Wh integrated into the frame and removable
Battery charger	Input: AC 100V-240V 2.5A (Max) - Output: DC 42V 2.0A (Max)
Battery charging time	4/5 h

### Dimensions and Weights ( $\pm 5\%$ )

Battery weight	2.0 kg
E-bike weight w/o battery	18.5 kg
E-bike weight	20.5 kg
E-bike dimensions	1520 x 580 x 1070 mm
Packaging dimensions	830 x 420 x 665 mm

## 6. Assembly

Carefully remove the bike from the packaging\* and remove the protective material taking care not to damage the relevant aesthetic parts or force the cables and pre-assembled components.

\*The bike must be removed from the packaging by two adults to ensure that it is not damaged and avoid the risk of injury and/or crushing.

After aligning the front of the frame with the rear part by rotating them around the coupling hinge pin, tighten the lever on the frame opening/closing mechanism as follows:

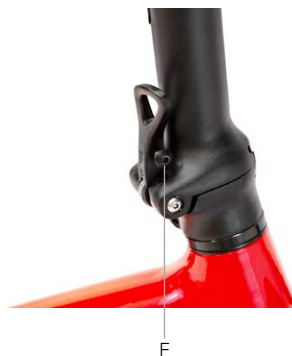
turn the lever of the frame opening/closing mechanism (A) in the direction of the front part of the frame, being sure to insert the locking device (B) of the lever in its seat (C) and push the lever ensuring its tightening through the relative lock device.



By pressing the release button of the opening/closing mechanism (D), pulling and turning it in the direction of the rear part of the frame, it will be possible to fold the frame.

## Positioning the handlebar stem

Raise the handlebar stem to the vertical position by holding the lock/release lever (E) in the lowered position and then tighten it by acting on the lock/release lever, turning it towards the handlebar stem.



Pressing the safety button on the handlebar stem locking/unlocking lever (F) it will be possible, by turning the lever downwards, to unlock and fold it.

## Handlebar installation

Position the handlebars stem frontally, aligning it with the frame and front wheel by turning the relative fastening screws to the handlebar stem (fig.A).



fig.A

Using the wrench with a 4 mm hexagonal Allen insert, gradually and alternately loosen the four fixing screws of the front panel on the end of the handlebars stem (fig.B) by turning them anticlockwise until they can be removed (fig.C).

Place the handlebars centrally in the dedicated housing on the handlebars stem body (fig.D) and position the previously removed handlebars stem front panel in its original seat, inserting and tightening lightly (turning clockwise) and alternately the fastening screws to set the desired handlebars positioning.

Complete the installation of the handlebars by tightening the screws in the sequence indicated until they are fully tightened (fig.E).



fig.B



fig.C



fig.D



fig.E

## Installing and positioning the seat post

Insert the seat post into the seat tube of the frame and, after positioning the saddle correctly, secure the seat post firmly using the special clamping device (seat post clamp) on the frame.

Loosen the quick-clamping seat post clamping mechanism (quick-release seat post collar), which secures the seat post to the frame's seat tube, allowing the seat post to be pulled out and/or inserted until the desired saddle height has been achieved, taking care to make sure that the saddle is aligned with the centre line of the bike frame.

Complete the operation by tightening the seat post collar to ensure that the seat post is secured to the frame's seat tube.



### Minimum insertion limit of the seat post

It is strictly forbidden to remove the seat post from the seat tube of the frame beyond the minimum insertion limit indicated on it in order to avoid the risk of structural damage on the cycle (frame and/or seat post) and run into serious injuries.

The seat post is deemed to be correctly and safely positioned inside the seat tube of the frame by inserting it so that no markings and/or graphic indication of the minimum insertion limit can be seen.

### Rear light installation

The rear LED light supplied with the product, with built-in rechargeable battery with USB charging cable, can be installed on the seat post and manually activated and/or deactivated using the dedicated button on the light itself.

### Mudguard installation (optional)



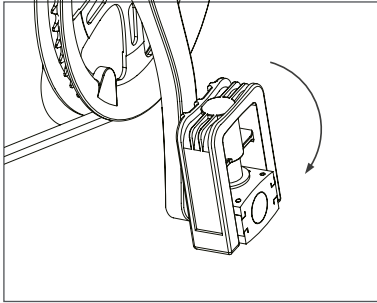
Front mudguard



Rear mudguard

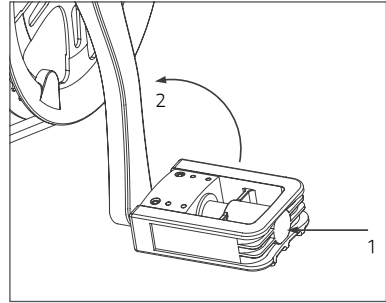
## Pedals

Pedal opening



Grip the pedal body and turn it outwards.

Pedal closure



Press the pedal towards the crank arm and turn it inwards.

## Pedal removal

Remove the pedal on the right side of the cycle using a 15mm wrench, turning it anti-clockwise (turn in the direction of the rear wheel).

Remove the pedal on the left side of the cycle using a 15mm wrench, turning it clockwise (turn in the direction of the rear wheel).

## Installing the pedals

Locate the right pedal (marked with the letter R) and left pedal (marked with the letter L).

Install the right pedal (R) by inserting the threaded pin of the pedal into the corresponding crank arm on the right side of the bike and screwing it clockwise (turn it towards the front wheel) until it is tightened using a 15mm fixed wrench.

Install the left pedal (L) by inserting the threaded pin of the pedal into the corresponding crank arm on the left side of the bike and screwing it anticlockwise (turn it towards the front wheel) until it is tightened using a 15mm fixed wrench.



**CAUTION**

## Battery key set

The product includes the exclusive supply of 2 wrenches uniquely associated with the key lock on the battery to allow relative locking to and/or unlocking from the frame.

Keep the keys in a safe place, taking care not to lose them as it would then not be possible to remove the battery from the frame.

Do not use the product while keeping the key inserted in the lock on the frame in order to avoid the risk of theft or accidental damage caused by any shocks.



## CAUTION

Regularly inspect and check the correct tightening of the various bolted parts, fixing screws, quick-clamping mechanisms (quick-release) and through-axles, and also perform a general check to make sure that all parts are as expected.

The nuts and all the other self-tightening parts can become loose so, these components need to be periodically checked and tightened.

The values of the recommended tightening torques for fastening the specific components present on the product can be identified in correspondence with the relative elements.

A correct tightening torque (screws, bolts, nuts) is essential for safety. If not enough force is applied, the seal is not ensured. An excessive force can damage the threads or cause elongation, deformation or breakage of the fixing device. In both cases, a wrong tightening torque can cause losses of control and falls.

Where indicated, check that every screw is tightened to the specified torque.

After the first use, and then in a regular manner, recheck the tightening of each screw in order to ensure a safe fixing of components.

Verification of the correct tightening of the components through lever systems (quick clamping mechanisms), regulated by acting on the clamping nut and not on the locking lever of the mechanism, in the absence of technically precise indications of the relative values, can take place by testing that the relative component being fastened is not mobile and/or unstable if subjected to a forceful attempt at removal and/or extraction and by checking that the tightening lever has adequate resistance in the closing phase (such as to leave a mark on the palm of the hand used to tighten the lever, so-called "imprint on palm")

and, after closing, a considerable force is required to allow relative opening.

The possibility of moving the locking lever of the mechanism by exerting minimal manual pressure indicates an insufficient locking condition requiring further tightening of the adjustment nut.



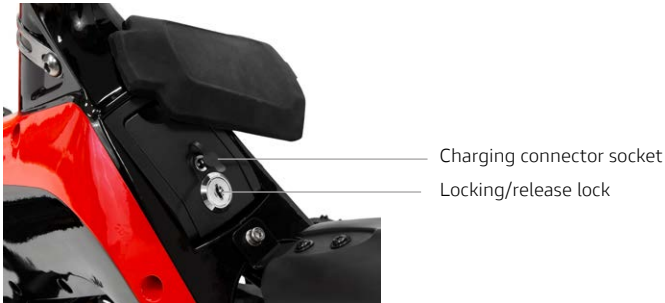
## CAUTION

### Negative check

If, during assembly and commissioning, you should encounter factory defects, unclear steps or find it difficult to assemble some parts, do not ride the electrically power assisted cycle and contact your authorised dealer's Service Centre or visit the website [www.platum.store/en/assistance](http://www.platum.store/en/assistance) for support.

## 7. Battery

The electrically power assisted bicycle starts and powers its electrical and electronic functions through the lithium-ion battery supplied with the product, correctly recharged and installed.



### Battery removal and insertion

The battery can be removed from the bicycle frame to prevent theft, to recharge it or to store it in optimal condition.

Insert the key supplied into the lock on the battery and, after turning the key clockwise to the release position, remove the battery from its seat by sliding it upwards using the relative handle supplied.



Insert the battery in its seat - integrated into the frame of the cycle - by securing it to the same by turning the key anti-clockwise until the locking position is reached. Check that the battery is correctly installed and secured by trying to pull it out and/or making sure that it is securely fastened to the frame and does not move.



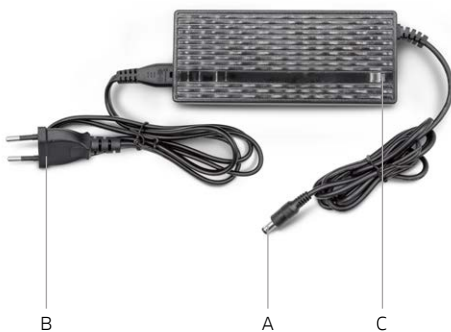
## CAUTION

Before using the electrically power assisted cycle for the first time, the battery must be fully charged using the battery charger supplied. The average time required to fully charge the battery, which varies depending on the battery's remaining charge level, can be estimated to be up to 4/5 hours.

We recommend charging the battery with the specific battery charger after each use of the electrically power assisted cycle.

### Battery charge procedure

Only use the battery charger provided or an approved model with the same technical specifications, taking care to observe the same methods and precautions of use indicated on the charger or in the manual.



- A. Charging connector
- B. Network cable pin
- C. Battery charge state LED light

Make sure that the battery charger, the charging connector, the battery charger connector socket and the mains cable plug are dry.

Plug the battery charger's charging connector into the battery charging connector socket, then connect the mains cable plug from the mains socket (220V-240V ~ 50/60Hz).

There is a red indicator light when the battery is charging. When the indicator light turns green, it signals that the battery charging cycle has been completed.

Unplug the battery charger's charging connector from the battery charging connector socket and disconnect the mains cable plug from the mains socket to end the charging procedure.



## CAUTION

Using a battery charger that differs from the one supplied, which is not suitable or approved, to charge the e-bike battery may damage it or involve other potential risks.

Never leave the e-bike unsupervised while it is charging.

Do not switch on or ride the e-bike during charging. Keep out of the reach of children during charging.

Do not place anything on top of the battery charger during use; do not allow any liquid or metal to get inside the battery charger.

The battery charger heats up during the battery charging cycle.

Do not charge the battery immediately after use. Allow the battery to cool down before charging it.

The item should not be charging for extended periods. Overcharging reduces battery life and poses additional potential hazards.

Do not allow the battery to completely discharge to avoid damaging it and causing it to lose efficiency. Damage caused by the battery being left uncharged for a long period is irreversible and is not covered by the limited warranty. Once the damage has occurred, the battery cannot be recharged (the battery must not be dismantled by unqualified personnel, as this could lead to electric shocks, short circuits or even major safety incidents). Charge the battery at regular intervals (at least once every 3-4 weeks), even if the electrically power assisted cycle has not been used for an extended period.

Charge the battery in a dry environment, away from flammable materials (e.g. materials that may burst into flame), preferably at an indoor temperature of 15-25°C, but never below 0°C or above + 45°C.

Carry out regular visual inspection of the charger and charger cables. Do not use the battery charger if it is damaged.

### **Autonomy and battery duration**

The autonomy of the battery supplied with the electrically power assisted cycle and, therefore, the relevant distance data estimated in km, may vary significantly depending on the specific mode of use (total load transported, how hard the rider pedals the bike, level of electric pedal assistance detected, how often the rider departs and restarts), the mechanical and electrical conditions of the product (tyre pressure and wear, battery efficiency level) and external influences (slopes and road surface, atmospheric conditions).

The capacity and performance of the battery will decrease over time due to the electrochemical deterioration of the battery cells.

It is impossible to predict its duration with accuracy, since it depends above all on the type of use and stress to which it is subjected. To promote the longevity of the battery, it is advisable to store it in a

dry environment and protected from direct exposure to sunlight and preferably at an internal temperature of 15-25°C, but never lower than 0°C or higher than + 45°C. Ideally recharge the battery at room temperature and avoid overload or its complete discharge during use and recharging the battery at regular intervals even if the electrically power assisted cycle is not used for a prolonged period (at least once every 3/4 weeks). Cold, in general, decreases battery performance. If used during the winter, the battery should be charged and stored at room temperature and inserted in the electrically power assisted cycle only shortly before it is used.



### **Battery warnings**

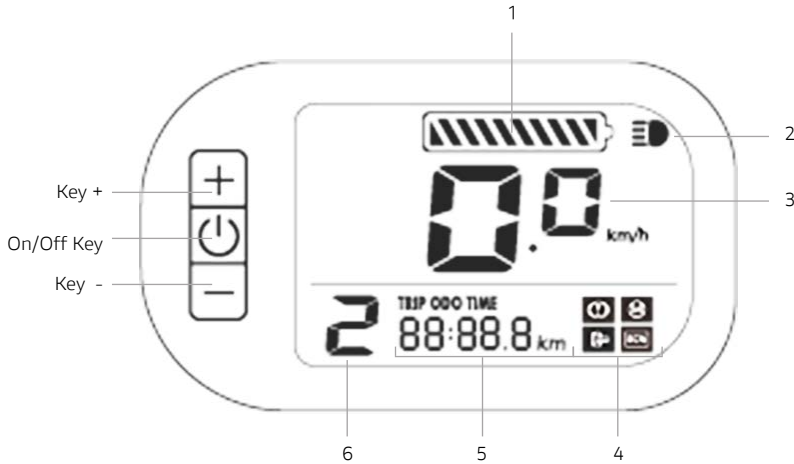
The battery consists of lithium-ion cells and chemical elements that are hazardous to health and the environment.

- Do not use the item if it emits odours, substances or excessive amounts of heat.
- Do not dispose of the item or the battery with household waste.
- The end user is responsible for the disposal of electrical and electronic equipment and batteries in compliance with all applicable regulations.
- Avoid used, defective and/or non-original batteries of other models or brands.
- Do not leave the battery near fire or heat sources. Fire and explosion hazard.
- Do not open the battery or take it apart. Do not strike, throw, or puncture the battery or attach objects onto it.
- Do not touch any substances leaking from the battery, as they are deemed hazardous.
- Do not allow children or pets to touch the battery.
- Do not overcharge or short-circuit the battery. Fire and explosion hazard.
- Never leave the battery unattended during recharging. Fire hazard! Never touch the charging socket with metal objects.
- Do not immerse or expose the battery to water, rain or other liquids.
- Do not expose the battery to direct sunlight, excessive heat or cold (for example, do not leave the item or battery in a car in direct sunlight for extended periods of time), or environments containing explosive gases or flames.
- Do not carry or store the battery with metal objects such as hairpins, necklaces, etc. Contact between metal objects and battery contacts may cause a short circuit resulting in physical injury or death.

## 8. Display

The electrically power assisted cycle is equipped with a control device located on the handlebars, an LCD display, powered by the battery supplied with the product, which allows the user to check the data and manage all the product's electrical and electronic functions.

### Overview of controls and symbols



1. Indicator light for residual battery charge
2. Front LED light activation indicator
3. Digital speedometer: instantaneous indicator of speed detected during use
4. System lights
5. Usage data display (TRIP - ODO - TIME)
6. Selected power assistance level indicator

## Function description

Powering On/Off:

press the On/Off key to turn the LCD display on or off and to allow system activation or deactivation.

Selecting the Power Assistance Level:

briefly press the + or - button to increase or decrease the power assistance level provided by the motor.

There are between 1 and 3 selectable levels of pedal assist. Select level 1 to set the mode that provides the minimum power electric assistance provided by the motor.

Select level 3 to set the mode that provides the maximum power electric assistance provided by the motor.

Pressing the - key until level 0 is selected disables the activation of the power electric assistance.

Front light on/off:

press the + button for at least 3 seconds to turn the front light on or off.

Usage data display (TRIP - ODO - TIME):

briefly press the On/Off key to select and view in succession the specific usage data of the electrically power assisted cycle available relating to:

- TRIP = display of partial distance travelled
- ODO = display of total distance travelled
- TIME = display of usage duration data

Indicator light for residual battery charge level:

The battery charge level is shown on the display screen as a number of dashes between 0 and 10.

If there are 10 dashes, it means that the battery is charged to the maximum percentage defined and detected instantly.

Less dashes are shown to indicate a decrease in the battery charge level available and subsequent autonomy.

The individual dashes indicate the specific battery charge range detected at the time and do not necessarily indicated a percentage of the residual autonomy.

The level of the battery charging indicator may fluctuate depending on how the electrically power assisted cycle is being used, for example, when going up a slope, the level displayed can drop rapidly as there is a much higher battery consumption.

System lights:

see Chapter 12 of the Manual for information.

## 9. First start-up

Before using the pedal-assisted bicycle, in addition to verifying the state of charge and correct installation of the battery, to allow an adequate start-up and ensure efficient and safe use of the product, it is always appropriate to carefully check each part by carrying out the necessary adjustment of the related mechanical components, directly or with the support of specialized operators, see: adjustment and tightening of the saddle and seatpost channel, adjustment and tightening of the handlebar and handlebar attachment, adjustment of brakes, adjustment of gearbox, chain and gear lubrication, wheel and tyre pressure verification, general verification of the correct tightening of the fixing screws, quick release and through pins as well as a general check that all the parts are in order.

### **Saddle**

The position on the bicycle is very important to ensure the optimal comfort when using the bike, correct pedalling and to avoid any safety problems.

It is, therefore, important that the saddle and the seat post are positioned and adjusted to suit the rider.

To adjust the height of the saddle, the clamp that secures the seat post in the frame must be loosened and either raised or lowered as needed, taking care not to pull it out beyond the limit indicated to avoid the risk of breaking the frame. Once the best position has been found in compliance with the precautions for extracting the seat post, secure it by tightening the relevant clamp until it is correctly tightened to prevent it from moving and/or becoming unstable.

Generally speaking, the best way to adjust the height of the saddle is to check that when your foot is placed on the pedal at its lowest point, your leg is almost completely extended.

To adjust the advancement and inclination (if present) of the saddle, loosen the relevant fastening system in the seat post bracket, allowing the desired position to be set, and then re-tighten the fastening system correctly to prevent play and movement.

### **Handlebar**

To adjust the angle of the handlebars, loosen the clamp on the stem, rotate the handlebars until the desired position is reached and secure it by tightening the clamp until it can no longer be moved.

### **Brakes**

The braking system installed on the product includes or mechanical disc brakes that can be activated on the front wheel and on the rear wheel via the respective levers located on the handlebars.

The brake lever on the right side of the handlebar activates the rear brake and stops the rear wheel whereas the brake lever on the left side of the handlebar activates the front brake and stops the front wheel.

The front and rear brake levers must be positioned and adjusted so they are comfortable to use and favour the natural position of the hand and fingers used to pull them, thus minimising the force and amount of time required to pull the brake lever whilst ensuring that the brake is applied evenly.

Brake levers installed are individually equipped with a device (cut-off sensor), which immediately electronically disconnects the drive action of the motor when the brake lever to which it is connected is operated.

Check the operation of the brakes with a low speed brake test (max 6km/h) in an obstacle-free zone.

As the brake pads on the callipers become worn and their thickness is reduced, the brake lever will have to be pulled further to exert the same braking force to compensate for this type of wear, the brake cable adjustment ring located behind the corresponding lever will need to be adjusted to restore optimal braking conditions; if the brake pads are very worn, they must be replaced.

### **Gear-shifting system and drivetrain**

The cable gear change system supplied with the product is indexed and allows you to change the gear ratio and pedal stroke metrics by adjusting the control device on the handlebar, determining the sideways movement of the chain on the corresponding sprocket of the cassette installed on the rear wheel via the derailleur.

Make sure the gear change and its adjustment are correct and that the chain and drive gears are clean and properly lubricated.

### **Wheels and tyres**

Check the correct centring, correct installation and tightening of the wheels.

Check the presence and correct installation of the reflectors.

Check the condition and state of wear of the tyres: there must be no cuts, cracks, foreign bodies, abnormal swelling, visible canvases and other damage.

Check the tyre pressure by referring to the specific range of minimum and maximum values shown on the side of the tyre (suitable pressure must be customised according to the weight being carried, the weather conditions and road surface).

Properly inflated tyres, in addition to improving wheel slip, reduce the risk of punctures and deterioration.

## 10. Storage, maintenance and cleaning

To ensure and maintain a good level of safety and functionality of the bike, it must be regularly checked and periodically serviced.

Some checks and servicing tasks can be carried out directly by the user or anyone who has basic mechanical skills, ability and access to the right tools.

Other operations require the expertise and specific tools of a qualified operator.

The dealer will be able to provide all the information about the checks which can be carried out directly by the user and suggest which routine maintenance tasks should be periodically carried out based on how frequently the bike is used and the conditions of its use.

All the maintenance operations must be performed with the battery detached and the bike resting on the kickstand. The different parts that make up the bike are subject to various types of wear from use.

In particular, the following components should be regularly checked and serviced: tyres, wheels, brakes, gear-shifting system, chain and frame.

The tread of the **tyres** installed on the bike is liable to be consumed which can be accentuated by how and where it is used. The rubber of the tyres also tends to harden over time.

The correct pressure of the inner tube in the tyres should be constantly checked to reduce the risk of punctures, limit deterioration and ensure safer use and performance of the bike.

Periodically inspect the state of wear and ageing/deterioration of the tyres and replace the tyres, if necessary, with ones that have the same characteristics.

The integrity of the rims supplied with the bike must be constantly checked to make sure that they are not deformed, cracked or dented and/or show any other signs of corrosion and damage that require them to be replaced for safety reasons.

To ensure the maintenance of a good level of operation of the **brakes**, in addition to regularly checking the state of wear and integrity of the discs and callipers, periodically replace the brake pads installed on the relative callipers to reach a thickness of not less than 1mm.

If the bike is fitted with mechanical disc brakes, the state of wear and tear of the steel cables on the inside the braking system sheaths must be periodically checked and replaced to prevent the risk of breakage.

If the bike is fitted with hydraulic disc brakes and there is a decrease in braking efficiency, the mineral oil in the hydraulic system circuit must be drained and replaced.

The correct functioning of the electrically power assisted cycle transmission is guaranteed by adequate maintenance and adjustment of the relevant components.

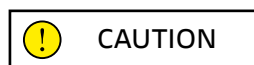
The **gear-shifting system** cable supplied with the product, which undergoes constant stress during use and operation as a result of mechanical tension, may easily lose its adjustment setting. The correct operating conditions of the indexed rear derailleur are guaranteed by adjusting the derailleur (stop screws) and adjusting the gear change cable.

The **chain** and the relevant drive gears are subject to wear due to use and must be regularly cleaned and lubricated with specific products (drip or spray, dry or wet) adapted to the season and methods of use of the product and periodically replaced in order to guarantee their integrity and ensure they run smoothly and quietly.

Lubricate the parts in question only after they have been properly cleaned and degreased. Then, remove any excess lubricant if oily lubricants have been used.

The bike **frame** must be inspected regularly to exclude the presence of any signs of cracking and/or so-called "material fatigue" so that any intervention required to reduce and/or eliminate the risk of damage and/or breakage can be promptly performed.

Each part of the fastening mechanisms on the bike should be carefully inspected and a preventive and periodic general check performed of the correct tightening of the self-tightening nuts and fastening screws which may lose their efficiency through use and over time.



All the controls must be checked to ensure they work correctly after every routine maintenance intervention.

### **Maintenance notes**

Every maintenance job must take place with the battery disconnected.

During each maintenance phase operators must be equipped with the necessary accident prevention equipment. The tools used for maintenance must be suitable and good quality.

Do not use petrol or flammable solvents as cleaning agents but always use non-flammable and non-toxic solvents. Limit the use of compressed air as much as possible and protect yourself with goggles with side shields.

Never use naked flame as a means of lighting when carrying out checks or maintenance work.

After each maintenance or adjustment job ensure that no tools or foreign bodies remain inside the organs of movement of the assisted pedal bike.

This manual does not provide in-depth information regarding disassembly and extraordinary maintenance, as these operations must always be carried out exclusively by the authorized dealer's Support Service personnel.

The Assistance Service is able to provide all the indications and to respond to all the requests to take care of and keep your pedal-assisted bicycle perfectly efficient.



## CAUTION

### Cleaning

Cleaning the electrically power assisted cycle is not only a matter of decorum, but also allows any defects to be detected immediately.

The battery must be detached and removed in order to wash the bike, preferably using a sponge and/or a soft cloth and water, with the possible addition of a specific neutral detergent and taking particular care when handling the electronic parts.

It is strictly forbidden to aim pressurised water jets at the various electrical parts, the motor, display and battery. After washing, it is important to dry all the washed components, as well as the frame and the braking surfaces with a second soft cloth and/or dry completely with low pressure compressed air and check that no residual moisture has remained on the electrical components.

If there are stains on the body of the scooter, wipe with a damp cloth. If the stains persist, apply neutral soap, brush out with a toothbrush, then wipe with a damp cloth.

Do not clean the items with alcohol, petrol, paraffin or other corrosive or volatile chemical solvents to prevent severe damage.



## DANGER

**All the cleaning operations of the electrically power assisted cycle must be performed with the battery removed.**

Water seeping into the battery may cause damage to internal circuits and risk of fire or explosion. Should you suspect that water may have entered the battery, stop using the battery immediately and return it to your dealer's after-sales service for checking.

### Preservation and storage

If the electrically power assisted cycle needs to be stored and will not be used for extended periods of time, it must be kept in a dry, cool, closed space, that is ventilated if possible. The following operations should also be carried out:

- Carry out a general cleaning of the electrically power assisted cycle.
- Remove the battery supplied with the electrically power assisted cycle from its housing; use the key or switch (if present) to deactivate it, store it in a dry environment, away from flammable materials (for example materials that may explode in flames), preferably at an internal temperature of 15-25 °C (the temperature must never drop below 0 °C or exceed + 45 °C), and perform periodic charging cycles to prevent the voltage level of the same from dropping excessively, which may cause damage and loss of efficiency.
- Protect exposed electrical contacts with antioxidant products.
- Grease all surfaces not protected by anti-corrosion paints or treatments.



**CAUTION**

Do not keep or store the bike outdoors or inside a vehicle for a prolonged period of time. Excessive sunlight, overheating, and excessive cold accelerate tyre ageing and jeopardize the life of both the item and the battery. Do not expose it to rain or water or immerse it in water to wash it.

### **Lifting**

The weight of the electrically power assisted cycle means it must be lifted by two adults taking extra care to avoid the risk of personal harm (crushing and injury) or damage to property (knocks and impacts).



**DANGER**

### **Transportation**

To ensure the safe transport of the pedal-assisted bicycle, inside the passenger compartment of the vehicle used for transport or outside (e.g. bicycle carrier), in addition to providing for the preventive removal of the battery and the accessory components installed on it, perform the relative anchoring through the use of appropriate fastening materials (bands or cables) and coupling devices in good condition and installed so as not to damage the frame, cables and other parts of the product.

It is the user's responsibility to ascertain the suitability of the equipment used to transport the bike by fitting and installing devices (e.g. bike racks) in accordance with the legal requirements of the country in which it is ridden.

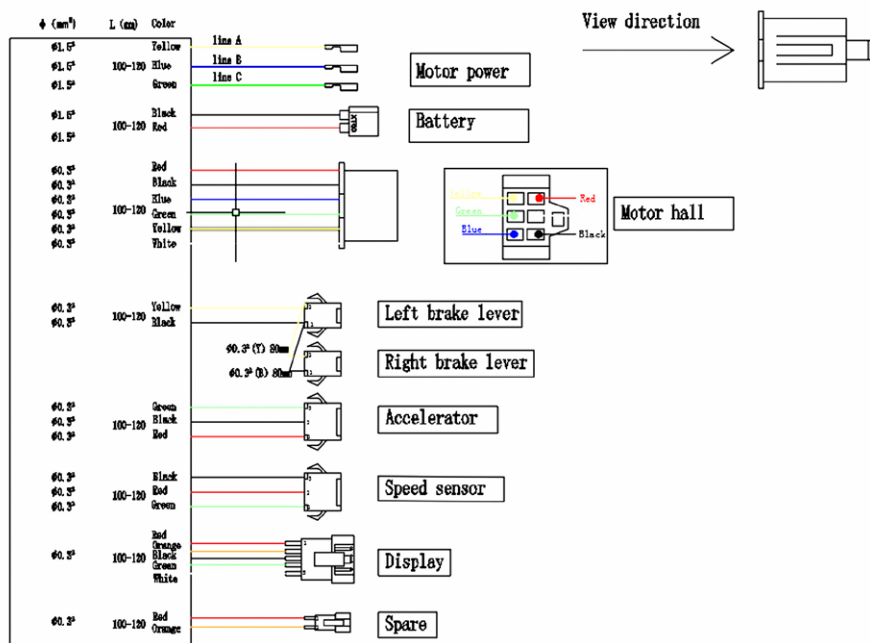


**CAUTION**





The manufacturer is not liable for any breakages caused by lifting and/or transporting the electrically power assisted cycle after delivery.

# 11. Connections diagram

## 250W Controller



## 12. Troubleshooting

Display Indicator	Reasons	Solutions
Brake 	Indicates that the brake is engaged	/
	Brake lever does not return to normal position	Press brake lever some times to let it return. Replace with new brake lever
Accelerator fault 	Accelerator cable, accelerator or connector is broken/damaged	Replace with new cable, accelerator
	Connectors between accelerator and controller are not well connected	Reconnect well
Motor fault 	Motor is not working	Replace with new motor
	Cables or connector is broken/damaged	Replace with new cable
	Motor hall cable is not connected well or connected wrong	Reconnect well
Controller fault 	Controller is broken	Replace with new controller

## 13. Liability and general terms of warranty

The rider assumes all liability for any injury when not wearing a helmet or other protective devices. The driver must respect current local regulations regarding:

1. the minimum age allowed for the rider,
2. restrictions on the types of drivers who can use the product
3. all other regulatory aspects

The driver must always keep the product clean and in a perfect state of efficiency and maintenance, diligently perform the safety checks he/she is responsible for as described in the previous section, not tamper with the product in any way and keep all the maintenance documents.

The company shall not be liable for any damages caused and is in no way responsible for damages caused to property or persons when:

- the item is used incorrectly or in a manner that does not comply with the instructions of the user guide;
- following purchase, the item is modified or tampered with in all or some of its components.

In case of malfunction of the product for reasons not attributable to improper behaviour of the rider, and in case you want to consult the general terms of warranty, please contact your dealer or visit the website [www.platum.com/en/ducati-urban-e-mobility/](http://www.platum.com/en/ducati-urban-e-mobility/)

The Legal Guarantee never covers any Product faults or malfunctions caused by accidental events and/or events attributable to the Purchaser, or due to use of the Product in non-compliance with its intended use and/or with the provisions of

the technical documentation attached to the Product, or due to failure to regulate mechanical parts, the natural wear of consumable materials, or due to assembly errors, lack of maintenance and/or use of said product in non-compliance with the instructions.

For example, the following are to be considered excluded from the statutory guarantee regarding products:

- damage caused by impacts, accidental falls or collisions, punctures;
- damage caused by use, exposure or storage in an unsuitable environment (e.g. presence of rain and/or mud, exposure to humidity or excessive heat, contact with sand or other substances);
- damage caused by failure to adjust for road use and/or maintenance of mechanical parts, mechanical disc brakes, handle- bars, tyres, etc.; incorrect installation and/or assembly of parts and/or components;
- the natural wear and tear of consumable materials: mechanical disc brakes (e.g. pads, callipers, rotors, cables), tires, stands, gaskets, bearings, led lights and bulbs, kickstand, knobs, mudguards, rubber parts, wiring cable connectors, grilles and stickers, etc.;
- improper maintenance and/or improper use of the bike battery;
- tampering with and/or forcing parts of the product;
- incorrect or inadequate maintenance or alteration of the product;

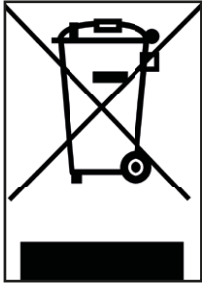
- improper use of the product (e.g.: excess load, use in competitions and/or for commercial or rental activities);
- maintenance, repairs and/or technical interventions on the product carried out by unauthorised third parties;
- damage to the products resulting from transport, if carried out by the purchaser;
- damage and/or defects resulting from the use of non-original parts.

We recommend that you consult the most up-to-date version of the warranty terms and conditions available on the website [www.platum.store/en/assistance](http://www.platum.store/en/assistance)

## 14. Information on disposal



**Handling of the electrical or electronic device at the end of its service life (applicable in all European Union countries and in other European systems with separate collection systems)**



This symbol on the product or packaging indicates that the product should not be considered as normal household waste, but should be taken to a facility authorised to dispose of waste from electrical and electronic equipment (WEEE).

By ensuring the item is disposed of correctly, you will help prevent potential negative consequences for the environment and human health, which may otherwise be caused by inappropriate disposal.

Recycling materials will help to preserve natural resources.

For more detailed information about the recycling and disposal of this item, you can contact the local waste disposal service or the point of sale where you purchased it.

In any case, disposal must be carried out in accordance with the legislation in force in the country of purchase.

More specifically, consumers must not dispose of WEEE as municipal waste, but must dispose of this type of waste separately, in one of two possible ways:

- By taking it to municipal collection centres (also called eco-collection centres or recycling facilities), directly or through the collection services of municipal companies, where available.
- By taking it to shops selling new electrical and electronic equipment.

Here, very small items of the WEEE type (with the longest side less than 25 cm) can be left free of charge, while larger ones can be left on a 1-for-1 basis, i.e., you can leave the old item when you buy a new one having the same function.

Moreover, the 1-on-1 mode is always guaranteed when the consumer purchases a new EEE, regardless of the size of the WEEE.

In the event of improper disposal of electrical or electronic equipment, the specific sanctions provided for by current legislation on environmental protection may be applied.

If the WEEE contains batteries or accumulators, they must be removed and subjected to specific separate collection.



## CAUTION

**Treatment of spent batteries (applicable in all countries of the European Union and in other European systems with separate collection system)**



This symbol on the product or packaging indicates that the battery pack should not be treated as normal household waste. On some types of batteries, this symbol may be used in combination with a chemical symbol.

The chemical symbols for mercury (Hg) or lead (Pb) are added if the battery contains more than 0.0005% mercury or 0.004% lead.

By ensuring that the batteries are disposed of correctly, you will help prevent potential negative consequences for the environment and human health, which may otherwise be caused by inappropriate disposal. Recycling materials will help to conserve natural resources.

In the case of products which, for safety, performance, or data protection purposes require a fixed connection to an internal battery, said battery should only be replaced by qualified service personnel.

Deliver the product at the end of its service life to collection centres suitable for the disposal of electrical and electronic equipment: this ensures that the battery inside it is also treated correctly.

For more detailed information about disposal of the dead battery, contact the local waste disposal service or the shop where it was purchased.

In any case, disposal must be carried out in accordance with the legislation in force in the country of purchase.

# **MG-20**

foldable e-bike

## Manuale d'uso e manutenzione

Prima di utilizzare la bicicletta, questa deve essere montata in modo corretto e controllata in tutte le sue parti. Eventuali danni dovuti ad un montaggio o una manutenzione errata non sono coperti dalla garanzia.

Per ulteriori informazioni o per richiedere un supporto tecnico e assistenza, contattare il rivenditore, oppure visitare il sito web

[www.platum.com/ducati-urban-e-mobility/](http://www.platum.com/ducati-urban-e-mobility/)

Per i ricambi vai al sito [www.platum.store](http://www.platum.store)

1. Introduzione
2. Avvertenze su uso e sicurezza
3. Contenuto della confezione
4. Panoramica del prodotto
5. Specifiche tecniche
6. Assemblaggio
7. Batteria
8. Display
9. Messa in servizio
10. Conservazione, manutenzione e pulizia
11. Diagramma delle connessioni
12. Risoluzione dei problemi
13. Responsabilità e termini generali di garanzia
14. Informazioni sullo smaltimento

# 1. Introduzione

## Generalità

Questo manuale costituisce parte integrante ed essenziale della bicicletta a pedalata assistita (EPAC).

Prima della messa in funzione, è indispensabile che gli utilizzatori leggano, comprendano ed eseguano scrupolosamente le disposizioni che seguono.

L'azienda non risponde dei danni causati e non è in alcun modo responsabile dei danni provocati a cose o persone nelle fattispecie in cui:

- il prodotto venga utilizzato in modo improprio o non conforme a quanto riportato nel manuale di istruzioni;
- il prodotto, in seguito all'acquisto, venga alterato o manomesso in tutti o in alcuni dei suoi componenti.

Nell'ottica del continuo sviluppo tecnologico, la casa costruttrice si riserva di modificare il prodotto senza preavviso e senza che sia automaticamente aggiornato questo manuale. Per informazioni e per consultare le eventuali revisioni di questo manuale visita il sito [www.platum.com/ducati-urban-e-mobility/](http://www.platum.com/ducati-urban-e-mobility/)

## Servizio assistenza

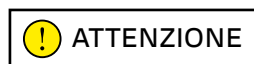
Per qualunque inconveniente o richiesta di chiarimento contattate senza esitazioni il Servizio Assistenza del Suo Rivenditore autorizzato che dispone di personale competente e specializzato, attrezzature specifiche e ricambi originali.

## Nota legale sull'utilizzo

Verificare e rispettare il codice della strada e le normative locali di circolazione vigenti in materia ciclistica in relazione alle restrizioni sulla tipologia dei conducenti che possono utilizzare il prodotto ed all'utilizzo stesso di questo tipo di prodotto.

## Forma grafica delle avvertenze di sicurezza

Per identificare i messaggi di sicurezza nel presente manuale, saranno utilizzati i seguenti simboli grafici di segnalazione che hanno la funzione di attirare l'attenzione del lettore / utilizzatore ai fini di un uso corretto e sicuro della bicicletta a pedalata assistita.



## Prestare attenzione

Evidenzia le regole da rispettare per evitare di danneggiare la bicicletta a pedalata assistita e/o impedire il verificarsi di situazioni pericolose.



## Rischi residui

Evidenzia la presenza di pericoli che causano rischi residui ai quali l'utente deve prestare attenzione per evitare lesioni o danni materiali.

## 2. Avvertenze su uso e sicurezza

### Regole generali per la sicurezza

Anche se si è già pratici nell'uso della bicicletta a pedalata assistita, è necessario seguire le istruzioni qui riportate, oltre alle precauzioni di carattere generale da osservare durante la guida di un mezzo a motore.

È importante dedicare il tempo necessario per imparare le basi della pratica del prodotto per evitare qualsiasi incidente grave che possa aver luogo nelle prime fasi di utilizzo. Rivolgersi al proprio rivenditore per ricevere adeguato supporto in merito alle corrette modalità di utilizzo del prodotto o per essere indirizzato presso un'organizzazione di formazione appropriata.

L'Azienda declina ogni responsabilità diretta o indiretta derivata dal cattivo utilizzo del prodotto, inadempienze tanto relative alle normative stradali quanto alle istruzioni di questo manuale, incidenti e controversie causate dal mancato rispetto delle normative e da azioni illegali.

Questo prodotto deve essere utilizzato per scopi ricreativi, non può essere utilizzato da più di una persona contemporaneamente e non deve essere utilizzato per il trasporto passeggeri.

Non cambiare in alcun modo la finalità di utilizzo del veicolo, questo prodotto non è adatto a fare acrobazie, competizioni, trasportare oggetti, trainare altri veicoli o appendici.

Il livello di pressione sonora di emissione ponderato A all'orecchio del conducente è inferiore a 70 dB(A).



### Uso della bicicletta a pedalata assistita

Ogni utilizzatore deve aver prima letto e compreso le istruzioni e le informazioni presenti nel manuale.

Nel caso in cui, in occasione dell'assemblaggio, si rilevasse qualche difetto di fabbrica, dei passaggi non chiari o difficoltà nell'assemblaggio stesso o nelle regolazioni, non guidare il veicolo e contattare il proprio rivenditore o visitare il sito

[www.platum.com/ducati-urban-e-mobility/](http://www.platum.com/ducati-urban-e-mobility/) per ricevere assistenza tecnica.



### Rischi connessi all'uso della bicicletta a pedalata assistita

Nonostante l'applicazione dei dispositivi di sicurezza, per un uso sicuro della bicicletta a pedalata assistita si deve prendere nota di tutte le prescrizioni relative alla prevenzione degli infortuni riportate in questo manuale.

Rimanere sempre concentrati durante la guida e non sottovalutare i rischi residui connessi all'uso della bicicletta a pedalata assistita.



## Responsabilità

Il conducente ha l'obbligo di usare la bicicletta a pedalata assistita con la massima diligenza e nel pieno rispetto del codice della strada e di tutte le norme in materia ciclistica vigenti nel Paese di circolazione.

È importante tenere presente che quando ci si trova in un luogo pubblico o sulla strada, anche seguendo questo manuale alla lettera, non si è immuni da lesioni causate da violazioni o azioni inappropriate intraprese nei confronti di altri veicoli, ostacoli o

persone. Il cattivo utilizzo del prodotto o il mancato rispetto delle istruzioni di questo manuale possono provocare seri danni.

Il conducente ha altresì l'obbligo di mantenere pulito ed in perfetto stato di efficienza e di manutenzione la bicicletta a pedalata assistita, di eseguire diligentemente i controlli di sicurezza di sua competenza oltre che di conservare tutta la documentazione relativa alla manutenzione del prodotto.

Il conducente deve valutare attentamente le condizioni atmosferiche che potrebbero rendere pericoloso l'utilizzo della bicicletta a pedalata assistita.

Questo prodotto è un veicolo, pertanto, più velocemente si guida, più lo spazio di frenata si allunga. A tal proposito, si consiglia di moderare la velocità e di mantenere una adeguata distanza di frenata nel caso in cui ci si trovi in condizioni climatiche avverse e/o in caso di circolazione intensa.

Su strade bagnate, scivolose, fangose o ghiacciate, lo spazio di frenata aumenta e l'aderenza diminuisce notevolmente rischiando di far slittare le ruote e facendo perdere l'equilibrio rispetto alle strade asciutte.

È necessario quindi condurre il veicolo con maggiore prudenza, mantenere adeguate velocità e distanze di sicurezza da altri veicoli o pedoni.

Fare maggiore attenzione quando si guida su strade sconosciute.

Per la propria sicurezza si consiglia di indossare adeguati dispositivi di protezione (casco, ginocchiere e gomitiere) per proteggersi da eventuali cadute e lesioni mentre si guida il prodotto. Quando si presta il prodotto, fare indossare dispositivi di sicurezza al conducente e spiegare come utilizzare il veicolo. Per evitare lesioni, non prestare il prodotto a persone che non sanno come utilizzarlo.

Indossare sempre le scarpe prima dell'utilizzo del prodotto.

Il prodotto è stato progettato per consentire il carico di un peso massimo complessivo (conducente ed eventuale carico trasportato) non superiore al valore riportato nella scheda tecnica del prodotto.

Evitare in qualsiasi circostanza di utilizzare il prodotto in presenza di carico complessivo trasportato superiore a quanto prescritto per non incorrere nel rischio di deteriorare l'integrità delle componenti strutturali ed elettroniche dello stesso.

La bicicletta a pedalata assistita (EPAC), conformemente a quanto previsto dalla normativa di riferimento vigente EN 15194, è un mezzo di trasporto adibito al trasporto di una sola persona.

Il trasporto di un passeggero è ammissibile esclusivamente nell'ambito delle normative

vigenti nel Paese di circolazione in merito a: età minima del conducente, età massima del passeggero trasportato, dotazione dispositivi di trasporto passeggero normativamente omologati ed autorizzati.

È responsabilità dell'utente accertarsi dell'idoneità dei dispositivi di equipaggiamento del prodotto adibiti al trasporto del passeggero in termini di caratteristiche costruttive, sistemi di sicurezza, sistemi di ancoraggio e della relativa installazione e montaggio sulla bicicletta a pedalata assistita conformemente a quanto previsto dalla struttura della stessa ed entro i limiti di carico previsti (carico massimo sopportato dal prodotto e dal portapacchi in dotazione, se presente).

L'utente è inoltre responsabile in merito alla dotazione ed installazione di dispositivi di equipaggiamento del prodotto adibiti al trasporto di oggetti e animali (es: portapacchi, borse portabagagli, cestini portaoggetti, ecc...) in conformità a quanto normativamente omologato ed autorizzato nel Paese di circolazione ed a quanto previsto dalla struttura dello stesso ed entro i limiti di carico previsti (carico massimo sopportato dal prodotto e dal portapacchi in dotazione, se presente).



L'installazione sul prodotto di accessori e dispositivi di equipaggiamento, oltre a costituire fattore incidente sulle prestazioni e sulle modalità di utilizzo dello stesso, può in caso di relativa inidoneità essere causa di danni compromettendone il corretto funzionamento e le condizioni di sicurezza in fase di utilizzo.

Per informazioni in merito alla dotazione ed installazione di dispositivi di equipaggiamento adeguati ed idonei al prodotto rivolgersi al proprio rivenditore autorizzato o ad operatori specializzati.

### **Avvertenze per gli utenti**

- La bicicletta a pedalata assistita può essere utilizzata solo da adulti e ragazzi esperti.
- Non assumere alcool o droghe prima di guidare la bicicletta a pedalata assistita.
- Questo modello di bicicletta a pedalata assistita è progettato e costruito per essere usato all'aperto, su strade pubbliche o piste ciclabili.
- Non chiedere alla bicicletta a pedalata assistita prestazioni superiori a quelle per cui è stata progettata.
- Non guidare mai la bicicletta a pedalata assistita con parti smontate.
- Guidare con entrambe le mani sul manubrio.
- Sostituire le parti usurate e/o danneggiate, controllare che le protezioni funzionino nel modo corretto prima dell'utilizzo.
- Tenere lontano i bambini da parti plastiche (inclusi i materiali di imballo) e piccole parti che possono provocare soffocamenti.
- Supervisionare i bambini per assicurarsi che non giochino con il prodotto.
- Eliminare eventuali spigoli taglienti causati dall'utilizzo improprio, rotture o danneggiamenti del prodotto.

- Prestare massima attenzione utilizzando il prodotto in prossimità di pedoni ed avere cura di rallentare e segnalare la propria presenza per evitare di spaventarli sopraggiungendo alle loro spalle.
- Assemblare correttamente il prodotto.



### **Modalità di utilizzo**

La bicicletta a pedalata assistita è una bicicletta equipaggiata con un motore elettrico ausiliario che si attiva esclusivamente quando si azionano i pedali.

Il motore, quindi, non sostituisce il lavoro muscolare delle gambe, ma le aiuta a fare meno fatica, attivandosi nelle modalità previste dal funzionamento delle componenti elettriche ed elettroniche in dotazione al prodotto: batteria, comandi al manubrio, sensori ed elettronica di controllo (centralina).

In dettaglio, il motore elettrico è alimentato da una batteria e viene controllato da una centralina che ne gestisce l'erogazione della potenza e la spinta aggiuntiva da fornire al contributo muscolare originato dalla pedalata del conducente in base alla lettura di valori forniti in tempo reale da una serie di sensori, posizionati esternamente sul telaio o all'interno dei componenti stessi, ed in funzione dei parametri di gestione inseriti dall'utilizzatore attraverso i comandi al manubrio (Display).

Il motore elettrico in dotazione alla bicicletta a pedalata assistita, conformemente a quanto previsto dai requisiti della Direttiva Europea 2002/24/CE, oltre ad attivarsi esclusivamente in supporto alla funzione di pedalata muscolare fornita dall'utilizzatore, si disattiverà al raggiungimento dei 25 km/h di velocità.

La bicicletta a pedalata assistita è stata progettata e costruita per essere guidata all'esterno, sulla viabilità pubblica e nelle piste ciclabili, su superfici asfaltate e/o terreni adeguati alle specifiche caratteristiche tecniche e strutturali del prodotto.

Ogni modifica dello stato di costruzione può compromettere il comportamento, la sicurezza e la stabilità della bicicletta a pedalata assistita e può condurre ad un incidente.

Altri tipi di impiego, oppure l'ampliamento dell'impiego oltre quello previsto, non corrispondono alla destinazione attribuita dal costruttore, pertanto il costruttore non può assumersi alcuna responsabilità per danni eventualmente risultanti.

L'autonomia della batteria in dotazione alla bicicletta a pedalata assistita, e quindi il relativo dato di percorrenza in km stimato, può variare sensibilmente a seconda delle specifiche modalità di utilizzo (carico complessivo trasportato, contributo muscolare fornito dal conducente, livello di assistenza elettrica alla pedalata selezionato, frequenza partenze/ripartenze), delle condizioni meccaniche ed elettriche del prodotto (pressione ed usura degli pneumatici, livello di efficienza della batteria) e degli influssi esterni (pendenze e fondo stradale, condizioni atmosferiche).

Prima di ogni utilizzo controllare con attenzione il corretto funzionamento dei freni ed il loro stato di usura, verificare la pressione degli pneumatici, l'usura delle ruote e lo stato di carica della batteria.

Controllare regolarmente il serraggio dei vari elementi imbullonati. I dadi e tutti gli altri

fissaggi autoserranti possono perdere la loro efficienza, è quindi necessario controllare periodicamente e stringere questi componenti.

Come tutti i componenti meccanici, anche questo prodotto è soggetto ad usura e forti sollecitazioni. Materiali e componenti diversi possono reagire all'usura o alla fatica da sollecitazione in modi diversi. Se la vita utile di un componente venisse superata, potrebbe rompersi improvvisamente, causando lesioni all'utilizzatore. Qualsiasi forma di crepa, graffio o cambiamento di colorazione in zone molto sollecitate indica che la vita del componente è stata raggiunta e deve essere sostituito.

## **ATTENZIONE**

### **Velocità consentita**

La velocità massima consentita per legge è di 25km/h.

La centralina è stata configurata per non permettere variazioni al parametro della velocità massima.

Eventuali interventi non autorizzati dal costruttore alla centralina, oltre a costituire causa invalidante delle condizioni di garanzia sul prodotto, escludono il costruttore da eventuali responsabilità relative a danni causati a persone e/o cose.

## **PERICOLO**

### **Pericolo di infortuni**

Tenere una velocità e un comportamento adeguati alle proprie capacità, non usare mai la bicicletta a pedalata assistita oltre i 25Km/h in quanto si potrebbero causare gravi danni ed infortuni a sé stessi o ad altre persone.

## **ATTENZIONE**

### **Ambiente di utilizzo**

- La bicicletta a pedalata assistita può essere utilizzata all'esterno, in assenza di condizioni atmosferiche avverse (pioggia, grandine, neve, vento forte, ecc.).
- Temperatura massima ammessa: +40°C
- Temperatura minima ammessa: +0°C
- Umidità massima ammessa: 80%

L'ambiente di utilizzo deve presentare un fondo asfaltato piano, compatto, privo di asperità, buche o avvallamenti, privo di ostacoli e macchie d'olio.

Inoltre il luogo di utilizzo deve essere illuminato, dal sole o da luci artificiali, in modo tale da garantire la corretta visione del percorso e dei comandi della bicicletta a pedalata assistita (consigliati da 300 a 500 lux).

## Usi impropri e controindicazioni

Le azioni qui di seguito descritte, che ovviamente non possono coprire l'intero arco di potenziali possibilità di "cattivo uso" della bicicletta a pedalata assistita, sono da considerarsi assolutamente vietate.



### È severamente vietato:

- Utilizzare la bicicletta a pedalata assistita per impieghi diversi da quelli per i quali è stata costruita.
- Utilizzare la bicicletta a pedalata assistita se il proprio peso è superiore a quello consentito.
- Utilizzare la bicicletta a pedalata assistita sotto l'effetto di alcool o droghe.
- Utilizzare la bicicletta a pedalata assistita in aree soggette a rischio di incendi, esplosioni od in ambienti con atmosfera corrosiva e/o chimicamente attiva.
- Utilizzare la bicicletta a pedalata assistita in presenza di condizioni atmosferiche avverse (pioggia battente, grandine, neve, forte vento, ecc.).
- Utilizzare la bicicletta a pedalata assistita in ambienti scarsamente illuminati.
- Transitare o sostare su terreni sconnessi ed accidentati (fondi stradali irregolari, con buche, avvallamenti, ostacoli, ecc.) per evitare rischi di caduta e conseguenti danni al conducente ed al prodotto.
- Ricaricare la batteria in ambiente troppo caldo o non sufficientemente ventilato.
- Coprire la batteria durante la ricarica.
- Fumare o utilizzare fiamme libere vicino alla zona di ricarica.
- Eseguire qualsiasi intervento di manutenzione con la batteria collegata.
- Inserire gli arti o le dita fra le parti mobili della bicicletta.
- Toccare i freni immediatamente dopo l'uso causa surriscaldamento.
- Permettere che le componenti elettriche ed elettroniche della bicicletta a pedalata assistita entrino a contatto con acqua o altri liquidi.
- Modificare o trasformare in alcun modo il prodotto o le sue parti meccaniche ed elettroniche per evitare il rischio di danneggiamenti strutturali, comprometterne l'efficienza e provocare danni.

Se si rileva qualche difetto di fabbrica, se si rilevano rumori insoliti o qualche anomalia, non utilizzare il veicolo e contattare il proprio rivenditore o visitare il sito [www.platum.com/ducati-urban-e-mobility/](http://www.platum.com/ducati-urban-e-mobility/)

### Protezioni

È severamente vietato modificare o rimuovere le protezioni della batteria, della catena e delle altre componenti installate così come le targhette di avvertimento e di identificazione.

### 3. Contenuto della confezione

- E-BIKE DUCATI MG-20 preassemblata
- Sella + Cannotto reggisella + Catarifrangente posteriore (fig.A)
- Parafango anteriore (fig.B)
- Parafango posteriore (fig.C)
- Luce posteriore LED ricaricabile (fig.D)
- Cavo di ricarica USB per batteria luce posteriore LED
- Caricabatteria (fig.E)
- Chiave a brugola 4mm
- Set chiavi blocco/sblocco batteria (2 chiavi)



fig.A



fig.B



fig.C



fig.D



fig.E

## 4. Panoramica del prodotto



1. Sella
2. Cannotto reggisella
3. Collarino reggisella
4. Batteria Li-Ion
5. Parafango posteriore
6. Pneumatico posteriore
7. Ruota posteriore
8. Pinza freno posteriore (lato opposto)
9. Disco freno posteriore (lato opposto)
10. Motore
11. Cassetta
12. Cambio - deragliatore posteriore
13. Cavalletto (lato opposto)
14. Catena
15. Corona
16. Pedivella
17. Pedale
18. PAS - sensore di cadenza (lato opposto)
19. Parafango anteriore
20. Pneumatico anteriore
21. Ruota anteriore
22. Pinza freno anteriore (lato opposto)
23. Disco freno anteriore (lato opposto)
24. Forcella
25. Luce anteriore LED
26. Leva blocco/sblocco piantone manubrio
27. Piantone manubrio
28. Attacco manubrio
29. Manubrio
30. Leva freno ruota posteriore (lato destro)
31. Cambio - comando indicizzato
32. Display LCD
33. Campanello
34. Leva freno ruota anteriore (lato sinistro)
35. Meccanismo di apertura/chiusura telaio
36. Catarifrangente posteriore
37. Luce posteriore LED ricaricabile
38. Numero seriale telaio

## 5. Specifiche tecniche

### Informazioni generali

Ruote	20" - cerchi a 6 razze, Magnesium Pressure Casting
Forcella	hard fork, Magnesium Pressure Casting
Freni	a disco meccanico anteriore e posteriore - leve freno con sensore cut-off
Cambio	meccanico 6 velocità (1x6) - deragliatore posteriore
Trasmissione	a catena - corona 44T - cassetta 6 pignoni (14-16-18-21-24-28T)
Telaio	ripiegabile, Magnesium Pressure Casting
Velocità massima	25 km/h
Carico massimo supportato e-bike	100 kg

### Sistema elettrico

Luci	anteriore a LED
Display	LCD con livelli di assistenza, ON/OFF luci, contachilometri con funzioni annesse
Motore	36V, 250W, 45Nm, posteriore
Batteria	Li-Ion 36V, 10.5Ah, 378Wh integrata al telaio e removibile
Caricabatteria	Input: AC 100V-240V 2.5A (Max) - Output: DC 42V 2.0A (Max)
Tempo di ricarica	4/5 ore

### Dimensioni e peso ( $\pm$ 5%)

Peso batteria	2.0 kg
Peso e-bike senza batteria	18.5 kg
Peso e-bike	20.5 kg
Misure e-bike	1520 x 580 x 1070 mm
Misure packaging	830 x 420 x 665 mm

## 6. Assemblaggio

Estrarre con cura il prodotto dal proprio l'imballo\* e provvedere alla rimozione dei materiali di protezione prestando attenzione a non danneggiare le relative parti estetiche e a non forzare cavi e componenti preassemblate.

\*La rimozione dall'imballo deve essere eseguita da due persone adulte per garantire l'integrità del prodotto ed evitare il rischio di incorrere in infortuni e/o schiacciamenti.

Dopo aver allineato la parte anteriore del telaio con la parte posteriore ruotandole intorno al perno della relativa cerniera di congiunzione serrare la leva presente nel meccanismo di apertura/chiusura del telaio come segue:

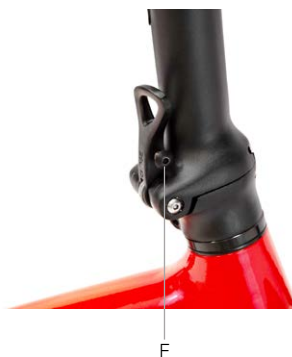
ruotare la leva del meccanismo apertura/chiusura del telaio (A) in direzione della parte anteriore del telaio avendo cura di inserire il dispositivo di bloccaggio (B) della leva nella propria sede (C) e spingere la leva assicurandone il serraggio attraverso il relativo dispositivo di blocco.



Premendo il pulsante di sblocco del meccanismo apertura/chiusura (D) tirando e ruotando la stessa in direzione della parte posteriore del telaio sarà possibile ripiegare il telaio.

## Posizionamento piantone manubrio

Sollevare il piantone manubrio in posizione verticale mantenendo la leva di blocco/sblocco (E) in posizione abbassata e successivamente procedere a relativo serraggio agendo sulla leva di blocco/sblocco ruotandola verso il piantone manubrio.



Premendo il pulsante di sicurezza della leva blocco/sblocco piantone manubrio (F) sarà possibile, ruotando la leva verso il basso, eseguire il relativo sblocco e ripiegamento.

## Installazione manubrio

Posizionare frontalmente l'attacco manubrio allineandolo a telaio e ruota anteriore intervenendo sulle relative viti di serraggio al piantone manubrio (fig.A).



fig.A

Utilizzando la chiave con inserto a brugola esagonale 4mm allentare gradualmente ed alternativamente le quattro viti di fissaggio del frontalino presente sull'estremità dell'attacco manubrio (fig.B) ruotandole in senso antiorario sino a permetterne la rimozione (fig.C).

Collocare centralmente il manubrio nell'apposito alloggiamento presente sul corpo dell'attacco manubrio (fig.D) e posizionare il frontalino dell'attacco manubrio precedentemente rimosso nella sua sede originaria inserendo ed avvitando leggermente (ruotando in senso orario) ed alternativamente le viti di fissaggio per impostare il posizionamento desiderato del manubrio.

Finalizzare l'installazione del manubrio fissando le viti nella sequenza indicata sino a completo serraggio (fig.E).



fig.B



fig.C



fig.D



fig.E

## Installazione e posizionamento canotto reggisella

Inserire il canotto reggisella nel tubo piantone del telaio e, dopo aver adeguatamente posizionato la sella, fissare correttamente il canotto reggisella attraverso l'apposito dispositivo di serraggio (collarino reggisella) presente sul telaio.

Allentare il meccanismo di serraggio rapido (collarino reggisella a sgancio rapido), adibito a garantire il fissaggio del reggisella al tubo piantone del telaio, permettendo estrazione e/o inserimento dello stesso sino ad impostazione dell'altezza della sella desiderata avendo cura di verificare che la stessa sia allineata alla linea centrale del tubo orizzontale del telaio della bicicletta.

Finalizzare l'operazione serrando il collarino reggisella sino a garantire il fissaggio del reggisella al tubo piantone del telaio.



### Limite minimo di inserimento del reggisella

È severamente vietato estrarre il reggisella dal tubo piantone del telaio oltre il livello minimo di inserimento indicato sullo stesso per evitare il rischio di causare danni strutturali alla bicicletta (telaio e/o reggisella) ed incorrere in seri infortuni.

Il corretto e sicuro posizionamento del canotto reggisella all'interno del tubo piantone del telaio sarà confermato dall'esecuzione di una procedura di inserimento che escluda la visibilità della relativa marcatura e/o indicazione grafica del limite minimo di inserimento.

## Installazione luce posteriore

La luce a LED posteriore in dotazione al prodotto, con batteria integrata ricaricabile con cavo di ricarica USB, potrà essere installata al canotto reggisella ed attivata e/o disattivata manualmente attraverso l'apposito pulsante presente sulla luce stessa.

## Installazione parafanghi (facoltativo)



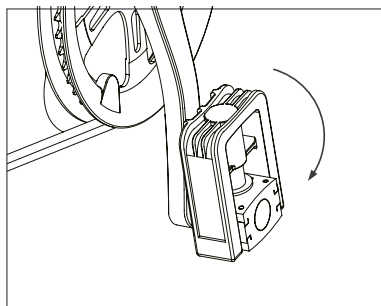
Parafango anteriore



Parafango posteriore

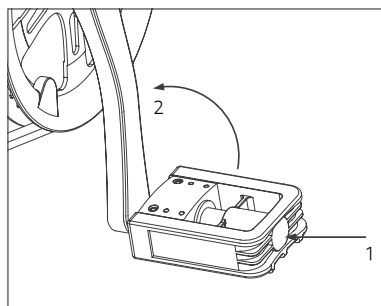
## Pedali

Apertura pedale



Afferrare il corpo del pedale e ruotarlo verso l'esterno.

Chiusura pedale



Premere il pedale verso la pedivella e ruotarlo verso l'interno.

## Rimozione pedali

Rimuovere il pedale presente sul lato destro della bicicletta utilizzando una chiave fissa 15mm agendo in senso antiorario (ruotare in direzione della ruota posteriore).  
Rimuovere il pedale presente sul lato sinistro della bicicletta utilizzando una chiave fissa 15mm agendo in senso orario (ruotare in direzione della ruota posteriore).

## Installazione pedali

Individuare il pedale di destra (contrassegnato con la lettera R) ed il pedale di sinistra (contrassegnato con la lettera L).

Installare il pedale di destra (R) inserendo il perno filettato del pedale nella pedivella corrispondente presente sul lato destro della bicicletta ed avendo cura di avvitarlo in senso orario (ruotare in direzione della ruota anteriore) sino a relativo serraggio da eseguire utilizzando una chiave fissa 15mm.

Installare il pedale di sinistra (L) inserendo il perno filettato del pedale nella pedivella corrispondente presente sul lato sinistro della bicicletta ed avendo cura di avvitarlo in senso antiorario (ruotare in direzione della ruota anteriore) sino a relativo serraggio da eseguire utilizzando una chiave fissa 15mm.



## Set chiavi batteria

Il prodotto prevede la dotazione esclusiva di 2 chiavi univocamente associate alla serratura a chiave presente sulla batteria per permettere relativo blocco e/o sblocco dal telaio. Custodire le chiavi in luogo sicuro avendo cura di evitarne lo smarrimento e la conseguente impossibilità di rimuovere la batteria dal telaio del prodotto. Non utilizzare il prodotto mantenendo la chiave inserita nella serratura a telaio per prevenire il rischio di furto o danneggiamento accidentale causato da eventuali urti.

## ATTENZIONE

Verificare e controllare regolarmente il corretto serraggio dei vari elementi imbullonati, delle viti di fissaggio, meccanismi di serraggio rapido (sganci rapidi) ed assi passanti oltre ad un controllo generale che tutte le parti siano in ordine.

I dadi e tutti gli altri fissaggi autoserranti possono perdere la loro efficienza, è quindi necessario controllare periodicamente e serrare questi componenti.

I valori delle coppie di serraggio consigliate per il fissaggio delle specifiche componenti presenti sul prodotto sono individuabili in corrispondenza dei relativi elementi.

Una coppia di serraggio corretta (viti, bulloni, dadi) è fondamentale per la sicurezza. Se viene applicata una forza non sufficiente, la tenuta non è garantita. Una forza eccessiva può rovinare le filettature o causare l'allungamento, la deformazione o la rottura del dispositivo di fissaggio. In entrambi i casi, una coppia di serraggio non corretta può portare a perdite di controllo e cadute.

Dove indicato, controllare che ogni vite sia serrata alla coppia specificata.

Dopo il primo utilizzo e successivamente in modo regolare, ricontrollare il serraggio di ogni vite per garantire un fissaggio sicuro dei componenti.

La verifica del corretto serraggio delle componenti attraverso sistemi a leva (meccanismi di serraggio rapido), regolata intervenendo sul dado di serraggio e non sulla leva di blocco del meccanismo, in assenza di indicazioni tecnicamente precise dei relativi valori, può avvenire testando che la relativa componente oggetto di fissaggio non sia mobile e/o instabile se sottoposta ad energico tentativo di rimozione e/o estrazione e verificando che la leva di serraggio presenti una adeguata resistenza in fase di chiusura (tale da lasciare un segno sul palmo della mano adibita a serraggio leva, cosiddetto "imprint on palm") e, successivamente alla chiusura, richieda si eserciti una notevole forza per permettere relativa apertura.

La possibilità di manovrare la leva di blocco del meccanismo esercitando una pressione manuale minima è indicativo di condizioni di bloccaggio insufficiente richiedendo ulteriore intervento di serraggio del dado di regolazione.

## ATTENZIONE

### **Verifica negativa**

Nel caso in cui, in occasione di montaggio e messa in servizio del prodotto, dovessero essere riscontrati difetti di fabbrica, passaggi non chiari o difficoltà nell'assemblaggio, non guidare la bicicletta a pedalata assistita e contattare il servizio assistenza del proprio rivenditore autorizzato o visitare il sito [www.platum.store/it/assistenza](http://www.platum.store/it/assistenza) per ricevere adeguato supporto.

## 7. Batteria

La bicicletta a pedalata assistita avvia ed alimenta le proprie funzioni elettriche ed elettroniche attraverso la batteria agli ioni di litio in dotazione al prodotto, correttamente ricaricata ed installata.



Presa per connettore di ricarica

Serratura blocco/sblocco

### Estrazione e inserimento batteria

La batteria può essere rimossa dal telaio della bicicletta per prevenirne il furto, per la ricarica o per essere conservata nelle condizioni ottimali.

Inserire la chiave in dotazione nella serratura presente sulla batteria e, dopo aver ruotato la chiave in senso orario sino a posizione di sblocco, procedere ad estrazione della batteria dalla propria sede sfilandola verso l'alto utilizzando la relativa maniglia in dotazione.



Inserire la batteria nella propria sede integrata al telaio della bicicletta assicurandola alla stessa ruotando la chiave in senso antiorario sino a posizione di blocco. Verificare che la batteria sia correttamente installata e bloccata eseguendo un energico tentativo di estrazione e/o accertandosi che la stessa sia saldamente ancorata al telaio e non sia mobile.

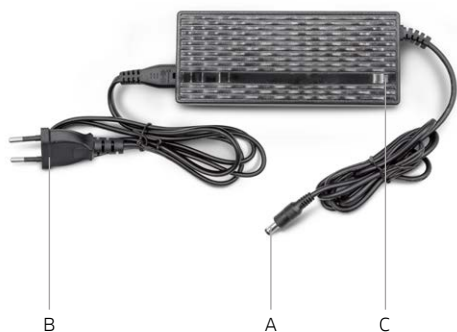
## ATTENZIONE

Prima di utilizzare la bicicletta a pedalata assistita per la prima volta occorre effettuare un ciclo completo di ricarica della batteria utilizzando l'apposito caricabatteria fornito in dotazione. Il tempo medio per la ricarica completa della batteria, variabile in funzione del livello di carica residua della stessa, è stimabile sino ad un massimo di 4/5h.

Si consiglia di ricaricare la batteria con il suo apposito caricabatterie dopo ogni utilizzo della bicicletta a pedalata assistita.

### Procedura di ricarica della batteria

Utilizzare esclusivamente il caricabatteria in dotazione od un modello omologato avente le medesime specifiche tecniche avendo cura di osservare le relative modalità e precauzioni di utilizzo indicate sullo stesso o sul manuale.



- A. Connettore di ricarica
- B. Spinotto del cavo di rete
- C. Spia LED stato ricarica batteria

Accertarsi che il caricabatteria, il connettore di ricarica, la presa per connettore di ricarica della batteria e lo spinotto del cavo di rete siano asciutti.

Innestare il connettore di ricarica del caricabatteria nella presa per connettore di ricarica della batteria e successivamente collegare lo spinotto del cavo di rete dalla presa della rete elettrica (220V-240V ~ 50/60Hz).

Durante il ciclo di ricarica della batteria, il caricabatteria evidenzia una luce spia a LED di colore rosso. La successiva presenza della luce spia a LED di colore verde segnala che il ciclo di ricarica della batteria è stato completato.

Scollegare il connettore di ricarica del caricabatteria dalla presa per connettore di ricarica della batteria e scollegare lo spinotto del cavo di rete dalla presa della rete elettrica per concludere la procedura di ricarica.

## **ATTENZIONE**

L'utilizzo di un caricabatteria differente da quello in dotazione, non adeguato o non omologato, per la ricarica della batteria del prodotto può essere causa di danneggiamento della stessa o comportare altri potenziali rischi.

Non caricare mai il prodotto senza supervisione.

Non accendere o guidare il prodotto durante la ricarica.

Durante la ricarica, tenere fuori dalla portata dei bambini.

Non posizionare nulla al di sopra del caricabatterie durante l'uso, non permettere a nessun liquido o metallo di penetrare nel caricabatteria.

Durante il ciclo di ricarica della batteria il caricabatteria si surriscalda.

Non ricaricare il prodotto immediatamente dopo l'uso. Lasciare che il prodotto si raffreddi prima di procedere alla ricarica.

Il prodotto non deve essere caricato per periodi prolungati. Il sovraccarico riduce la durata della batteria e comporta ulteriori rischi potenziali.

È consigliabile non permettere che il prodotto si scarichi completamente per evitare che si danneggi la batteria causando la perdita di efficienza. Il danno provocato da un'assenza di carica prolungata è irreversibile e non è coperto dalla garanzia limitata. Una volta avvenuto il danno, la batteria non può essere ricaricata (è vietato lo smontaggio della batteria da parte di personale non qualificato, in quanto ciò potrebbe provocare scosse elettriche, cortocircuiti o persino incidenti di sicurezza di notevole entità). Caricare la batteria a intervalli regolari (almeno 1 volta ogni 3/4 settimane), anche se non si utilizza la bicicletta a pedalata assistita per un periodo prolungato.

Caricare la batteria in un ambiente asciutto, lontano da materiali infiammabili (ad esempio materiali che potrebbero esplodere in fiamme), preferibilmente a una temperatura interna di 15-25°C, ma mai inferiore a 0°C o superiore a + 45°C.

Effettuare regolarmente l'ispezione visiva del caricabatterie e dei cavi del caricabatterie.

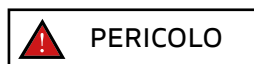
Non utilizzare il caricabatterie se sono evidenti danni.

### **Autonomia e durata della batteria**

L'autonomia della batteria in dotazione alla bicicletta a pedalata assistita, e quindi il relativo dato di percorrenza in km stimato, può variare sensibilmente a seconda delle specifiche modalità di utilizzo (carico complessivo trasportato, contributo muscolare fornito dal conducente, livello di assistenza elettrica alla pedalata selezionato, frequenza partenze/ripartenze), delle condizioni meccaniche ed elettriche del prodotto (pressione ed usura degli pneumatici, livello di efficienza della batteria) e degli influssi esterni (pendenze e fondo stradale, condizioni atmosferiche).

Nel corso del tempo la capacità e le prestazioni fornite dalla batteria diminuiscono a causa del fisiologico deterioramento elettrochimico delle celle che la costituiscono.

Risulta impossibile prevedere la relativa durata con esattezza, poiché essa dipende soprattutto dal tipo di utilizzo e dalle sollecitazioni a cui è sottoposta. Per favorire la longevità della batteria è opportuno provvedere alla relativa conservazione in un ambiente asciutto ed al riparo dall'esposizione diretta ai raggi solari e preferibilmente a una temperatura interna di 15-25°C, ma mai inferiore a 0°C o superiore a + 45°C, eseguire la ricarica idealmente a temperatura ambiente ed evitarne il sovraccarico o la relativa scarica completa in fase di utilizzo e provvedendo a ricaricare la batteria a intervalli regolari anche se non si utilizza la bicicletta a pedalata assistita per un periodo prolungato (almeno 1 volta ogni 3/4 settimane). In generale, si deve considerare che il freddo riduce le prestazioni della batteria. In caso di funzionamento durante l'inverno è raccomandabile che la batteria sia caricata e conservata a temperatura ambiente e venga inserita nella bicicletta a pedalata assistita solo poco prima del relativo utilizzo.



### **Avvertenze sulla batteria**

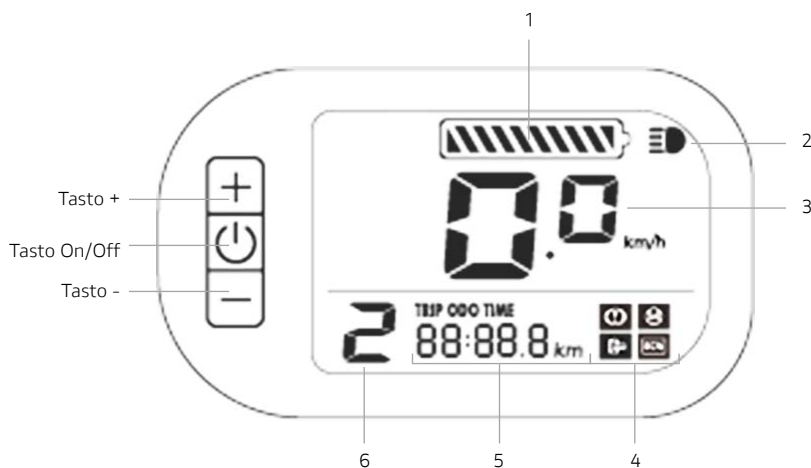
La batteria è composta da celle agli ioni di litio ed elementi chimici pericolosi per la salute e l'ambiente.

- Non utilizzare il prodotto se emette odori, sostanze o calore eccessivo.
- Non smaltire il prodotto o la batteria insieme ai rifiuti domestici.
- L'utente finale è responsabile dello smaltimento delle apparecchiature elettriche ed elettroniche e delle batterie in conformità con tutte le normative in vigore.
- Evitare di utilizzare batterie usate, difettose e/o non originali, di altri modelli o marche.
- Non lasciare la batteria vicino al fuoco o fonti di calore. Rischio di incendio ed esplosione.
- Non aprire o smontare la batteria o colpire, lanciare, forare o attaccare oggetti alla batteria.
- Non toccare eventuali sostanze fuoriuscite dalla batteria, poiché contiene sostanze pericolose.
- Non lasciare che bambini o animali tocchino la batteria.
- Non sovraccaricare o mandare in cortocircuito la batteria. Rischio di incendio ed esplosione.
- Non lasciare mai la batteria incustodita durante la ricarica. Rischio di incendio! Non collegare mai la presa di ricarica con oggetti metallici.
- Non immergere o esporre la batteria all'acqua, sotto la pioggia o ad altre sostanze liquide.
- Non esporre la batteria sotto la luce diretta del sole, a calore o freddo eccessivi (ad esempio, non lasciare il prodotto o la batteria in un'auto sotto la luce solare diretta per un periodo di tempo prolungato), ad un ambiente contenente gas esplosivi o fiamme.
- Non trasportare o conservare la batteria insieme a oggetti metallici come forcine, collane, ecc. Il contatto tra oggetti metallici e contatti della batteria può provocare cortocircuiti che portano a danni fisici o morte.

## 8. Display

La bicicletta a pedalata assistita è fornita di un dispositivo di comando posizionato sul manubrio, display LCD, alimentato dalla batteria in dotazione al prodotto, che permette il controllo dei dati e la gestione completa di tutte le funzionalità elettriche ed elettroniche del prodotto.

### Panoramica dei comandi e dei simboli



1. Indicatore livello di carica residua della batteria
2. Spia attivazione luce LED anteriore
3. Tachimetro digitale: indicatore velocità istantanea rilevata in fase di utilizzo
4. Spie di sistema
5. Visualizzazione dati di utilizzo (TRIP - ODO - TIME)
6. Indicatore livello di assistenza alla pedalata selezionato

## Descrizione delle funzioni

Accensione/Spegnimento:

premere il tasto On/Off per accendere o spegnere il display LCD e permettere attivazione o disattivazione del sistema.

Selezione del Livello di Assistenza alla Pedalata:

premere brevemente il tasto + o - per aumentare o diminuire il livello di assistenza alla pedalata erogato dal motore.

I livelli di assistenza alla pedalata selezionabili sono compresi tra i valori 1 e 3.

Selezionando il livello 1 si imposta la modalità che prevede il minimo supporto elettrico alla pedalata fornito dal motore.

Selezionando il livello 3 si imposta la modalità che prevede il massimo supporto elettrico alla pedalata fornito dal motore.

Premendo il tasto - sino a selezionare il livello 0 si esclude l'attivazione del supporto elettrico alla pedalata.

Accensione/Spegnimento luce anteriore:

premere il tasto + per almeno 3 secondi per accendere o spegnere la luce anteriore.

Visualizzazione dati di utilizzo (TRIP - ODO - TIME):

premere brevemente il tasto On/Off per selezione e visualizzare in successione gli specifici dati di utilizzo della bicicletta a pedalata assistita disponibili relativi a:

- TRIP = visualizzazione dato distanza parziale percorsa
- ODO = visualizzazione dato distanza totale percorsa
- TIME = visualizzazione dato durata di utilizzo

Indicatore del livello di carica residua della batteria:

il livello di carica della batteria viene visualizzato sullo schermo del display attraverso la presenza di un numero di segmenti compreso tra 0 e 10.

La presenza di 10 segmenti è indicativa del massimo intervallo di carica della batteria percentualmente definito e rilevato istantaneamente.

La riduzione dei segmenti presenti fornisce un dato indicativo del decrescente livello di carica della batteria disponibile e della conseguente autonomia.

I singoli segmenti sono indicativi dello specifico intervallo di carica della batteria rilevato istantaneamente e non rappresenta un dato necessariamente proporzionale dell'autonomia residua.

L'indicatore della batteria può subire oscillazioni nel livello di carica a seconda dell'uso della bicicletta a pedalata assistita, per esempio percorrendo una salita il livello visualizzato può scendere rapidamente in quanto si ha un consumo molto più elevato della batteria.

Spie di sistema:

consultare il Capitolo 12 del Manuale per informazioni.

## 9. Messa in servizio

Prima di utilizzare la bicicletta a pedalata assistita, oltre a verificare stato di carica e corretta installazione della batteria, per consentire una adeguata messa in strada e garantire un utilizzo efficiente e sicuro del prodotto, è sempre opportuno controllare attentamente ogni parte provvedendo ad eseguire i necessari interventi di regolazione delle relative componenti meccaniche, direttamente od avvalendosi del supporto di operatori specializzati, si vedano: regolazione e serraggio sella e cannotto reggisella, regolazione e serraggio manubrio ed attacco manubrio, regolazione freni, regolazione cambio, lubrificazione catena ed ingranaggi, verifica ruote e pressione pneumatici, verifica generale del corretto serraggio delle viti di fissaggio, sganci rapidi e perni passanti oltre ad un controllo generale che tutte le parte siano in ordine.

### **Sella**

La posizione sulla bicicletta è molto importante per garantire il miglior comfort di utilizzo del prodotto, per permettere un corretto esercizio della pedalata e per evitare problemi di sicurezza.

Per questa ragione è importante che la sella ed il relativo cannotto reggisella siano posizionati e regolati nelle modalità adeguate alla fisionomia dell'utilizzatore.

Per regolare l'altezza della sella è necessario allentare il collarino che stringe il cannotto reggisella nel telaio ed alzarlo od abbassarlo in base alle proprie esigenze avendo cura di non estrarlo oltre il limite indicato sullo stesso per evitare il rischio di eventuali fratture al telaio; definita la posizione gradita nel rispetto delle precauzioni relative all'estrazione del cannotto reggisella provvedere a fissarla stringendo il relativo collarino sino al corretto serraggio per evitare che lo stesso risulti mobile e/o instabile.

In generale si consiglia di regolare l'altezza della sella verificando che appoggiando il piede sul pedale posizionato nel punto più basso della rotazione la gamba corrispondente sia quasi completamente distesa.

Per regolare l'avanzamento della sella è necessario allentare il relativo sistema di fissaggio presente nella staffa del reggisella permettendo di predisporre la posizione gradita e successivamente ripristinare il corretto serraggio del sistema di fissaggio per evitare eventuali giochi e movimenti.

### **Manubrio**

Per regolare posizionamento ed inclinazione del manubrio intervenire allentando il sistema di serraggio presente sull'attacco manubrio, ruotare il manubrio sino a definizione della posizione gradita e provvedere a fissarlo stringendo il sistema di serraggio sino ad evitare che lo stesso risulti mobile.

### **Freni**

L'impianto frenante installato sul prodotto prevede la presenza di freni a disco meccanici azionabili sulla ruota anteriore e sulla ruota posteriore attraverso le corrispondenti leve posizionate sul manubrio.

La leva del freno ubicata sul lato destro del manubrio aziona il freno posteriore permettendo l'arresto della ruota posteriore, al contrario la leva del freno ubicata sul lato sinistro del manubrio aziona il freno anteriore permettendo l'arresto della ruota anteriore.

Le leve dei freni, anteriore e posteriore, devono essere ubicate ed orientate in modo da massimizzarne l'ergonomia favorendo una posizione naturale della mano e delle

dita adibite al relativo azionamento, minimizzando forza e tempistica necessarie per permettere l'attivazione della frenata e mantenendo la possibilità di avere una buona modulazione della stessa.

Le leve freno installate sul prodotto sono singolarmente dotate di dispositivo (sensore cut-off), attraverso il quale, azionando la leva freno al quale lo stesso è collegato, avviene il disinserimento elettronico immediato dell'azione propulsiva del motore.

Controllare il funzionamento dei freni con una prova di frenatura a bassa velocità (max 6km/h) in una zona libera da ostacoli.

Il progressivo stato di usura delle pastiglie dei freni installate sulle relative pinze, riducendone lo spessore, richiederà alle corrispondenti leve del freno una corsa maggiore per esercitare la stessa forza frenante; per compensare questa tipologia di usura sarà necessario agire sulla ghiera di registrazione del cavo del freno, posta dietro la leva corrispondente, per ripristinare le condizioni ottimali di frenata; in presenza di condizioni di usura eccessiva delle pastiglie freno sarà necessario provvedere a relativa sostituzione.

### **Cambio e trasmissione**

Il sistema di cambio a cavo in dotazione al prodotto è indicizzato e permette di modificare il rapporto di marcia e lo sviluppo metrico della pedalata agendo sul dispositivo di comando presente sul manubrio determinando lo spostamento laterale della catena sul corrispondente pignone della cassetta installata sulla ruota posteriore attraverso il relativo deragliatore.

Verificare il corretto funzionamento del cambio e la relativa regolazione oltre allo stato di pulizia ed adeguata lubrificazione della catena e degli ingranaggi della trasmissione.

### **Ruote e Pneumatici**

Verificare la corretta centratura, la regolare installazione e il serraggio delle ruote.

Verificare presenza e corretta installazione dei catarifrangenti.

Verificare le condizioni e lo stato di usura degli pneumatici: non devono essere presenti tagli, screpolature, corpi estranei, rigonfiamenti anomali, tele in vista e altri danni.

Verificare la pressione di gonfiaggio degli pneumatici facendo riferimento allo specifico intervallo di valori minimo e massimo riportato sul fianco degli stessi (il valore della pressione adeguata dovrà essere personalizzata in base al peso trasportato, alle condizioni atmosferiche e del fondo stradale).

Pneumatici correttamente gonfiati, oltre a migliorare lo scorrimento della ruota, riducono il rischio di forature e deterioramento.

## 10. Conservazione, manutenzione e pulizia

Per assicurare e mantenere nel tempo un buon livello di sicurezza e funzionalità del prodotto è necessario provvedere a sottoporre lo stesso a controlli regolari e manutenzione periodica.

Alcune operazioni di controllo e manutenzione possono essere eseguite direttamente dall'utilizzatore o da chiunque abbia basiche attitudini meccaniche, manualità e disponga degli strumenti adeguati.

Altre operazioni richiedono la competenza e l'utensileria specifica di un operatore qualificato.

Il rivenditore potrà fornire tutte le informazioni relative agli interventi di controllo eseguibili direttamente dall'utilizzatore e suggerire quali interventi di manutenzione ordinaria siano da eseguire periodicamente in funzione dell'intensità e delle condizioni di utilizzo del prodotto.

Tutte le operazioni di manutenzione devono essere eseguite con la batteria staccata ed avendo cura di appoggiare la bicicletta sul cavalletto.

Le varie parti che compongono il prodotto sono soggette a varie forme di usura da utilizzo.

In particolare, si suggerisce di eseguire ispezione regolare e manutenzione periodica delle seguenti componenti: pneumatici, ruote, freni, cambio, catena e telaio.

Gli **pneumatici** installati sul prodotto sono soggetti al fisiologico consumo del battistrada che può essere accentuato da specifiche modalità ed ambiente di utilizzo e sono sottoposti al naturale indurimento nel tempo della mescola della gomma che li compone.

Verificare costantemente la corretta pressione delle camere d'aria installate all'interno degli pneumatici per ridurre il rischio di forature, limitarne il processo di deterioramento e garantire un utilizzo maggiormente sicuro e performante del prodotto.

Ispezionare periodicamente lo stato di usura ed invecchiamento/deterioramento degli pneumatici e provvedere all'eventuale necessario intervento di sostituzione con pneumatici dotati delle medesime caratteristiche.

L'integrità delle **ruote** in dotazione al prodotto deve essere costantemente oggetto di verifica per accertare esclusione di deformazioni, ammaccature, crepe e/od altri segni di corrosione e danneggiamento che ne rendano necessaria la sostituzione per ragioni di sicurezza.

Per garantire il mantenimento di un buono livello di funzionamento dei **freni**, oltre a verificare regolarmente lo stato di usura ed integrità dei dischi e delle pinze, eseguire la periodica sostituzione delle pastiglie dei freni installate sulle relative pinze al raggiungimento di uno spessore non inferiore a 1mm e verificare periodicamente lo stato di logoramento da usura dei cavi d'acciaio presenti all'interno delle guaine dell'impianto frenante e provvedere a relativa sostituzione per prevenire il relativo rischio di rottura.

Il corretto funzionamento della trasmissione della bicicletta a pedalata assistita è garantito da una adeguata manutenzione e regolazione delle relative componenti.

Il sistema di **cambio** a cavo in dotazione al prodotto, essendo un componente molto sollecitato durante l'uso e lavorando in conseguenza di una tensione meccanica, è portato a perdere facilmente la regolazione; la permanenza e/o il ripristino delle corrette condizioni di funzionamento del cambio indicizzato sono garantite da adeguati interventi di regolazione del deragliatore (viti di fine-corsa) e registrazione del cavo di cambio.

La **catena** ed i relativi ingranaggi della trasmissione sono soggetti ad usura da utilizzo e, per garantirne l'integrità ed il corretto funzionamento in termini di fluidità e silenziosità, devono essere regolarmente puliti e lubrificati con prodotti specifici (a goccia o spray, secchi o umidi), adeguati alla stagionalità ed alle modalità di utilizzo del prodotto e periodicamente sostituiti.

Eseguire l'intervento di lubrificazione esclusivamente dopo aver adeguatamente pulito e sgrassato le parti interessate e, successivamente, in modo particolare nella fattispecie di utilizzo di lubrificanti oleosi, avendo cura di eliminare la presenza di eventuali eccedenze di lubrificante.

Il **telaio** del prodotto deve essere ispezionato con regolarità per escludere la presenza di eventuali sintomi di fessurazione e/o cosiddetta "fatica dei materiali" e permettendo un tempestivo intervento di riduzione e/od eliminazione dei rischi di danneggiamento e/o rottura.

Si consiglia di controllare attentamente ogni parte elemento di fissaggio presente sul prodotto provvedendo ad eseguire preventiva e periodica verifica generale del corretto serraggio dei dadi autoserranti e delle viti di fissaggio che possono perdere la loro efficienza a seguito di utilizzo e nel corso del tempo.



Dopo ogni intervento di manutenzione ordinaria è obbligatoria una verifica sul perfetto funzionamento di tutti i comandi.

### **Note per la manutenzione**

Ogni intervento di manutenzione deve avvenire con la batteria scollegata.

Durante ogni fase di manutenzione gli operatori devono essere dotati dell'equipaggiamento antinfortunistico necessario. Gli utensili utilizzati per la manutenzione devono essere idonei e di buona qualità.

Non usare benzina o solventi infiammabili come detergenti, ma ricorrere sempre a solventi non infiammabili e non tossici. Limitare al massimo l'uso dell'aria compressa e proteggersi con occhiali aventi ripari laterali.

Non ricorrere mai all'uso di fiamme libere come mezzo di illuminazione quando si procede ad operazioni di verifica o di manutenzione.

Dopo ogni intervento di manutenzione o regolazione accertarsi che non rimangano attrezzi o corpi estranei fra gli organi di movimento della bicicletta a pedalata assistita.

Il presente manuale non approfondisce informazioni riguardanti smontaggio e manutenzione straordinaria, poiché tali operazioni andranno eseguite sempre ed in via esclusiva dal personale del Servizio Assistenza del rivenditore autorizzato.

Il Servizio Assistenza è in grado di fornire tutte le indicazioni e di rispondere a tutte le richieste per curare e mantenere perfettamente efficiente la vostra bicicletta a pedalata assistita.

## ATTENZIONE

### **Pulizia**

La pulizia della bicicletta a pedalata assistita non solo è questione di decoro ma consente anche di rilevare immediatamente un eventuale difetto della stessa.

Per lavare il prodotto, dopo aver necessariamente estratto e rimosso la batteria, utilizzare preferibilmente una spugna e/o un panno morbido e acqua, con eventuale aggiunta di un detergente neutro specifico ed avendo particolare cura nel maneggiare le parti elettroniche.

È assolutamente vietato indirizzare getti di acqua in pressione verso le parti elettriche, il motore, il display e la batteria. Dopo il lavaggio, è importante asciugare tutte le componenti lavate, nonché il telaio e le superfici frenanti con un secondo panno morbido e/od asciugare completamente con aria compressa a bassa pressione e verificare che non sia rimasta umidità residua sui componenti elettrici.

Se sono presenti macchie sul corpo del prodotto, pulirle con un panno umido. Se le macchie persistono, applicarvi sopra del sapone neutro, spazzolarle con uno spazzolino, quindi pulire con un panno umido.

Non pulire il prodotto con alcol, benzina, cherosene o altri solventi chimici corrosivi e volatili per evitare di danneggiarlo in modo grave.

## PERICOLO

**Tutte le operazioni di pulizia della bicicletta a pedalata assistita devono essere eseguite con la batteria estratta.**

Le infiltrazioni d'acqua nella batteria possono comportare danni ai circuiti interni, rischio di incendio o di esplosione. Se si ha il dubbio che ci sia un'infiltrazione d'acqua nella batteria, sospendere immediatamente l'utilizzo della batteria e restituirla al servizio di assistenza tecnica o presso il rivenditore per un controllo.

### **Conservazione e deposito**

Nel caso in cui la bicicletta a pedalata assistita dovesse essere immagazzinata e conservata per lunghi periodi di inattività sarà necessario il relativo deposito in un ambiente chiuso, in un luogo secco, fresco e possibilmente arieggiato, avendo cura di effettuare le seguenti operazioni:

- Eseguire una pulizia generale della bicicletta a pedalata assistita.
- Rimuovere la batteria in dotazione alla bicicletta a pedalata assistita dal proprio alloggiamento e, dopo averla disattivata attraverso relativa chiave od interruttore (se presenti), conservala in un ambiente asciutto, lontano da materiali infiammabili (ad esempio materiali che potrebbero esplodere in fiamme), preferibilmente a una temperatura interna di 15-25°C, mai inferiore a 0°C o superiore a + 45°C ed eseguire periodici cicli di ricarica per evitare che il livello di tensione della stessa si riduca eccessivamente provocandone il rischio di danneggiamento e perdita di efficienza.
- Proteggere i contatti elettrici esposti con prodotti antiossidanti.
- Ingrassare tutte le superfici non protette da vernici o trattamenti anticorrosione.

 **ATTENZIONE**

Non conservare o depositare il prodotto all'aperto o all'interno di un veicolo per un periodo di tempo prolungato. Luce del sole eccessiva, surriscaldamento e freddo eccessivo accelerano l'invecchiamento delle gomme e compromettono la vita utile sia del prodotto che della batteria. Non esporlo a pioggia o acqua, né immergerlo e lavarlo con acqua.

### **Sollevamento**

Il peso della bicicletta a pedalata assistita suggerisce il relativo sollevamento ad opera di due persone adulte operando con estrema cautela per evitare il rischio di procurare danni alle persone (schiacciamenti ed infortuni) e alle cose (urti ed impatti).

 **PERICOLO**

### **Trasporto**

Per garantire la sicurezza del trasporto della bicicletta a pedalata assistita, interna all'abitacolo del veicolo adibito al trasporto od esterno (es: portabiciclette), oltre a provvedere alla preventiva rimozione della batteria e delle componenti accessorie installate sulla stessa, eseguire il relativo ancoraggio attraverso l'utilizzo di adeguati materiali di fissaggio (fasce o cavi) e dispositivi di aggancio in buono stato ed installati in modo da non danneggiare il telaio, i cavi e le altre parti del prodotto.

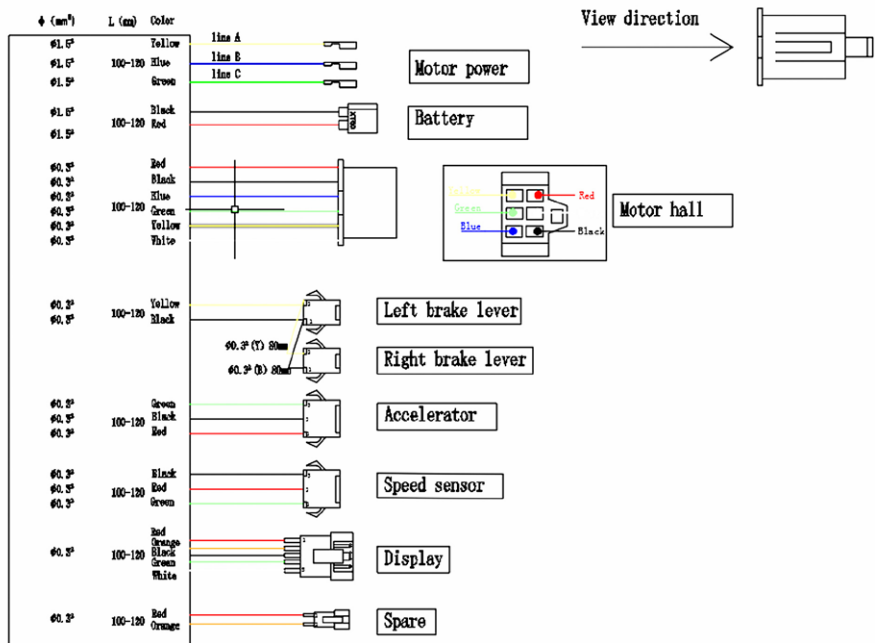
È responsabilità dell'utente accertarsi dell'idoneità delle attrezzature adibite al trasporto del prodotto attraverso la dotazione ed installazione di dispositivi (es: portabiciclette) in conformità a quanto normativamente omologato ed autorizzato nel Paese di circolazione.

 **ATTENZIONE**





Il costruttore non risponde di rotture dovute al sollevamento e/o al trasporto della bicicletta a pedalata assistita dopo la consegna.

# 11. Diagramma connessioni

## 250W Controller



## 12. Risoluzione dei problemi

Indicazioni del Display	Causa	Soluzione
Spia del freno 	Indica quando il freno è in uso	/
	La leva del freno non ritorna in posizione	Premere la leva per alcune volte per farla tornare in posizione. Sostituire la leva del freno.
Spia dell'acceleratore 	Il cavo dell'acceleratore, l'acceleratore o le connessioni sono danneggiate	Sostituire il cablaggio
	I connettori tra l'acceleratore e il controller non sono ben collegati	Ripristinare il collegamento
Spia del motore 	Il motore non funziona	Sostituire il motore
	I cavi del motore sono danneggiati	Sostituire il cablaggio
	Il motore non è collegato o è collegato in modo errato	Ripristina il collegamento
Spia della centralina 	La centralina è guasta	Sostituire la centralina

## 13. Responsabilità e termini generali di garanzia

Il conducente si assume tutti i rischi relativi al mancato utilizzo di un casco e di altri dispositivi di protezione. Il conducente ha l'obbligo di rispettare le normative locali vigenti in relazione:

1. all'età minima consentita per il conducente,
2. alle restrizioni sulla tipologia dei conducenti che possono utilizzare il prodotto
3. a tutti gli altri aspetti normativi

Il conducente ha altresì obbligo di mantenere pulito ed in perfetto stato di efficienza e di manutenzione il prodotto, di eseguire diligentemente i controlli di sicurezza di sua competenza come descritti nelle sezioni precedenti, di non manomettere il prodotto in nessun modo e di conservare tutta la documentazione relativa alla manutenzione.

L'azienda non risponde dei danni causati e non è in alcun modo responsabile dei danni provocati a cose o persone nelle fattispecie in cui:

- il prodotto venga utilizzato in modo improprio o non conforme a quanto riportato nel manuale di istruzioni;
- il prodotto, in seguito all'acquisto, venga alterato o manomesso in tutti o in alcuni dei suoi componenti.

In caso di malfunzionamento del prodotto per cause non imputabili a comportamenti scorretti del conducente e nel caso in cui si voglia consultare i termini generali di garanzia si prega di contattare il proprio rivenditore o di visitare il sito

[www.platum.com/ducati-urban-e-mobility/](http://www.platum.com/ducati-urban-e-mobility/)

Sono sempre esclusi dal campo di applicazione della Garanzia Legale dei Prodotti eventuali guasti o malfunzionamenti causati da fatti accidentali e/o ascrivibili a responsabilità dell'Acquirente ovvero da un uso del Prodotto non conforme alla sua destinazione d'uso e/o a quanto previsto nella documentazione tecnica allegata al Prodotto, ovvero dovuti a mancata regolazione delle parti meccaniche, naturale usura dei materiali logorabili o causati da errori di assemblaggio, carenza di manutenzione e/o da utilizzo dello stesso non conforme alle istruzioni.

Sono, per esempio, da considerarsi esclusi dalla Garanzia Legale relativa ai Prodotti:

- i danni causati da urti, cadute accidentali o collisioni, forature;
- i danni causati da utilizzo, esposizione o rimessaggio in ambiente non adeguato (es: presenza di pioggia e/o fango, esposizione all'umidità o fonte di calore eccessiva, contatto con la sabbia o con altre sostanze);
- i danni causati da mancata regolazione per messa in strada e/o manutenzione di parti meccaniche, freni, manubrio, pneumatici ecc.; l'errata installazione e/o l'errato assemblaggio di parti e/o componenti;
- la naturale usura dei materiali logorabili: freni a disco (es: pastiglie, pinze, dischi, cavi), pneumatici, pedane, guarnizioni, cuscinetti, luci led e lampadine, cavalletto, manopole, parafanghi, parti in gomma, cablaggi dei connettori dei cavi, mascherine e adesivi, ecc.;
- la manutenzione impropria e/o l'uso improprio della batteria del Prodotto;
- la manomissione e/o la forzatura di parti del Prodotto;
- la manutenzione o la modificazione scorretta o non adeguata del Prodotto;

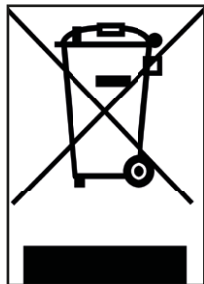
- l'utilizzo improprio del Prodotto (es: carico eccedente, uso in competizioni e/o per attività commerciali di affitto o noleggio);
- manutenzioni, riparazioni e/o interventi tecnici sul Prodotto effettuati da soggetti terzi non autorizzati;
- danni ai Prodotti derivanti dal trasporto, ove effettuato a cura dell'Acquirente;
- danni e/o difetti derivanti dall'uso di parti di ricambio non originali.

Invitiamo a consultare la versione più aggiornata dei termini di garanzia disponibile al sito [www.platum.store/it/assistenza](http://www.platum.store/it/assistenza)

## 14. Informazioni sullo smaltimento



**Trattamento del dispositivo elettrico o elettronico a fine vita (applicabile in tutti i paesi dell'unione europea ed in altri sistemi europei con sistema di raccolta differenziata)**



Questo simbolo sul prodotto o sulla confezione indica che il prodotto non deve essere considerato come un normale rifiuto domestico, ma deve invece essere consegnato ad un punto di raccolta appropriato per il riciclo di apparecchi elettrici ed elettronici (RAEE).

Assicurandovi che questo prodotto sia smaltito correttamente, voi contribuirete a prevenire potenziali conseguenze negative per l'ambiente e per la salute che potrebbero altrimenti essere causate dal suo smaltimento inadeguato. Il riciclaggio dei materiali aiuta a conservare le risorse naturali.

Per informazioni più dettagliate circa il riciclo e lo smaltimento di questo prodotto potete contattare il servizio locale di smaltimento rifiuti oppure il punto vendita dove lo avete acquistato.

In ogni caso occorre effettuare lo smaltimento secondo la normativa vigente nel Paese d'acquisto.

In particolare i consumatori hanno l'obbligo di non smaltire i RAEE come rifiuti urbani, ma devono partecipare alla raccolta differenziata di questa tipologia di rifiuti attraverso due modalità di consegna:

- 1) Presso i Centri di Raccolta comunali (anche dette Eco-piazzole, isole ecologiche), direttamente o tramite i servizi di raccolta delle municipalizzate, ove questi siano disponibili;
- 2) Presso i punti di vendita di nuove apparecchiature elettriche ed elettroniche.

Qui si possono consegnare gratuitamente i RAEE di piccolissime dimensioni (con il lato più lungo inferiore a 25 cm), mentre quelli di dimensioni maggiori possono essere conferiti in modalità 1 contro 1, ovvero consegnando il vecchio prodotto nel momento in cui se ne acquista uno nuovo di pari funzioni.

In caso di smaltimento abusivo di apparecchiature elettriche o elettroniche potrebbero essere applicate le sanzioni previste dalla normativa vigente in materia di tutela ambientale (normativa Italiana, è necessario verificare le normative in essere nel paese di utilizzo/smaltimento del mezzo).

Qualora i RAEE contengano pile o accumulatori, questi devono essere rimossi e soggetti ad una specifica raccolta differenziata.

**! ATTENZIONE**

**Trattamento delle pile esauste (applicabile in tutti i paesi dell'unione europea ed in altri sistemi europei con sistema di raccolta differenziata)**



Questo simbolo sul prodotto o sulla confezione indica che la pila-batteria non deve essere considerato un normale rifiuto domestico. Su alcuni tipi di pile questo simbolo potrebbe essere utilizzato in combinazione con un simbolo chimico.

I simboli chimici del Mercurio (Hg) o del Piombo (Pb) sono aggiunti se la batteria contiene più dello 0,0005% di mercurio o dello 0,004% di piombo.

Assicurandovi che le pile-batterie siano smaltite correttamente, voi contribuirete a prevenire potenziali conseguenze negative per l'ambiente e per la salute che potrebbero altrimenti essere causate dal loro smaltimento inadeguato. Il riciclaggio dei materiali aiuta a conservare le risorse naturali. In caso di prodotti che, per motivi di sicurezza, prestazione o protezione dei dati richiedano un collegamento fisso ad una pila/batteria interna, la stessa dovrà essere sostituita solo da personale di assistenza qualificato.

Consegnare il prodotto a fine vita a punti di raccolta idonei allo smaltimento di apparecchiature elettriche ed elettroniche: questo assicura che anche la pila al suo interno venga trattata correttamente.

Per informazioni più dettagliate circa lo smaltimento della pila-batteria esausta o del prodotto, potete contattare il servizio locale di smaltimento rifiuti oppure il punto vendita dove lo avete acquistato.

In ogni caso occorre effettuare lo smaltimento secondo la normativa vigente nel Paese d'acquisto.

# **MG-20**

foldable e-bike

## Mode d'emploi

Contenu Instructions traduites de l'original italien.

Avant d'utiliser le vélo, il faut le monter et le contrôler correctement dans toutes ses parties.

Tout dommage de montage ou entretien incorrect ne sont pas couverts par la garantie.

Pour plus d'informations, un support technique et une assistance, contactez votre concessionnaire ou visitez le site web [www.platum.com/fr/ducati-urban-e-mobility/](http://www.platum.com/fr/ducati-urban-e-mobility/)

1. Introduction
2. Utilisation et avertissements de sécurité
3. Liste d'emballage
4. Panoramique du produit
5. Spécifications techniques
6. Assemblage
7. Batterie
8. Écran (d'affichage)
9. Mise en service
10. Stockage, entretien et nettoyage
11. Schéma des connexions
12. Dépannage
13. Responsabilité et conditions générales de garantie
14. Informations sur l'élimination

# 1. Introduction

## Informations générales

Ce manuel fait partie intégrante et essentielle du vélo à pédalage assisté (EPAC).

Avant sa mise en marche, il est indispensable que les utilisateurs lisent, comprennent et suivent scrupuleusement les dispositions à suivre.

La société ne répond pas des dommages provoqués et n'est en aucun cas responsable des dommages causés aux biens ou aux personnes dans les cas où :

- le produit est utilisé de manière incorrecte ou non conforme aux instructions du manuel d'instructions ;
- le produit, suite à l'achat, est altéré ou modifié dans tout ou partie de ses composants.

Compte tenu du développement technologique continu, le fabricant se réserve le droit de modifier le produit sans préavis et sans mise à jour automatique de ce mode d'emploi. Pour plus d'informations et pour consulter les révisions de ce manuel, visitez le site [www.platum.com/fr/ducati-urban-e-mobility/](http://www.platum.com/fr/ducati-urban-e-mobility/)

## SAV

En cas de problème ou de demande d'éclaircissement, n'hésitez pas à contacter le Service Après-Vente ou SAV de votre revendeur agréé, qui dispose d'un personnel compétent et spécialisé, d'équipements spécifiques et de pièces de rechange d'origine.

## Note légale sur l'utilisation

Vérifiez et respectez le code de la route et les règles de circulation locales en vigueur concernant le cyclisme en ce qui concerne les restrictions sur le type de conducteurs qui peuvent utiliser le produit et l'utilisation de ce type de produit.

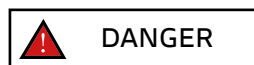
## Forme graphique des consignes de sécurité

Les symboles graphiques suivants seront utilisés pour identifier les messages de sécurité dans ce manuel. Ils sont destinés à attirer l'attention du lecteur / utilisateur sur l'utilisation correcte et sûre du vélo à pédalage assisté.



### Faire attention

Signale les règles à suivre pour éviter d'endommager le vélo à pédalage assisté et/ou empêcher l'apparition de situations dangereuses.



### Risques résiduels

Met en évidence les dangers qui entraînent des risques résiduels auxquels l'utilisateur doit faire attention afin d'éviter des blessures corporelles ou des dommages matériels.

## 2. Utilisation et avertissements de sécurité

### Consignes générales de sécurité

Même si vous vous êtes déjà familiarisé avec l'utilisation d'un vélo à pédalage assisté, veuillez suivre les instructions ci-dessous, en plus des précautions générales à observer lors de la conduite d'un véhicule motorisé.

Il est important de prendre le temps d'apprendre les bases de l'utilisation du produit afin d'éviter tout accident grave qui pourrait survenir lors des premières étapes d'utilisation. Contactez votre revendeur pour obtenir une assistance appropriée sur la façon d'utiliser correctement le produit ou pour être dirigé vers un organisme de formation approprié.

La société décline toute responsabilité, directe ou indirecte, due à d'une mauvaise utilisation du produit, du non-respect tant du code de la route que des instructions contenues dans ce mode d'emploi, des accidents et des litiges causés par le non-respect et les actions illégales.

Ce produit doit être utilisé à des fins récréatives, ne peut être utilisé par plus d'une personne à la fois et ne doit pas être utilisé pour transporter des passagers.

Ne modifiez pas l'utilisation prévue du véhicule de quelque manière que ce soit, ce produit ne convient pas aux cascades, aux compétitions, au transport d'objets, au remorquage d'autres véhicules ou d'appendices.

Le niveau de pression acoustique d'émission pondéré A à l'oreille du conducteur est inférieur à 70 dB(A).



### Utilisation du vélo à pédalage assisté

Chaque utilisateur doit d'abord avoir lu et compris les instructions et informations contenues dans ce manuel.

Si, au cours du montage, vous constatez des vices de fabrication, des passages imprécis ou des difficultés de montage ou de réglage, ne conduisez pas le véhicule et contactez votre vendeur ou visitez le site [www.platum.com/fr/ducati-urban-e-mobility/](http://www.platum.com/fr/ducati-urban-e-mobility/) pour obtenir une assistance technique.



### Risques liés à l'utilisation du vélo à pédalage assisté

Malgré l'application des dispositifs de sécurité, il faut, pour une utilisation du vélo en toute sécurité, prendre note de toutes les consignes relatives à la prévention des accidents indiquées dans ce manuel.

Restez toujours concentrés durant la conduite et ne sous-évaluez pas les risques résiduels liés à l'utilisation du vélo à pédalage assisté.

## ATTENTION

### Responsabilité

En tant que conducteur vous êtes tenu d'utiliser le vélo à pédalage assisté avec le maximum de concentration et en respectant pleinement le code de la route et toutes les normes en matière de cyclisme dans le pays de circulation.

Il est important de garder à l'esprit que lorsque vous êtes dans un lieu public ou sur la route, même si vous suivez ce mode d'emploi à la lettre, vous n'êtes pas à l'abri de blessures causées par des violations ou des actions inappropriées prises envers d'autres véhicules, obstacles ou personnes. Toute mauvaise utilisation du produit ou le non-respect des instructions de ce mode d'emploi peut entraîner de graves dommages.

Vous êtes également tenu de maintenir le vélo à pédalage assisté propre et en parfait état d'efficacité et d'entretien, d'effectuer avec diligence les contrôles de sécurité qui lui incombent et de conserver toute la documentation relative à l'entretien du produit.

En tant que conducteur, veuillez évaluer attentivement les conditions climatiques qui pourraient rendre dangereuses l'utilisation du vélo à pédalage assisté.

Ce produit est un véhicule, donc plus vous roulez vite, plus la distance de freinage est longue. Pour cela, nous vous recommandons de modérer votre vitesse et de maintenir une distance de freinage adéquate en cas de conditions météorologiques défavorables et / ou en cas de trafic intense.

Sur les routes mouillées, glissantes, boueuses ou verglacées, la distance de freinage augmente et l'adhérence diminue considérablement, ce qui peut entraîner le patinage des roues et vous déséquilibrer par rapport aux routes sèches.

Ainsi, veuillez conduire plus prudemment, maintenir une vitesse adéquate et garder une distance de sécurité avec les autres véhicules ou les piétons.

Soyez très prudent lorsque vous roulez sur des routes inconnues.

Pour votre propre sécurité, nous vous recommandons de porter un équipement de protection approprié (casque, genouillères et coudières) pour vous protéger des chutes et des blessures lorsque vous utilisez ce produit. Lorsque vous prêtez le

produit, faites porter au conducteur un équipement de sécurité et expliquez-lui comment utiliser le véhicule. Pour éviter toute blessure, ne prêtez pas le produit à des personnes qui ne savent pas comment l'utiliser.

Portez toujours des chaussures avant d'utiliser le produit.

Le produit a été conçu pour permettre le chargement d'un poids total maximum (conducteur et toute charge transportée) ne dépassant pas la valeur indiquée dans la fiche technique du produit.

En aucun cas, le produit ne doit être utilisé avec une charge totale supérieure à la charge nominale maximale, car cela pourrait endommager les composants structurels et électroniques du produit.

Le vélo à pédalage assisté ou pèdelec est un moyen de transport destiné au transport d'une seule personne conformément à la norme de référence actuelle EN 15194.

Le transport d'un passager n'est autorisé que dans le cadre des réglementations en vigueur dans le pays d'utilisation concernant : l'âge minimum du conducteur, l'âge

maximum du passager transporté, la mise à disposition de dispositifs de transport de passagers homologués et autorisés.

Il appartient à l'utilisateur de vérifier l'adéquation de l'équipement du produit utilisé pour le transport du passager en termes de caractéristiques de constructions, de systèmes de sécurité, de systèmes d'ancrage et de leur installation et montage sur le vélo à pédalage assisté conformément aux dispositions de sa structure et dans les limites de charge prévues (charge maximale supportée par le produit et le porte-bagages fourni, le cas échéant).

L'utilisateur est également responsable de l'équipement et de l'installation du produit avec des dispositifs pour le transport d'objets et d'animaux (par exemple, porte-bagages, sacoches, paniers de rangement, etc...) conformément aux

réglementations approuvées et autorisées dans le pays d'utilisation et aux dispositions de la structure du produit et dans les

limites de charge prévues (charge maximale supportée par le produit et le porte-bagages fourni, le cas échéant).



L'installation d'accessoires et d'équipements sur le produit, en plus d'être un facteur influençant ses performances et son utilisation, peut, en cas d'inadéquation, provoquer des dommages et compromettre son bon fonctionnement et les conditions de sécurité pendant l'utilisation.

Pour toute information sur la fourniture et l'installation d'un équipement adéquat et adapté à votre produit, veuillez contacter votre revendeur agréé ou des opérateurs spécialisés.

### **Mises en garde pour les utilisateurs**

- Le vélo à pédalage assisté ne peut être utilisé que par des adultes et des jeunes expérimentés.
- Ne consommez pas d'alcool ou de drogues avant d'utiliser le vélo à pédalage assisté.
- Ce modèle de vélo à pédalage assisté est conçu et construit pour être utilisé en plein air, sur les routes publiques ou les pistes cyclables.
- N'exigez pas du vélo à pédalage assisté des performances supérieures à celles pour lesquelles il a été conçu.
- Ne roulez jamais à vélo à pédalage assisté avec des pièces démontées.
- Conduisez avec les deux mains sur le guidon.
- Remplacez les pièces usées et/ou endommagées et contrôlez que les protections fonctionnent correctement avant utilisation.
- Tenez les enfants à l'écart des pièces en plastique (y compris les matériaux d'emballage) et des petites pièces qui peuvent provoquer une suffocation.
- Surveillez les enfants pour vous assurer qu'ils ne jouent pas avec le produit.
- Retirez toute arête vive causée par une mauvaise utilisation, un bris ou un endommagement du produit.

- Soyez extrêmement prudent lorsque vous utilisez le produit à proximité de piétons et veillez à ralentir et à signaler votre présence pour éviter d'effrayer ceux-ci en arrivant derrière eux.
- Assemblez le produit correctement.



## Mode d'emploi

Le vélo à pédalage assisté est un vélo équipé d'un moteur électrique auxiliaire qui ne s'active que lorsque les pédales sont actionnées.

Le moteur ne remplace donc pas le travail musculaire des jambes, mais les aide à faire moins d'efforts, en s'activant selon les modalités prévues par le fonctionnement des composants électriques et électroniques fournis avec le produit : batterie, commandes au guidon, capteurs et système électronique de contrôle (unité de commande).

En détail, le moteur électrique est alimenté par une batterie et est contrôlé par une unité de commande qui gère la distribution de puissance et la poussée supplémentaire à fournir à la contribution musculaire générée par le pédalage du cycliste, sur la base de la lecture des valeurs fournies en temps réel par une série de capteurs, situés à l'extérieur sur le cadre ou à l'intérieur des composants eux-mêmes, et en fonction des paramètres de gestion saisis par l'utilisateur à travers les commandes sur le guidon (Écran).

Le moteur électrique qui accompagne ce pédelec, conformément aux exigences de la directive européenne 2002/24/CE, en plus de s'activer exclusivement en soutien de la fonction de pédalage musculaire assurée par l'utilisateur, sera désactivé lorsque la vitesse atteindra 25 km / h.

Le vélo à pédalage assisté a été conçu et construit pour être utilisé en plein air, sur la voirie publique et sur les pistes cyclables, sur des surfaces asphaltées et / ou des terrains adaptés aux caractéristiques techniques et structurelles spécifiques du produit.

Toute modification de l'état de construction peut compromettre le comportement, la sécurité et la stabilité du vélo à pédalage assisté et entraîner un accident.

Aucun autre type d'utilisation, et aucune utilisation au-delà de celle prévue, ne correspond à la destination assignée par le fabricant, de sorte que le fabricant ne peut assumer aucune responsabilité pour les dommages qui pourraient en découler.

L'autonomie de la batterie livrée avec le vélo à pédalage assisté, et donc les données de parcours en km estimées, peut varier considérablement en fonction du mode d'utilisation spécifique (charge totale transportée, contribution musculaire du cycliste, niveau d'assistance électrique au pédalage sélectionné, fréquence des départs / redémarrages), de l'état mécanique et électrique du produit (pression et usure des pneus, niveau d'efficacité de la batterie) et des influences extérieures (pentes et revêtement de la chaussée, conditions météorologiques).

Avant chaque utilisation, vérifiez soigneusement le bon fonctionnement des freins et leur état d'usure, vérifiez la pression des pneus, l'usure des roues et l'état de charge de la batterie.

Vérifiez régulièrement le serrage des différentes pièces boulonnées. Les écrous et toutes les autres fixations autobloquantes peuvent perdre leur efficacité, il est donc nécessaire de vérifier et de resserrer périodiquement ces composants.

Comme tous les composants mécaniques, ce produit est sujet à l'usure et à de fortes contraintes. Des matériaux et des composants différents peuvent réagir à l'usure ou à la fatigue sous contrainte de différentes manières. Si la durée de vie d'un composant est dépassée, ce dernier peut se briser brusquement et vous blesser. Toute fissure, rayure ou changement de couleur dans les zones fortement sollicitées indique que la durée de vie du composant a été atteinte et qu'il doit être remplacé.



### Vitesse autorisée

La vitesse maximale autorisée par la loi est de 25km/h.

L'unité de commande a été programmée pour ne pas permettre de variations au paramètre de vitesse maximale.

Toute intervention non autorisée sur l'unité de commande par le fabricant entraînera non seulement l'annulation des conditions de garantie du produit, mais exclura également celui-ci de toute responsabilité pour les dommages causés aux personnes et / ou aux biens.



### Risque d'accidents

Gardez une vitesse et un comportement adaptés à vos capacités, n'utilisez jamais le vélo à pédalage assisté à une vitesse supérieure à 25 km / h, car cela pourrait causer des dommages et des blessures graves à vous-même ou à d'autres personnes.



### Environnement d'utilisation

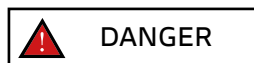
- Le vélo à pédalage assisté peut être utilisé en extérieur, en l'absence de conditions climatiques défavorables (pluie, grêle, neige, vent fort, etc.).
- Température maximale admise : +40°C
- Température minimale admise : +0°C
- Humidité maximale admise : 80%

La surface de la zone d'utilisation doit être asphaltée, plate et compacte, sans aspérités, nid de poule ou affaissements, sans obstacles et taches d'huile.

En outre, le lieu d'utilisation doit être éclairé, soit par le soleil, soit par une lumière artificielle, de manière à assurer une bonne visibilité du parcours et des commandes du vélo à pédalage assisté (300 à 500 lux recommandés).

## Utilisations incorrectes et contre-indications

Les actions décrites ci-dessous, qui ne peuvent évidemment pas couvrir toutes les possibilités d'« utilisation incorrecte » du vélo à pédalage assisté, sont à considérer comme strictement interdites.



### Il est strictement interdit de:

Utiliser le vélo à pédalage assisté à d'autres fins que celles pour lesquelles il a été construit.

- Utiliser le vélo à pédalage assisté si votre poids est supérieur à celui autorisé.
- Utiliser le vélo à pédalage assisté sous l'influence de l'alcool ou de drogues.
- Utiliser le vélo à pédalage assisté dans des zones à risque d'incendie, d'explosion ou dans des environnements avec une atmosphère corrosive et / ou chimiquement active.
- Utiliser le vélo à pédalage assisté en présence de conditions climatiques défavorables (pluie battante, grêle, neige, fort vent fort, etc.).
- Utiliser le vélo à pédalage assisté dans des zones mal éclairées.
- Roulez ou stationnez sur un terrain irrégulier et accidenté (chaussée irrégulière, avec nids de poule, affaissements, obstacles, etc.) pour éviter le risque de chute et les dommages qui en résultent pour le cycliste et le produit.
- Charger la batterie dans un environnement trop chaud ou non suffisamment aéré.
- Couvrir la batterie durant la recharge.
- Fumer ou utiliser des flammes libres près de la zone de recharge.
- Effectuer une quelconque intervention d'entretien avec la batterie branchée.
- Introduire les membres ou les doigts entre les parties mobiles du vélo.
- Toucher les freins immédiatement après leur utilisation en raison de leur surchauffe.
- Ne laissez pas les composants électriques et électroniques du vélo à pédalage assisté ou pedelec entrer en contact avec de l'eau ou d'autres liquides.
- Ne modifiez pas ou ne transformez pas le produit ou ses parties mécaniques et électroniques de quelque façon que ce soit pour éviter le risque de dommages structurels, d'altération de son efficacité et de dommages.

Si vous détectez des défauts d'usine, des bruits inhabituels ou des anomalies, n'utilisez pas le véhicule et contactez votre revendeur ou visitez le site

[www.platum.com/fr/ducati-urban-e-mobility/](http://www.platum.com/fr/ducati-urban-e-mobility/)

### Protections

Il est strictement interdit de modifier ou de retirer les protections de la batterie, de la chaîne et des autres composants installés ainsi que les plaques d'avertissement et d'identification.

### 3. Liste d'emballage

- - DUCATI MG-20 E-BIKE pré-assemblée
- - Selle + Tige de selle + Réflecteur arrière (fig.A)
- - Garde boue avant (fig.B)
- - Garde boue arrière (fig.C)
- - Feu arrière rechargeable LED (fig.D)
- - Câble de charge USB pour feu arrière LED
- - Chargeur (fig.E)
- - Clé Allen. 4mm
- - 2 clés de verrouillage / déverrouillage de la batterie



fig.A



fig.B



fig.C



fig.D



fig.E

## 4. Panoramique du produit



- |  |   |
|--|---|
| 1. Selle                                   | 20. Pneu avant  |
| 2. Tige de selle                           | 21. Roue avant  |
| 3. Collier de tige de selle                | 22. Frein avant (côté opposé)                                       |
| 4. Batterie Li-Ion                         | 23. Disque de frein avant (côté opposé)                             |
| 5. Garde boue arrière                      | 24. Fourche   |
| 6. Pneu arrière                            | 25. Feu avant LED   |
| 7. Roue arrière                            | 26. Levier de verrouillage / déverrouillage de la potence du guidon |
| 8. Frein arrière (côté opposé)             | 27. Potence de guidon   |
| 9. Disque de frein arrière (côté opposé)   | 28. Fixation de guidon  |
| 10. Moteur                                 | 29. Guidon  |
| 11. Jeu de pignons/Cassette                | 30. Levier de frein de la roue arrière (côté droit)                 |
| 12. Dérailleur arrière                     | 31. Manette de vitesses   |
| 13. Béquille (côté opposé)                 | 32. Écran LCD   |
| 14. Chaîne                                 | 33. Sonnette  |
| 15. Plateau                                | 34. Levier de frein de la roue avant (côté gauche)                  |
| 16. Manivelle                              | 35. Mécanisme d'ouverture / de fermeture du cadre                   |
| 17. Pédales                                | 36. Réflecteur arrière  |
| 18. PAS - capteur de cadence (côté opposé) | 37. Feu arrière rechargeable LED                                    |
| 19. Garde boue avant                       | 38. Numéro de série du châssis                                      |

## 5. Spécifications techniques

### Informations générales

Roues	20" - jante 6 rayons noir, Magnesium Pressure Casting
Fourche	hard fork, Magnesium Pressure Casting
Friens	"à disque mécanique à l'avant et à l'arrière - leviers de frein avec capteur de protection de vitesse (cut-off sensor)"
Boîte de vitesses	7 vitesses (1x7) - dérailleur arrière mécanique 6 vitesses (1x6) - dérailleur arrière
Transmission	chaîne - plateau 44T - cassette 6 pignons (14-16-18-21-24-28T)
Cadre	pliable, Magnesium Pressure Casting
Vitesse maximale	25 km/h
Charge maximale	100 kg

### Système électrique

Lumières	Feu avant LED
Écran	LCD avec niveaux d'assist d'assistance, voyants ON / OFF, odomètre avec fonctions associées
Moteur	36V, 250W, IP54, arrière
Batterie	Li-Ion 36V, 10.5Ah, 378Wh intégré au cadre et amovible
Chargeur	Input: AC 100V-240V 2.5A (Max) - Output: DC 42V 2.0A (Max)
Temps de charge	4/5 heures

### Dimensions et poids (± 5%)

Poids de la batterie	2.0 kg
Poids sans batterie	18.5 kg
Poids total.	20.5 kg
Dimensions de l'E-bike	1520 x 580 x 1070 mm
Dimensions de l'E-bike	830 x 420 x 665 mm

## 6. Assemblage

Sortez soigneusement le produit de son emballage\* et retirez les matériaux de protection, en veillant à ne pas endommager son apparence et à ne pas forcer les câbles ou les pièces prémontées.

\*Le déballage doit être effectué par deux adultes afin de garantir l'intégrité du produit et d'éviter tout risque de blessure et / ou d'écrasement.

Après avoir aligné la partie avant du cadre avec la partie arrière en les faisant tourner autour de l'axe de la charnière de raccordement, serrez le levier présent dans le mécanisme d'ouverture /de fermeture du cadre comme suit :

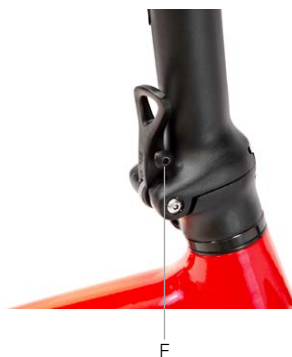
tourner le levier du mécanisme d'ouverture/fermeture du cadre (A) en direction de l'avant du cadre, en prenant soin d'insérer le dispositif de verrouillage (B) du levier dans son logement (C) et pousser le levier en veillant à ce qu'il soit serré par son dispositif de verrouillage.



En appuyant sur le bouton de déverrouillage du mécanisme d'ouverture/fermeture (D), en le tirant et le tournant vers l'arrière du cadre on replie le cadre.

## Positionnement de la potence du guidon

Relever la potence du guidon en position verticale tout en maintenant le levier de blocage/déverrouillage (E) en position abaissée, puis serrer ce dernier en tournant le levier de blocage/déverrouillage vers la potence du guidon.



En appuyant sur le bouton de sécurité du levier de verrouillage/déverrouillage de la potence du guidon (F), il sera possible, en tournant le levier vers le bas, de le déverrouiller et de le replier.

## Installation du guidon

Positionnez la potence du guidon à l'avant, en l'alignant avec le cadre et la roue avant, en tournant les vis de serrage correspondantes sur la potence du guidon (fig. A).



fig.A

À l'aide d'une clé allen de 4 mm, desserrez progressivement et alternativement, dans le sens inverse aux aiguilles d'une montre, les quatre vis qui fixent le plastron sur l'extrémité de la potence (fig. B), jusqu'à ce qu'elles puissent être retirées (fig. C).

Centrer le guidon dans le logement situé sur le corps de la potence (fig. D) et positionnez le plastron de la potence précédemment retiré dans son logement d'origine, en insérant et en vissant légèrement et alternativement, dans le sens des aiguilles d'une montre, les vis de fixation pour régler le positionnement souhaité du guidon.

Terminer l'installation du guidon en serrant les vis dans l'ordre indiqué jusqu'à ce qu'elles soient complètement serrées (fig. E).



fig.B



fig.C



fig.D



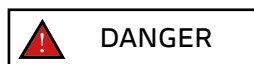
fig.E

## Installation et positionnement de la tige de siège

Insérez la tige de selle dans le tube de selle du cadre et, après avoir correctement positionné la selle, fixez correctement la tige de selle à l'aide du dispositif de serrage (collier de selle) du cadre.

Desserrez le mécanisme de serrage rapide (collier de serrage rapide de la tige de selle), qui fixe la tige de selle au tube de selle du cadre, ce qui permet de tirer et/ou d'insérer la tige de selle jusqu'à la hauteur désirée, en veillant à ce que la selle soit alignée avec la ligne centrale du tube horizontal du cadre de la bicyclette.

Terminez en serrant le collier de serrage de la tige de selle jusqu'à ce que la tige de selle soit fixée au tube de selle du cadre.



### Limite minimale d'insertion de la tige de selle

Il est strictement interdit d'extraire la tige de selle du tube de potence du cadre au-delà du niveau d'insertion indiqué dessus pour éviter le risque de provoquer des dommages structurels au vélo (cadre et/ou tige de selle) et de s'exposer à de sérieux accidents.

Le positionnement correct et sûr de la tige de selle à l'intérieur du tube de potence du cadre sera confirmé par l'exécution d'une procédure d'insertion qui exclut la visibilité du marquage pertinent et / ou l'indication graphique de la limite d'insertion minimale.

### Installation du feu arrière

Le feu arrière LED fourni avec le vélo, doté de batterie intégrée rechargeable à l'aide d'un câble de charge USB, peut être monté sur la tige de selle et allumé et/ou éteint manuellement à l'aide d'un bouton situé sur le feu lui-même.

### Installation des garde-boue (en option)



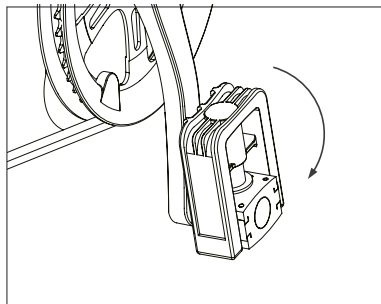
Garde-boue avant



Garde-boue arrière

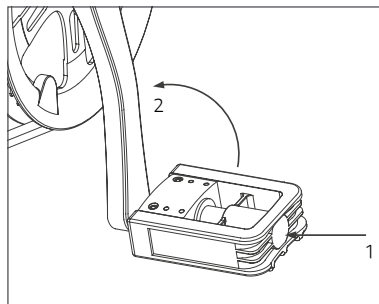
## Pédales

Ouverture de la pédale



Saisir le corps de la pédale et le tourner vers l'extérieur.

Fermeture de la pédale



Appuyer sur la pédale en direction du pédalier et tourner cette dernière vers l'intérieur.

### Démontage des pédales

Retirer la pédale du côté droit du vélo à l'aide d'une clé de 15 mm en tournant dans le sens inverse des aiguilles d'une montre (tourner dans le sens de la roue arrière). Retirer la pédale du côté gauche du vélo à l'aide d'une clé de 15 mm en tournant dans le sens inverse des aiguilles d'une montre (tourner dans le sens de la roue arrière).

### Installation des pédales

Localisez la pédale de droite (marquée de la lettre R) et la pédale de gauche (marquée de la lettre L).

Installez la pédale de droite (R) en insérant la tige filetée de la pédale dans le pédalier correspondant du côté droit du vélo et en la vissant dans le sens horaire (dans le sens de la roue avant) jusqu'à ce qu'elle soit serrée à l'aide d'une clé de 15 mm.

Installez la pédale de gauche (L) en insérant la tige filetée de la pédale dans le pédalier correspondant sur le côté gauche du vélo et en la vissant dans le sens inverse des aiguilles d'une montre (tourner dans le sens de la roue avant) jusqu'à ce qu'elle soit serrée à l'aide d'une clé de 15 mm.



**ATTENTION**

### Jeu de clés de batterie

Le vélo est fourni avec 2 clés associées de manière unique à la serrure de la batterie pour permettre le verrouillage et/ou le déverrouillage à partir du cadre.

Conservez les clés en lieu sûr, en veillant à ne pas les perdre et à éviter que la batterie ne soit retirée du cadre du vélo.

N'utilisez pas le produit en maintenant la clé insérée dans la serrure du cadre pour éviter le risque de vol ou l'endommagement accidentel provoqué par des impacts.

## ATTENTION

Vérifiez et contrôlez régulièrement le bon serrage des différentes pièces boulonnées, des vis de fixation, des mécanismes de fixation rapide et des axes traversants, ainsi qu'un contrôle général de l'état de toutes les pièces.

Les écrous et toutes les autres fixations auto-serrantes peuvent perdre de leur efficacité, et il est donc nécessaire de les contrôler régulièrement et de les serrer.

Les valeurs des couples de serrage conseillées pour la fixation des composants spécifiques présents sur le produit sont inscrites sur les éléments.

Un couple de serrage correct (vis, boulons, écrous) est fondamental pour la sécurité. Si la force appliquée est insuffisante, la tenue n'est pas garantie. Une force excessive peut en revanche abîmer les filetages ou provoquer l'allongement, la déformation ou la rupture du dispositif de fixation. Dans les deux cas, un couple de serrage incorrect peut entraîner des pertes de contrôle et des chutes.

Contrôlez que chaque vis est serrée au couple spécifié, lorsqu'il est indiqué.

Après la première utilisation, puis de manière régulière, reconstrôlez le serrage de chaque vis pour garantir une fixation sûre des composants.

La vérification du serrage correct des composants au moyen de systèmes à levier (mécanismes de serrage rapide), réglés en agissant sur l'écrou de serrage et non sur le levier de blocage du mécanisme, en l'absence d'indications techniquement précises des valeurs relatives, peut être effectuée en vérifiant que le composant respectif serré n'est pas mobile et/ou instable s'il est soumis à une forte tentative de retrait et/ou d'extraction et en vérifiant que le levier de serrage présente une résistance adéquate lors de la fermeture (telle qu'elle laisse une empreinte sur la paume de la main utilisée pour serrer le levier, appelée « empreinte sur la paume »).

et, après sa fermeture, en exerçant une force considérable pour pouvoir l'ouvrir.

La possibilité de manœuvrer le levier de verrouillage du mécanisme en exerçant une pression manuelle minimale indique que les conditions de verrouillage sont insuffisantes et qu'il est nécessaire de serrer davantage l'écrou de réglage.

## ATTENTION

### Vérification négative

Si, lors du montage et de la mise en service du produit, vous constatez des vices de fabrication, des étapes peu claires ou des difficultés de montage, n'utilisez pas le vélo à pédalage assisté et contactez le service après-vente de votre revendeur agréé ou visitez le site [www.platum.store/en/assistance](http://www.platum.store/en/assistance) pour obtenir une assistance appropriée.

## 7. Batterie

Le vélo à pédalage assisté démarre et alimente ses fonctions électriques et électroniques grâce à la batterie lithium-ion fournie avec le produit, correctement rechargée et installée.



Prise pour connecteur de charge

Verrouillage/déverrouillage

### Retrait et insertion de la batterie

La batterie peut être retirée du cadre du vélo pour éviter le vol, pour être rechargée ou pour être stockée dans des conditions optimales.

Insérer la clé fournie dans la serrure de la batterie et, après avoir tourné la clé dans le sens des aiguilles d'une montre jusqu'à la position de déverrouillage, retirer la batterie de son logement en la tirant vers le haut à l'aide de la poignée fournie.



Insérez la batterie dans son logement intégré au cadre du vélo, en la fixant en tournant la clé vers la gauche jusqu'à la position verrouillée. Vérifiez que la batterie est correctement installée et verrouillée en tentant vigoureusement de l'extraire et / ou en vous assurant qu'elle est fermement ancrée au châssis et qu'elle n'est pas mobile.

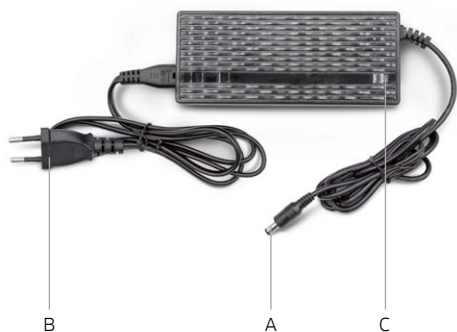
## ATTENTION

Avant d'utiliser le vélo à pédalage assisté pour la première fois, il est nécessaire d'effectuer un cycle complet de recharge à l'aide du chargeur de batterie spécial fourni. Le temps moyen de recharge complète de la batterie, qui varie en fonction du niveau de charge résiduelle de la batterie, peut être estimé entre 4 et 9 heures.

Nous recommandons de recharger la batterie avec son chargeur après chaque utilisation du vélo à pédalage assisté.

### Procédure de recharge de la batterie

Utilisez uniquement le chargeur fourni ou un modèle agréé ayant les mêmes caractéristiques techniques, en veillant à respecter les instructions et les consignes d'emploi indiquées sur le chargeur ou dans le manuel.



- A. Connecteur de charge
- B. Fiche du câble secteur
- C. Indicateur LED de l'état de charge de la batterie

Assurez-vous que le chargeur, le connecteur de charge, la prise du connecteur de charge de la batterie et la prise du câble d'alimentation sont secs.

Branchez le connecteur de recharge du chargeur dans la prise du connecteur de recharge de la batterie, puis branchez la fiche du câble d'alimentation dans la prise de courant (220V-240V ~ 50/60Hz).

Pendant le cycle de charge de la batterie, le chargeur met en évidence un témoin LED de couleur rouge. La présence ultérieure du témoin de couleur verte indique que le cycle de charge de la batterie est terminé.

Débranchez le connecteur de recharge du chargeur de la prise du connecteur de recharge de la batterie et débranchez la fiche du câble d'alimentation de la prise de courant pour terminer la procédure de recharge.

## ATTENTION

L'utilisation d'un chargeur différent de celui fourni, inapproprié ou non approuvé pour charger la batterie du produit peut entraîner des dommages au produit ou d'autres dangers potentiels.

Ne chargez jamais le produit sans surveillance.

N'allumez pas et ne roulez pas en vélo pendant la charge. Tenez hors de portée des enfants pendant la charge.

Ne placez rien sur le chargeur pendant son utilisation, ne laissez aucun liquide ou métal pénétrer dans le chargeur.

Le chargeur devient chaud pendant le cycle de charge de la batterie.

Ne rechargez pas le produit immédiatement après son utilisation. Laissez le produit refroidir avant de le recharger.

Le produit ne doit pas être chargé pendant de longues périodes. La surcharge réduit la durée de vie de la batterie et présente des risques potentiels supplémentaires.

Il est conseillé de ne pas laisser le produit se décharger complètement afin d'éviter d'endommager la batterie et d'entraîner une perte d'efficacité. Les dommages causés par une absence prolongée de charge sont irréversibles et ne sont pas couverts par la garantie limitée. Une fois le dommage survenu, la batterie ne peut plus être rechargée (le démontage de la batterie par du personnel non qualifié est interdit car cela pourrait entraîner des chocs électriques, des courts-circuits ou même des incidents de sécurité majeurs). Chargez la batterie à intervalles réguliers (au moins une fois toutes les 3 à 4 semaines), même si vous n'utilisez pas le vélo à pédalage assisté pendant une longue période.

Chargez la batterie dans un environnement sec, à l'écart des matériaux inflammables (par exemple, des matériaux qui pourraient s'enflammer), de préférence à une température interne comprise entre 15 et 25°C, mais jamais en dessous de 0°C ou au-dessus de + 45°C.

Effectuez un contrôle visuel régulier du chargeur et des câbles du chargeur. N'utilisez pas le chargeur si vous constatez des dommages.

### **Autonomie et durabilité de la batterie**

L'autonomie de la batterie livrée avec le vélo à pédalage assisté, et donc les données de parcours en km estimées, peut varier considérablement en fonction du mode d'utilisation spécifique (charge totale transportée, contribution musculaire du cycliste, niveau d'assistance électrique au pédalage sélectionné, fréquence des départs / redémarrages), de l'état mécanique et électrique du produit (pression et usure des pneus, niveau d'efficacité de la batterie) et des influences extérieures (pentes et revêtement de la chaussée, conditions météorologiques).

Au fil du temps, la capacité et les performances fournies par la batterie diminuent en raison de la détérioration électrochimique physiologique de ses cellules.

Il est impossible de prévoir la durée de vie exacte de la batterie, car elle dépend principalement du type d'utilisation et des contraintes auxquelles elle est soumise. Pour favoriser la longévité de la batterie, celle-ci doit être stockée

dans un endroit sec, à l'abri de la lumière directe du soleil et de préférence à une température interne comprise entre 15 et 25 °C, mais jamais inférieure à 0 °C ou supérieure à + 45 °C, idéalement à température ambiante et d'éviter de la surcharger ou de la décharger complètement lorsqu'elle est utilisée, et de la recharger à intervalles réguliers même si le vélo à pédalage assisté n'est pas utilisé pendant une période prolongée (au moins 1 fois toutes les 3 à 4 semaines). Veuillez garder à l'esprit que le froid réduit les performances de la batterie. Pour le fonctionnement en hiver, il est recommandé de charger et de garder la batterie à température ambiante et de ne l'insérer dans le vélo à pédalage assisté que peu de temps avant son utilisation.



### **Avertissements concernant la batterie**

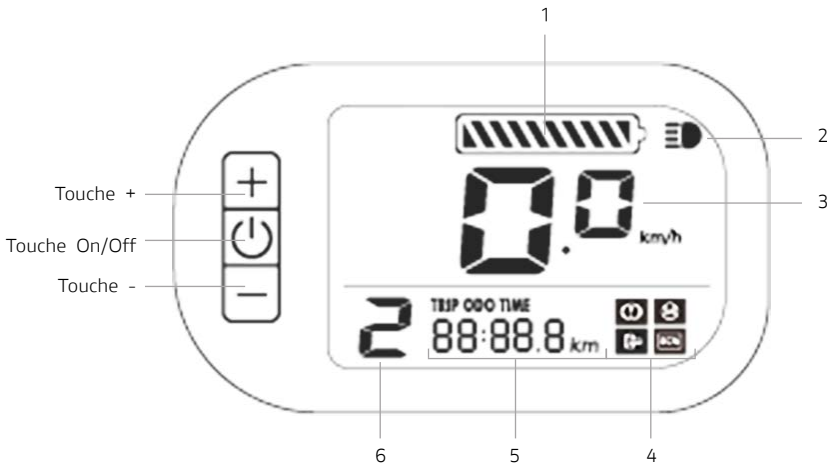
La batterie est composée de cellules lithium-ion et de produits chimiques dangereux pour la santé et l'environnement.

- N'utilisez pas le produit s'il dégage des odeurs, des substances ou une chaleur excessive.
- Ne mettez pas au rebut le produit ou la batterie avec les déchets ménagers.
- L'utilisateur final est responsable de l'élimination des équipements électriques et électroniques et des batteries conformément à toutes les réglementations en vigueur.
- Évitez d'utiliser des batteries usagées, défectueuses et / ou non originales, d'autres modèles ou marques.
- Ne laissez pas la batterie à proximité d'un feu ou de sources de chaleur. Risque d'incendie et d'explosion.
- N'ouvrez pas ou ne démontez pas la batterie et ne frappez pas, ne jetez pas, ne percez pas la batterie et n'y fixez pas d'objets.
- Ne touchez pas les substances qui s'échappent de la batterie, car elle contient des substances dangereuses.
- Ne laissez pas les enfants ou les animaux toucher la batterie.
- Ne surchargez pas ou ne court-circuitiez pas la batterie. Risque d'incendie et d'explosion.
- Il ne faut jamais laisser la batterie sans surveillance pendant la charge. Risque d'incendie ! Il ne faut jamais connecter la prise de recharge avec des objets métalliques.
- Évitez d'immerger ou d'exposer la batterie à l'eau, sous la pluie ou à d'autres substances liquides.
- N'exposez pas la batterie à la lumière directe du soleil, à une chaleur ou un froid excessif (par exemple, ne laissez pas le produit ou la batterie dans une voiture en plein soleil pendant une période prolongée), à un environnement contenant des gaz explosifs ou des flammes.
- Ne transportez pas et ne stockez pas la batterie avec des objets métalliques tels que des épingles à cheveu, des colliers, etc. Le contact entre des objets métalliques et les contacts de la batterie peut provoquer un court-circuit entraînant des dommages physiques ou la mort.

## 8. Écran (d'affichage)

Le vélo à pédalage assisté est équipé d'un dispositif de commande placé sur le guidon, d'un écran LCD, alimenté par la batterie fournie avec le produit, qui permet le contrôle des données et la gestion complète de toutes les fonctions électriques et électroniques du produit.

### Aperçu des commandes et des symboles



1. Indicateur de charge restante de la batterie
2. Voyant d'activation du feu LED avant
3. Compteur de vitesse numérique : indicateur de vitesse instantanée détectée en cours d'utilisation
4. Voyants de système
5. Affichage des données d'utilisation (TRIP - ODO - TIME)
6. Indicateur du niveau d'assistance au pédalage sélectionné

## Description des fonctions

Marche/Arrêt :

appuyer sur la touche On/Off pour allumer ou éteindre l'écran LCD et activer ou désactiver le système.

Sélection du niveau d'assistance au pédalage :

Appuyez brièvement sur la touche + ou - pour augmenter ou diminuer le niveau d'assistance au pédalage fourni par le moteur.

Les niveaux d'assistance au pédalage pouvant être sélectionnés sont compris entre 1 et 3. En sélectionnant le niveau 1, on passe en mode de pédalage avec une assistance électrique minimale fournie par le moteur.

En sélectionnant le niveau 3, on passe en mode de pédalage avec une assistance électrique maximale fournie par le moteur.

En appuyant sur la touche - pour sélectionner le niveau 0, on exclut l'activation de l'assistance électrique au pédalage.

Marche/Arrêt du feu avant :

appuyer sur la touche + pendant au moins 3 secondes pour allumer ou éteindre le feu avant.

Affichage des données d'utilisation (TRIP - ODO - TIME) :

appuyer brièvement sur la touche On/Off pour sélectionner et afficher successivement les données spécifiques d'utilisation du pédalage assisté disponibles concernant :

- TRIP = affichage de la distance partielle parcourue
- ODO = affichage de la distance totale parcourue
- TIME = affichage en fonction de la durée d'utilisation

Indicateur du niveau de charge résiduelle de la batterie :

le niveau de charge de la batterie est indiqué sur l'écran d'affichage par la présence d'un nombre de segments compris entre 0 et 10.

La présence de 10 segments indique le pourcentage maximal de l'autonomie ou intervalle de charge de la batterie défini et détecté instantanément.

La réduction du nombre de segments donne une indication du niveau de charge de la batterie décroissant disponible et de l'autonomie qui en découle.

Les segments individuels sont indicatifs de l'autonomie spécifique de la batterie détectée à ce moment-là et ne sont pas nécessairement proportionnels à l'autonomie restante.

Le niveau de charge de l'indicateur de batterie peut fluctuer en fonction de l'utilisation du vélo à pédalage assisté, par exemple, en cas de montée, le niveau affiché peut baisser rapidement car la consommation de la batterie est beaucoup plus élevée.

Voyants de système:

pour plus d'infos, cf. chapitre 12 du manuel.

## 9. Mise en service

Avant d'utiliser votre vélo à pédalage assisté, en plus de contrôler l'état de charge et de l'installation appropriée de la batterie, afin de vous permettre de prendre un bon départ et de garantir une utilisation efficace et sûre du produit, il est toujours

bon de contrôler soigneusement chaque pièce et d'effectuer les réglages nécessaires sur les composants mécaniques correspondants, soit directement, soit avec l'aide d'opérateurs spécialisés. Pour ces opérations voir : réglage et serrage de la selle et de la tige de selle, réglage et serrage du guidon et de la potence, réglage des freins, réglage du dérailleur arrière, lubrification de la chaîne et des engrenages, contrôle des roues et de la pression des pneus, contrôle général du bon serrage des vis de fixation, des attaches rapides et des axes traversants, ainsi qu'un contrôle général de l'état de toutes les pièces.

### Selle

La position sur le vélo est très importante pour assurer le meilleur confort d'utilisation du produit, pour permettre un pédalage correct et pour éviter les problèmes de sécurité.

C'est pourquoi il est important que la selle et sa tige de selle soient positionnées et réglées de manière à s'adapter à la physiologie de l'utilisateur.

Pour régler la hauteur de la selle, il est nécessaire de desserrer le collier qui retient la tige de selle dans le cadre et de le rehausser ou de l'abaisser en fonction de vos besoins, en veillant à ne pas le sortir au-delà de la limite indiquée sur le collier pour éviter le risque de possibles fractures du cadre ; une fois que la position souhaitée a été définie en respectant les précautions relatives à l'extraction de la tige de selle, fixez-la en serrant le collier jusqu'à ce qu'elle soit correctement serrée pour éviter qu'elle ne devienne mobile et / ou instable.

En général, il est conseillé de régler la hauteur de la selle en vous assurant que lorsque vous placez votre pied sur la pédale positionnée au point de rotation le plus bas, la jambe correspondante est presque complètement étendue.

Pour régler l'avancement de la selle, desserrer le système de fixation présent dans le support de tige de selle pour pouvoir prédisposer la position souhaitée puis resserrer correctement le système de fixation afin d'éviter le jeu et les mouvements.

### Guidon

Pour régler la position et l'inclinaison du guidon, desserrez le système de serrage de la fixation du guidon, faites pivoter le guidon dans la position souhaitée et fixez-le en serrant le système de serrage afin de l'immobiliser.

### Freins

L'installation de freinage du produit prévoit des freins à disque mécaniques actionnables sur la roue avant et sur la roue arrière au moyen des leviers correspondants situés sur le guidon.

Le levier de frein situé sur le côté droit du guidon actionne le frein arrière, arrêtant la roue arrière, tandis que le levier de frein situé sur le côté gauche du guidon actionne le frein avant, arrêtant la roue avant.

Les leviers des freins, avant et arrière, doivent être situés et orientés de manière à maximiser leur ergonomie en favorisant une position naturelle de la main et des doigts utilisés pour les actionner, en minimisant la force et le temps nécessaires pour permettre l'activation du freinage et sans négliger la possibilité d'avoir une bonne modulation de celui-ci.

Les leviers de frein installés sont équipés individuellement d'un dispositif (capteur de coupure) provoquant, à l'actionnement du levier du frein auquel il est relié, le désarmement électronique immédiat de la propulsion du moteur.

Vérifiez le fonctionnement des freins en effectuant un test de freinage à basse vitesse (max 6 km/h) dans une zone sans obstacle.

L'état d'usure progressive des plaquettes de frein installées sur les étriers correspondants, réduisant leur épaisseur, obligera les leviers de frein correspondants à avoir une plus grande course pour exercer la même force de freinage, pour compenser ce type d'usure, veuillez agir sur la bague de réglage du câble de frein, située derrière le levier correspondant, pour rétablir des conditions de freinage optimales ; en cas d'usure excessive des plaquettes de frein, il sera nécessaire de les remplacer.

### **Boîte de vitesses et transmission**

Le système de changement de vitesse à câble livré avec le produit est indexé et permet de modifier le rapport de vitesse et le développement métrique du coup de pédale en agissant sur le dispositif de commande situé sur le guidon, en déterminant le mouvement latéral de la chaîne sur le pignon correspondant de la boîte installée sur la roue arrière à travers le dérailleur correspondant.

Vérifiez que la boîte de vitesse fonctionne correctement et qu'elle est bien réglée, et que la chaîne et les pignons d'entraînement sont propres et suffisamment lubrifiés.

### **Roues et pneus**

Vérifiez que les roues sont correctement centrés, qu'ils sont correctement installés et serrés.

Vérifiez la présence et l'installation correcte des catadioptres.

Vérifiez l'état et le degré d'usure des pneus : il ne doit pas y avoir de coupures, de fissures, de corps étrangers, de gonflements anormaux, de plis visibles ou d'autres dommages.

Vérifiez la pression de gonflage des pneus en vous référant à la plage spécifique de valeurs minimales et maximales indiquée sur le flanc des pneus (la valeur de la pression appropriée doit être personnalisée en fonction du poids transporté, des conditions météorologiques et de la chaussée).

Des pneus correctement gonflés améliorent non seulement le glissement des roues mais réduisent également le risque de crevaison et de détérioration.

## 10. Stockage, entretien et nettoyage

Pour garantir et maintenir un bon niveau de sécurité et de fonctionnalité du produit dans le temps, il est impératif de le soumettre à des contrôles réguliers et à un entretien périodique.

Certaines opérations d'inspection et de maintenance peuvent être effectuées directement par l'utilisateur ou par toute personne possédant des compétences mécaniques de base, une dextérité manuelle et des outils appropriés.

D'autres opérations nécessitent l'expertise et les outils spécifiques d'un opérateur qualifié.

Votre revendeur peut vous fournir toutes les informations concernant les opérations de contrôle pouvant être effectuées directement par l'utilisateur et vous suggérer les opérations d'entretien ordinaire à effectuer périodiquement en fonction de l'intensité et des conditions d'utilisation du produit.

Toutes les opérations d'entretien doivent être effectuées avec la batterie débranchée et en prenant soin de faire reposer la bicyclette sur la béquille.

Les différentes pièces qui composent le produit sont soumises à diverses formes d'usure dues à l'utilisation.

En particulier, nous recommandons une inspection et un entretien réguliers des composants suivants : pneus, roues, freins, boîte de vitesses, chaîne et cadre.

Les **pneus** installés sur le produit sont soumis à une usure physiologique de la bande de roulement, qui peut être accentuée par des méthodes et un environnement d'utilisation spécifiques, et sont soumis à un durcissement naturel dans le temps du composé de caoutchouc qui les compose.

Vérifiez constamment la pression correcte des chambres à air installées dans les pneus pour réduire le risque de crevaison, limiter le processus de détérioration et garantir une utilisation plus sûre et plus efficace du produit.

Inspectez périodiquement l'état des pneus pour vérifier leur usure et leur vieillissement / détérioration et remplacez-les par des pneus avec les mêmes caractéristiques si nécessaire.

L'intégrité des **roues** qui accompagnent le produit doit être constamment vérifiée pour détecter les déformations, bosses, fissures et / ou autres signes de corrosion et de dommages exigeant un remplacement pour des raisons de sécurité.

Pour garantir le bon fonctionnement des **freins**, en plus du contrôle régulier de l'état d'usure et de l'intégrité des disques et des pinces, remplacez périodiquement les plaquettes de frein installées sur les pinces correspondantes avant qu'elles n'atteignent une épaisseur inférieure à 1 mm et contrôlez périodiquement l'état d'usure des câbles en acier à l'intérieur des gaines du système de freinage et remplacez-les pour éviter tout risque de rupture.

Le bon fonctionnement de la chaîne cinématique du pédalage assisté est assuré par un entretien et un réglage appropriés de ses composants.

Le système de **boîte de vitesse** à câble fourni avec le produit, étant un composant fortement sollicité pendant l'utilisation et toujours sous tension mécanique, est susceptible de perdre facilement son réglage ; la permanence et / ou le rétablissement des conditions correctes de fonctionnement du dérailleur arrière indexé sont garantis par un réglage adéquat du dérailleur (vis de fin de course) et par le réglage du câble du dérailleur arrière.

La **chaîne** et les engrenages de transmission correspondants sont sujets à l'usure due à l'utilisation et, afin de garantir leur intégrité et leur efficacité en termes de fluidité et de silence, veuillez les nettoyer et les lubrifier régulièrement avec des produits spécifiques (goutte à goutte ou spray, sec ou humide), adaptés à la saison et au mode d'utilisation du

produit et remplacés périodiquement.

Ne lubrifiez qu'après avoir nettoyé et dégraissé correctement les pièces concernées et, par la suite, surtout en cas d'utilisation de lubrifiants huileux, en prenant soin d'éliminer tout excès de lubrifiant.

Le **cadre** du produit doit être inspecté régulièrement afin d'exclure la présence de tout symptôme de fissuration et/ou de ce que l'on appelle la « fatigue du matériau » et de permettre une intervention opportune pour réduire et/ou éliminer le risque de dommage et/ou de rupture.

Il est conseillé de contrôler soigneusement chaque fixation du produit, par des contrôles préventifs et périodiques générales sur le serrage correct des écrous autobloquants et des vis de fixation, qui peuvent perdre leur efficacité suite à l'utilisation et au fil du temps.



Après chaque opération d'entretien courant, un contrôle du parfait état de marche de toutes les commandes est obligatoire.

### **Notes pour l'entretien**

Toutes les interventions d'entretien doivent se produire avec la batterie débranchée.

Durant toutes les phases d'entretien, les opérateurs doivent porter les équipements de sécurité nécessaires. Les outils utilisés pour l'entretien doivent être adéquats et de bonne qualité.

N'utilisez pas d'essence ni de solvant inflammable comme détergents, mais utilisez toujours des produits non inflammables et non toxiques. Limitez au maximum l'utilisation d'air comprimé et protégez-vous avec des lunettes dotées de protecteurs latéraux.

N'utilisez jamais de flammes nues comme système d'éclairage pour effectuer des vérifications ou des entretiens.

Après chaque intervention d'entretien ou de réglage, assurez-vous qu'aucun outil ou corps étranger n'est resté entre les organes mobiles du vélo à pédalage assisté.

Ce manuel ne fournit aucune information approfondie sur le démontage et l'entretien extraordinaire, car ces opérations doivent toujours être effectuées exclusivement par le personnel du service d'assistance agréé du vendeur.

Le service d'assistance est en mesure de fournir toutes les informations et de répondre à toutes les demandes pour prendre en charge et maintenir votre vélo à pédalage assisté parfaitement performant.

 **ATTENTION**

## Nettoyage

Le nettoyage du vélo à pédalage assisté n'est pas seulement une question de décence mais permet également de détecter immédiatement tout défaut de celui-ci.

Pour laver le produit, après avoir nécessairement retiré la batterie, utiliser de préférence une éponge et / ou un chiffon doux et de l'eau, éventuellement additionnée d'un détergent neutre spécifique, en faisant particulièrement attention à la manipulation des parties électroniques.

Il est absolument interdit de diriger des jets d'eau sous pression vers les parties électriques, le moteur, l'écran et la batterie. Après le lavage, il est important de sécher tous les composants lavés, ainsi que le cadre et les surfaces de freinage, avec un deuxième chiffon doux et/ou de sécher complètement avec de l'air comprimé à basse pression et de vérifier qu'il ne reste pas d'humidité résiduelle sur les composants électriques.

S'il y a des taches sur le corps du produit, nettoyez-les avec un chiffon humide. Si les taches persistent, appliquez un savon neutre, brossez-les avec une brosse à dents, puis essuyez avec un chiffon humide.

Ne nettoyez pas le produit avec de l'alcool, de l'essence, de la paraffine ou d'autres solvants chimiques corrosifs et volatils afin d'éviter tout dommage grave.

 **DANGER**

**Toutes les opérations de nettoyage du vélo à pédalage assisté doit être effectué avec la batterie retirée.**

L'infiltration d'eau dans la batterie peut endommager les circuits internes, provoquer un incendie ou une explosion. En cas de doute sur la présence d'une infiltration d'eau dans la batterie, arrêtez immédiatement de l'utiliser et renvoyez-la au SAV ou à votre revendeur pour un contrôle.

## Conservation et Stockage

Si le vélo à pédalage assisté doit être stocké et conservé pendant de longues périodes d'inactivité, il conviendra de le stocker dans un endroit fermé, sec et possiblement aéré, en veillant à effectuer les opérations ci-après :

- Effectuez un nettoyage général du vélo à pédalage assisté.
- Retirez de son logement la batterie fournie avec le vélo à pédalage assisté et, après l'avoir désactivée à l'aide de la clé ou de l'interrupteur correspondant (le cas échéant), conservez-la dans un endroit sec, à l'écart des matériaux inflammables (par exemple, des matériaux susceptibles de s'enflammer), de préférence à une température interne comprise entre 15 et 25 °C, jamais inférieure à 0 °C ni supérieure à + 45 °C, et effectuer des cycles de recharge périodiques afin d'éviter que le niveau de tension de la batterie ne diminue excessivement, entraînant ainsi un risque de dommages et de perte d'efficacité.
- Protégez les contacts électriques exposés avec des produits antirouille.
- Graissez toutes les surfaces non protégées avec des vernis ou des traitements antirouille.

 **ATTENTION**

Ne pas stocker ou conserver le produit à l'extérieur ou à l'intérieur d'un véhicule pendant une période prolongée. Un ensoleillement excessif, une surchauffe et un froid extrême accélèrent le vieillissement des pneus et compromettent la durée de vie à la fois du produit et de la batterie. Ne l'exposez pas à la pluie ou à l'eau, ne l'immergez pas et ne le lavez pas à l'eau.

**Levage**

Le poids du vélo à pédalage assisté implique qu'il est nécessaire de la soulever par deux personnes adultes avec une extrême prudence pour éviter les risques de dommages corporels (écrasement et accidents) et matériels (chocs).

 **DANGER****Transport**

Pour assurer le transport en toute sécurité du vélo à pédalage assisté, que ce soit à l'intérieur de l'habitacle du véhicule utilisé pour le transport, ou à l'extérieur (par exemple, porte-vélos), en plus de retirer au préalable la batterie et les composants accessoires installés sur celle-ci, effectuez l'ancrage approprié à l'aide de matériaux de fixation adéquats (sangles ou câbles) et de dispositifs d'attache en bon état et installés de manière à ne pas endommager le cadre, les câbles et les autres parties du produit.

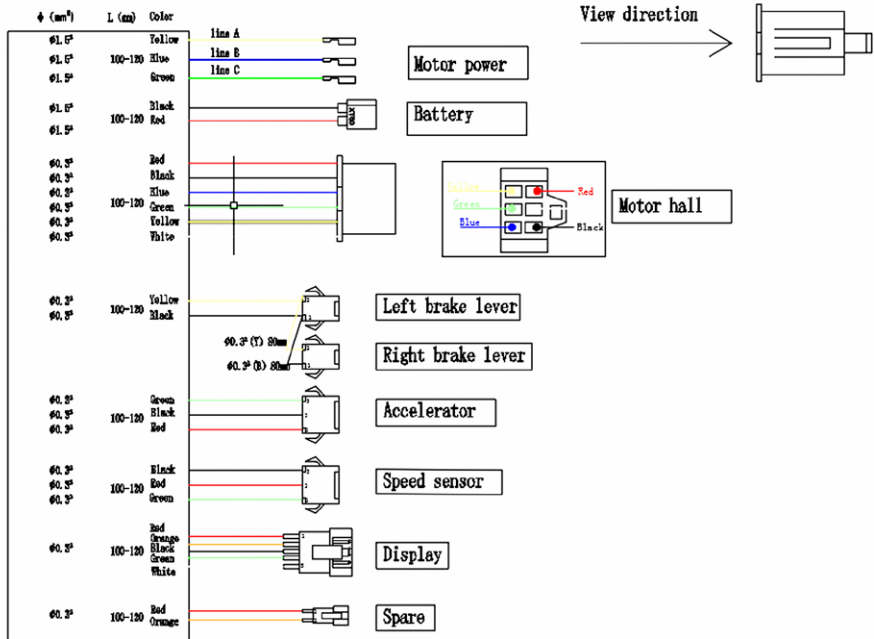
Il relève de la responsabilité de l'utilisateur de s'assurer de l'adéquation de l'équipement utilisé pour transporter le produit en équipant et en installant des dispositifs (par exemple, des porte-vélos) conformément aux réglementations approuvées et autorisées dans le pays d'utilisation.

 **ATTENTION**





Le fabricant ne répond pas des ruptures dus au levage et / ou au transport du vélo à pédalage assisté après la livraison.

# 11. Schéma des connexions

## 250W Controller



## 12. Dépannage

Indicateur d'affichage	Raisons	Solutions
Frein 	Indique que le frein est engagé	/
	Le levier de frein ne revient pas en position normale	Appuyez plusieurs fois sur le levier de frein pour le laisser revenir. Remplacer par un nouveau levier de frein
Défaut de l'accélérateur 	Le câble d'accélérateur, l'accélérateur ou le connecteur est cassé/endommagé	Remplacer par un nouveau câble, accélérateur
	Les connecteurs entre l'accélérateur et le contrôleur ne sont pas bien connectés	Reconnecter correctement
Défaut moteur 	Le moteur ne fonctionne pas	Remplacer par un nouveau moteur
	Les câbles ou le connecteur sont cassés/endommagés	Remplacer par un nouveau câble
	Le câble du compartiment moteur n'est pas bien connecté ou mal connecté	Reconnecter correctement
Défaut du contrôleur 	Le contrôleur est cassé	Remplacer par un nouveau contrôleur

## 13. Responsabilité et conditions générales de garantie

Le conducteur assume tous les risques liés à la non-utilisation d'un casque et d'autres équipements de protection. Le conducteur est tenu de respecter les réglementations locales en vigueur en ce qui concerne :

1. l'âge minimum autorisé pour le conducteur,
2. les restrictions sur les types de conducteurs qui peuvent utiliser le produit
3. tous les aspects réglementaires

Le conducteur est également tenu de maintenir le produit propre et en parfait état d'efficacité et d'entretien, d'effectuer avec diligence les contrôles de sécurité qui lui incombent tels que décrits dans les sections précédentes, de ne pas altérer le produit de quelque manière que ce soit et de conserver toute la documentation relative à l'entretien.

La société ne répond pas des dommages provoqués et n'est en aucun cas responsable des dommages causés aux biens ou aux personnes dans les cas où :

- le produit est utilisé de manière incorrecte ou non conforme aux instructions du manuel d'instructions ;
- le produit, suite à l'achat, est altéré ou modifié dans tout ou partie de ses composants.

En cas de dysfonctionnement du vélo dû à des causes non imputables à des comportements incorrects du conducteur ou si vous souhaitez consulter les conditions générales de garantie, veuillez contacter votre vendeur ou visiter le site

[www.platum.com/fr/ducati-urban-e-mobility/](http://www.platum.com/fr/ducati-urban-e-mobility/)

Sont toujours exclues du champ d'application de la Garantie Légale des Produits les défaillances ou dysfonctionnements causés par des événements accidentels et/ou imputables à la responsabilité de l'Acheteur ou par une utilisation du Produit non conforme à l'usage prévu et/ou à celui prévu dans la documentation technique jointe au Produit, ou dus à un défaut de réglage des parties mécaniques, à l'usure naturelle des matériaux d'usure ou causés par des erreurs de montage, un manque d'entretien et/ou une utilisation de celui-ci non conforme aux instructions.

Par exemple, les éléments suivants doivent être considérés comme exclus de la Garantie légale relative aux Produits :

- les dommages causés par des chocs, des chutes ou des collisions accidentelles, des crevaisons ;
- les dommages causés par l'utilisation, l'exposition ou le stockage dans un environnement inapproprié (par exemple : présence de pluie et/ou de boue, exposition à l'humidité ou à des sources de chaleur excessive, contact avec du sable ou d'autres substances) ;
- dommages causés par le manque de réglage pour l'utilisation sur route et/ou entretien des pièces mécaniques, des freins à disque mécaniques, du guidon, des pneus, etc. ; l'installation et/ou le montage incorrect des pièces et/ou des composants ;
- l'usure naturelle des matériaux consommables : frein à disque mécanique (par ex. plaquettes, étriers, disque, câbles), pneus, plateformes, joints, roulements, feux led et ampoules, béquille, boutons, garde-boue, pièces en caoutchouc (plateforme), câblage des connecteurs des câbles, caches et autocollants, etc. ; connecteurs des câbles, masques et autocollants, etc;

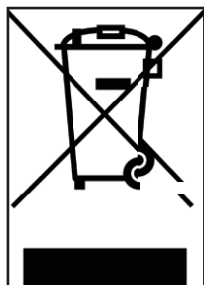
- l'entretien inapproprié et/ou l'utilisation incorrecte de la batterie du Produit ;
- l'altération et/ou le forçage de parties du Produit ;
- l'entretien ou la modification incorrect ou inadéquat du Produit ;
- la mauvaise utilisation du Produit (par exemple : surcharge, utilisation dans des compétitions et/ou pour des activités commerciales de location) ;
- les entretiens, les réparations et/ou les interventions techniques sur le Produit effectués par des tiers non autorisés ;
- les dommages aux Produits résultant du transport, s'il est effectué par l'Acheteur ;
- les dommages et/ou les défauts résultant de l'utilisation de pièces de rechange non originales.

Veillez vous référer à la version la plus récente des conditions de garantie disponible sur [www.platum.store/en/assistance](http://www.platum.store/en/assistance)

## 14. Informations sur l'élimination



**Traitement du dispositif électrique ou électronique en fin de vie (applicable dans tous les pays de l'union européenne et dans d'autres systèmes européens équipés de système de tri sélectif)**



Ce symbole sur le produit ou sur l'emballage indique que le produit ne doit pas être considéré comme un déchet ménager normal ; veuillez plutôt le remettre à un point de collecte approprié pour le recyclage des équipements électriques et électroniques (DEEE).

En vous assurant que ce produit est éliminé correctement, vous contribuerez à éviter les conséquences négatives potentielles pour l'environnement et la santé qui pourraient autrement être causées par une élimination inappropriée.

Le recyclage des matériaux permet de préserver les ressources naturelles.

Pour des informations plus détaillées sur le recyclage et l'élimination de ce produit, vous pouvez contacter le service local d'élimination des déchets ou bien le point de vente où vous l'avez acheté.

Dans tous les cas, il faut effectuer l'élimination conformément à la normative en vigueur dans le pays d'achat.

En particulier, les consommateurs sont tenus de ne pas éliminer les DEEE en tant que déchets municipaux, mais doivent participer à la collecte séparée de ce type de déchets à travers deux modes de remise :

- Aux Centres de Collecte municipaux (également appelés Eco-emplacements, îlots écologiques), directement ou via les services de collecte des entreprises municipales, là où ils sont disponibles ;
- Après des points de vente de nouveaux appareils électriques et électroniques.

Ici, les DEEE de très petites dimensions (dont le côté le plus long est inférieur à 25 cm) peuvent être livrés gratuitement, tandis que les plus gros peuvent être livrés en mode 1 contre 1, c'est-à-dire en livrant l'ancien produit lorsque vous en achetez un neuf ayant les mêmes fonctions.

Par ailleurs, le mode 1 contre 1 est toujours garanti lors de l'achat par le consommateur d'un nouvel EEE, quelle que soit la taille du DEEE.

En cas de mise au rebut non conforme des équipements électriques ou électroniques, les sanctions spécifiques prévues par la législation en vigueur en matière de protection de l'environnement peuvent s'appliquer.

Si les DEEE contiennent des piles ou des accumulateurs, ceux-ci doivent être retirés et soumis à un tri sélectif spécifique.

**! ATTENTION**

**Traitement des batteries usagées (applicable dans tous les pays de l'Union européenne et dans d'autres systèmes européens de tri sélectif)**



Ce symbole sur le produit ou sur l'emballage indique que la batterie ne doit pas être considérée comme un déchet ménager normal. Sur certains types de batteries, ce symbole peut être utilisé en combinaison avec un symbole chimique.

Les symboles chimiques du mercure (Hg) ou du plomb (Pb) sont ajoutés si la batterie contient plus de 0,0005 % de mercure ou de 0,004 % de plomb.

En vous assurant que les batteries sont éliminées correctement, vous contribuerez à éviter les conséquences négatives potentielles pour l'environnement et la santé qui pourraient autrement être causées par leur mise au rebut inappropriée. Le recyclage des matériaux permet de conserver les ressources naturelles. Dans le cas de produits qui, pour des raisons de sécurité, de performance ou de protection des données, nécessitent une connexion fixe à une pile/batterie interne, celle-ci ne doit être remplacée que par du personnel de maintenance qualifié.

Livrez le produit en fin de vie à des points de collecte adaptés à l'élimination des équipements électriques et électroniques : cela garantit que la batterie à l'intérieur est également traitée correctement.

Pour plus d'informations sur la mise au rebut de la pile-batterie usée ou du produit, vous pouvez contacter le service local pour l'élimination des déchets ou le point de vente où vous l'avez acheté.

Dans tous les cas, il faut effectuer l'élimination conformément à la normative en vigueur dans le pays d'achat.

**MG-20**

foldable e-bike

## Benutzerhandbuch

Übersetzung der Originalanweisungen

Vor der Benutzung des E-Bikes muss dieses richtig und korrekt  
usammengebaut und in allen Teilen überprüft werden.

Eventuelle Montageschäden oder unsachgemäße Wartung werden  
nicht von der Garantie abgedeckt.

Für weitere Informationen, technische Unterstützung und Unterstützung

wenden Sie sich an Ihren Händler oder besuchen Sie die Website

[www.platum.com/en/ducati-urban-e-mobility/](http://www.platum.com/en/ducati-urban-e-mobility/)

1. Einführung
2. Warnhinweise zur Verwendung und Sicherheit
3. Packliste
4. Produktübersicht
5. Technische Spezifikationen
6. Montage
7. Akku
8. Display
9. Inbetriebnahme
10. Lagerung, Wartung und Reinigung
11. Anschlussplan
12. Fehlerbehebung
13. Haftung und allgemeine Garantiebedingungen
14. Informationen zur Entsorgung

# 1. Einführung

## Allgemeines

Dieses Handbuch gehört zum Pedelec (EPAC).

Bevor man das Pedelec in Betrieb nimmt, muss das Handbuch gelesen werden und verstanden worden sein. Die Benutzer müssen unbedingt die folgenden Vorschriften strikt befolgen.

Das Unternehmen haftet nicht für Schäden, die in den folgenden Fällen an Sachen oder Personen verursacht werden, und ist in keiner Weise verantwortlich, wenn:

- das Produkt unsachgemäß oder nicht in Übereinstimmung mit der Gebrauchsanweisung verwendet wird;
- das Produkt nach dem Kauf ganz oder teilweise verändert oder manipuliert wird.

Im Hinblick auf die kontinuierliche technologische Entwicklung behält sich der Hersteller das Recht vor, das Produkt ohne Vorankündigung zu ändern, ohne dass dieses Handbuch automatisch aktualisiert werden muss. Für Informationen und um die Überarbeitungen dieses Handbuchs einzusehen, besuchen Sie bitte die Website

[www.platum.com/en/ducati-urban-e-mobility/](http://www.platum.com/en/ducati-urban-e-mobility/)

## Kundendienst

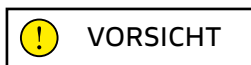
Zögern Sie nicht bei Problemen oder Fragen den Kundendienst Ihres autorisierten Händlers zu kontaktieren. Der Kundendienst hat erfahrenes Fachpersonal, spezifische Ausrüstungen und Originalersatzteile.

## Rechtlicher Hinweis zur Verwendung

Prüfen Sie und halten Sie sich an die Straßenverkehrsordnung und die lokalen Verkehrsvorschriften für Radfahrer hinsichtlich der Beschränkungen für die Personentypologien, die das Produkt verwenden dürfen, und der Verwendung dieses Produkt- typs.

## Grafische Darstellung von Sicherheitswarnungen

Die Sicherheitshinweise werden in diesem Handbuch mit den folgenden grafischen Symbolen gekennzeichnet, um die Aufmerksamkeit des Lesers / Benutzers auf die korrekte und sichere Verwendung des Pedelecs zu lenken.



## Aufmerksam sein

Weist auf Regeln, die einzuhalten sind, um das Pedelec nicht zu beschädigen und/oder um gefährliche Situationen zu vermeiden.



## Restrisiken

Weist auf das Vorhandensein von Gefahren hin, die Restrisiken verursachen, auf die der Benutzer achten muss, um Verletzungen oder Sachschäden zu vermeiden.

## 2. Warnhinweise zur Verwendung und Sicherheit

### Allgemeine Sicherheitsregeln

Auch wenn man schon Erfahrung mit Pedelecs hat, müssen die hier beschriebenen Anleitungen und allgemeinen Vorsichtsmaßnahmen, die während des Fahrens mit einem motorisierten Fahrzeug beachtet werden müssen, befolgt werden.

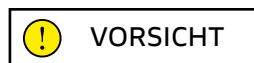
Es ist sehr wichtig, sich die notwendige Zeit zu nehmen, um die Grundlagen zu lernen, wie dieses Produkt zu fahren und handzuhaben ist, um schwere Unfälle zu vermeiden, die in den ersten Tagen passieren können. Wenden Sie sich an Ihren Händler, um Unterstützung bei der korrekten Verwendung des Produkts zu erhalten oder um zu erfahren, wo Sie Pedelec- Kurse nehmen können.

Das Unternehmen lehnt jede direkte oder indirekte Haftung ab, die sich aus der missbräuchlichen Verwendung des Produkts, der Nichteinhaltung der Verkehrsvorschriften und der Anweisungen in diesem Handbuch, Unfällen und Streitigkeiten aufgrund von Nichtbeachtung und illegalen Handlungen ergibt.

Dieses Produkt ist ein Freizeitgerät und muss als solches verwendet werden, es darf niemals von mehr als einer Person und niemals zum Transportieren von Mitfahrern verwendet werden.

Verwenden Sie dieses Fahrzeugs niemals für andere Zwecke. Dieses Produkt ist nicht für Stunts, Wettbewerbe, den Transport von Gegenständen, das Abschleppen anderer Fahrzeuge oder Anhänger geeignet.

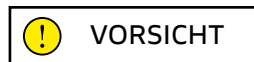
Der A-bewertete Emissionsschalldruckpegel am Ohr des Fahrers beträgt weniger als 70 dB(A).



### Verwendung des Pedelecs

Jeder Benutzer muss vor der Verwendung die Anleitungen und Informationen dieses Handbuch gelesen und verstanden haben.

Sollten Sie beim Zusammenbau Werksfehler, unklare Arbeitsschritte oder Schwierigkeiten bei der Montage selbst oder bei den Einstellungen feststellen, fahren Sie das Fahrzeug nicht und wenden Sie sich an Ihren Händler oder besuchen Sie die Website [www.platum.com/en/ducati-urban-e-mobility/](http://www.platum.com/en/ducati-urban-e-mobility/) um technische Unterstützung zu erhalten.



### Mit der Verwendung des Pedelecs verbundene Risiken

Auch wenn das Pedelec mit Schutzeinrichtungen ausgerüstet ist, muss man für einen sicheren Gebrauch des Pedelecs alle Regeln zur Verhütung von Unfällen in diesem Handbuch im Kopf haben.

Bleiben Sie beim Fahren stets konzentriert und unterschätzen Sie nicht die Restrisiken, die mit der Nutzung eines Pedelecs verbunden sind.



## VORSICHT

### Verantwortung

Der Fahrer hat die Pflicht, das Pedelec mit der größten Umsicht und unter Einhaltung der Straßenverkehrsordnung und aller im Land, in dem er fährt, geltenden Bestimmungen für Radfahrer zu verwenden.

Denken Sie daran, dass man auf öffentlichen Plätzen oder im Straßenverkehr auch dann, wenn man dieses Handbuch buchstabengetreu befolgt, nicht vor Verletzungen geschützt ist, wenn man gegen die Verkehrsregeln verstößt und sich unangemessen gegenüber den Fahrzeugen, Hindernissen und Personen im Straßenverkehr verhält. Ein unsachgemäßer Gebrauch des Produkts oder die Nichtbeachtung der Anweisungen in diesem Handbuch kann zu ernsthaften Schäden führen.

Der Fahrer hat außerdem die Pflicht, das Pedelec sauber und im perfekten Zustand zu halten, die von im vorzunehmenden Sicherheitskontrollen sorgfältig durchzuführen und alle Unterlagen zur Wartung des Produkts aufzubewahren.

Der Fahrer muss aufmerksam abschätzen, ob eine bestimmte Wetterlage die Verwendung des Pedelecs gefährlich macht. Dieses Produkt ist ein Fahrzeug, je schneller man fährt, umso länger ist der Bremsweg. Deshalb empfehlen wir Ihnen,

Ihre Geschwindigkeit zu verringern und einen angemessenen Bremsweg einzuhalten, wenn Sie bei schlechten Wetterbedingungen und/oder bei starkem Verkehr unterwegs sind.

Auf nassen, glatten, schlammigen, vereisten oder verschneiten Straßen verlängert sich der Bremsweg und die Reifenhaftung verringert sich beträchtlich im Vergleich zur Haftung auf trockenen Straßen. Die Räder können ins Rutschen geraten und Sie können das Gleichgewicht verlieren.

Deswegen fahren Sie das Fahrzeug unter diesen Bedingungen vorsichtiger und halten Sie eine passende Geschwindigkeit und einen größeren Sicherheitsabstand zu anderen Fahrzeugen und Fußgängern ein.

Seien Sie besonders vorsichtig, wenn Sie auf unbekanntem Straßen fahren.

Für die eigene Sicherheit sollte man persönliche Schutzausrüstungen (Helm, Knie- und Ellbogenschützer) tragen, um sich vor Verletzungen bei Stürzen während der Fahrt zu schützen. Wenn Sie das Produkt verleihen, lassen Sie den Fahrer die Sicherheitsausrüstung tragen und erklären Sie ihm, wie er das Fahrzeug verwenden muss. Um Verletzungen zu vermeiden, leihen Sie das Produkt nicht an Personen aus, die nicht wissen, wie man es benutzt.

Tragen Sie immer Schuhe, bevor Sie das Produkt verwenden.

Das Produkt ist für eine Last ausgelegt, die nicht die im technischen Datenblatt des Produkts angegebene maximal zulässige Gesamtmasse (Fahrer plus eventuelle transportierte Lasten) übersteigen darf.

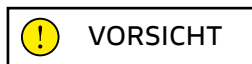
Verwenden Sie das Produkt niemals, wenn die zu transportierende Last das zulässige Gesamtgewicht übersteigt, um nicht das Risiko einzugehen, dass die Rahmenbauteile und elektronischen Bauteile Schaden nehmen.

Das Pedelec (EPAC) ist in Übereinstimmung mit der geltenden Bezugsvorschrift EN 15194 ein Beförderungsmittel für die Beförderung einer einzigen Person.

Die Beförderung von Mitfahrern ist ausschließlich im Rahmen der geltenden nationalen Verkehrsvorschriften zum Mindestalter des Fahrers, maximal zulässigen Alter des Mitfahrers und zur gesetzlich homologierten und zugelassenen Vorrichtungen für die Mitfahrerbeförderung zulässig.

Der Benutzer ist dafür verantwortlich, sich von der strukturellen und sicherheitstechnischen Eignung der Vorrichtungen am Produkt für die Beförderung des Mitfahrers zu überzeugen. Die Ausrüstung muss sicher und korrekt am Rahmen des Pedelecs montiert werden und darf die vorgeschriebene Lastgrenze (maximale Tragfähigkeit des Produkts und des Gepäckträgers, wenn vorhanden) nicht überschreiten.

Der Benutzer ist außerdem für die Ausrüstung und Installation der Trägervorrichtungen für Gegenstände und Tiere verantwortlich (z. B. Gepäckträger, Gepäcktaschen, Fahrradkörbe usw.), die gemäß den Bestimmungen des Landes, in dem das Pedelec verwendet wird, homologiert und zugelassen und gemäß den Vorgaben durch die Struktur des Produkts und innerhalb der vorgesehenen Lastgrenzen (maximal des Produkts und des mitgelieferten Gepäckträgers, wenn vorhanden, für das getragene Gewicht, montiert werden müssen.



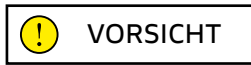
Die Montage von Zubehör und Zusatzausrüstungen wirkt sich nicht nur auf die Leistungen und die Verwendungsart des Pedelec aus, sondern kann, wenn das Zubehör oder die Ausrüstung ungeeignet oder falsch montiert ist, den korrekten Betrieb und die Sicherheit gefährden.

Für Informationen zur Ausrüstung und Installation von für das Produkt passenden und geeigneten Trägervorrichtungen wenden Sie sich bitte an Ihren autorisierten Händler oder Fachleute.

### **Warnhinweise für die Benutzer**

- Das Pedelec darf nur von erfahrenen Erwachsenen und Jugendlichen verwendet werden.
- Trinken sie keinen Alkohol und nehmen Sie keine Drogen, bevor Sie das Pedelec lenken.
- Dieses Pedelec-Modell ist für die Verwendung im Freien, auf öffentlichen Straßen oder Fahrradwegen ausgelegt und gebaut.
- Fordern Sie von Ihrem Pedelec nicht mehr als das, wofür es entwickelt wurde.
- Fahren Sie das Pedelec niemals mit abgebauten Teilen.
- Halten Sie beim Fahren beide Hände am Lenker.
- Tauschen Sie verschlissene und/oder beschädigte Teile aus und kontrollieren Sie, dass alle Schutzvorrichtungen korrekt funktionieren, bevor Sie losfahren.
- Halten Sie Kinder von Kunststoffteilen (einschließlich Verpackungsmaterial) und Kleinteilen fern, an denen sie ersticken könnten.
- Beaufsichtigen Sie Kinder, um sicherzustellen, dass sie nicht mit dem Produkt spielen.
- Entfernen Sie alle scharfen Kanten, die durch unsachgemäßen Gebrauch, Bruch oder Beschädigung des Produkts entstanden sind.

- Verwenden Sie das Produkt in der Nähe von Fußgängern mit höchster Umsicht: Bremsen Sie ab und signalisieren Sie Ihre Gegenwart, damit die Personen sich nicht erschrecken, wenn Sie sie von hinten überholen.
- Bauen Sie das Produkt richtig zusammen.



## Verwendungsmodalität

Das Pedelec ist ein Fahrrad mit einem elektrischen Hilfsmotor, der sich ausschließlich zur Tretunterstützung einschaltet, wenn man in die Pedale tritt.

Der Motor ersetzt also nicht die Muskelarbeit der Beine, sondern unterstützt sie, indem er sich in den von der Funktionsweise der elektrischen und elektronischen Bauteile, mit denen das Produkt ausgerüstet ist, vorgesehenen Modalitäten einschaltet. Zu den Ausrüstungen gehören der Akku, die Bedienelemente am Lenker, Sensoren und die Steuerelektronik (Steuergerät).

Der Elektromotor wird von einem Akku gespeist und einem Steuergerät gesteuert, das die Leistungsausgabe und die zusätzliche Schubkraft zur Muskelkraft durch das Treten des Fahrers steuert. Das Steuergerät stützt sich dabei auf die in Echtzeit von einer Reihe an Sensoren, die außen am Rahmen und in den Bauteilen selbst angebracht sind, gemessenen Werte und die vom Benutzer über die Bedienelemente am Lenker (Display) eingegebenen Parameter.

Der Elektromotor, mit dem das Pedelec ausgerüstet ist, schaltet sich gemäß den Anforderungen der europäischen Richtlinie 2002/24/EG zur Unterstützung der Muskelkraft beim Treten ein und schaltet sich ab, sobald eine Geschwindigkeit von 25 km/h erreicht worden ist.

Das Pedelec wurde für das Fahren im Freien, auf öffentlichen Verkehrswegen und Fahrradwegen, auf Asphalt und/oder für die technischen und strukturellen Eigenschaften des Produkts geeigneten Böden ausgelegt.

Jede Änderungen an seiner Konstruktion kann das Verhalten, die Sicherheit und die Stabilität des Pedelecs beeinträchtigen und zu Unfällen führen.

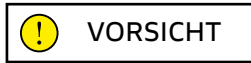
Andere Verwendungsarten oder die Erweiterung seiner bestimmungsgemäßen Verwendung entsprechen nicht dem vom Hersteller vorgesehenen Bestimmungszweck, weswegen der Hersteller nicht für daraus entstehende Schäden haftbar gemacht werden kann.

Die Autonomie des mit dem Pedelec gelieferten Akkus und damit die geschätzte Kilometerleistung kann je nach Nutzungsart (befördertes Gesamtgewicht, Muskelkraft des Fahrers, gewählte elektrische Tretunterstützung, Häufigkeit der Starts/ Neustarts), mechanischem und elektrischem Zustand des Produkts (Reifendruck und -verschleiß, Wirkungsgrad des Akkus) und äußeren Einflüssen (Steigungen und Straßenbelag, Witterungsbedingungen) stark variieren.

Kontrollieren Sie vor jedem Gebrauch sorgfältig, dass die Bremsen funktionieren und nicht abgenutzt sind, prüfen Sie den Reifendruck, die Abnutzung der Reifenprofile und den Ladestand des Akkus.

Kontrollieren Sie regelmäßig, dass alle angeschraubten Teile fest sitzen. Die Schraubenmutter und andere selbstsichernde Befestigungen können sich lockern, deswegen müssen sie regelmäßig kontrolliert und nachgezogen werden.

Wie alle mechanischen Komponenten unterliegt auch dieses Produkt einem gewissen Verschleiß. Verschiedene Materialien und Bauteile können auf Verschleiß oder Ermüdung unterschiedlich reagieren. Wenn die Nutzdauer eines Bauteils überschritten wird, kann es plötzlich brechen oder reißen und den Benutzer verletzen. Risse, Kratzer oder Farbveränderungen in stark beanspruchten Bereichen deuten darauf hin, dass die Lebensdauer des Bauteils erreicht ist und es ersetzt werden muss.



### Zulässige Geschwindigkeit

Die vom Gesetz zugelassene Höchstgeschwindigkeit ist 25 km/h.

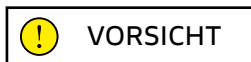
Das Steuergerät ist so konfiguriert, dass die Höchstgeschwindigkeit nicht geändert werden kann.

Eventuelle, vom Hersteller nicht genehmigte Eingriffe am Steuergerät führen nicht nur zum Verfall der Garantie, sondern befreien den Hersteller auch von jeder Haftung für Personen- und Sachschäden durch oder mit dem Produkt.



### Unfallgefahr

Halten Sie eine Ihren Fähigkeiten entsprechende Geschwindigkeit und Fahrweise ein, fahren Sie mit dem Pedelec niemals schneller als 25 km/h, um schwere Schäden und Unfälle, bei denen Sie selbst oder andere Personen verletzt werden können, zu vermeiden.



### Verwendungsbereich

- Das Pedelec darf im Freien, bei nicht widrigen Witterungsbedingungen (Regen, Hagel, Schnee, starker Wind usw.) verwendet werden.
- Zulässige Höchsttemperatur: +40°C
- Zulässige Mindesttemperatur: +0°C
- Maximal zulässige Feuchtigkeit: 80%

Die Fahrfläche muss eine ebene, kompakte und glatte Asphaltdecke ohne Unebenheiten, Schlaglöchern oder Vertiefungen, Hindernisse und Ölflecken aufweisen.

Außerdem muss die Umgebung, in der das Pedelec verwendet wird, von der Sonne oder Lanternen oder Scheinwerfern so beleuchtet sein, dass die Fahrstrecke und die Bedienelemente des Pedelecs gut zu sehen sind (empfohlen sind 300 bis 500 lux).

## Unsachgemäße Verwendung und Kontraindikationen

Die hier im Folgenden beschriebenen Aktionen, die selbstverständlich nicht den ganzen Bereich an potentiellen Möglichkeiten des „schlechten Gebrauchs“ des Pedelecs abdecken kann, sind absolut verboten.



### Es ist strengsten verboten:

- Das Pedelec für andere Zwecke als die, für die es gebaut worden ist, zu verwenden.
- Das Pedelec zu verwenden, wenn man mehr wiegt als das zulässige Gewicht, das das Pedelec aushalten kann.
- Das Pedelec unter Einfluss von Alkohol oder Drogen zu verwenden.
- Das Pedelec in Gebieten zu verwenden, in denen Brand- oder Explosionsgefahr besteht oder in Bereichen mit korrosions- fördernder und/oder chemisch aktiver Atmosphäre.
- Das Pedelec bei widriger Witterung (Platzregen, Hagel, Schnee, starker Wind usw.) zu verwenden.
- Das Pedelec in schlecht beleuchteter Umgebung zu verwenden.
- Über unterbrochene, holprige Böden (unregelmäßige Straßenbeläge, mit Löchern, Buckeln, Hindernissen usw.) zu fahren oder auf ihnen zu halten, um Stürze und Schäden am Fahrer und am Produkt zu vermeiden.
- Den Akku in zu heißer oder nicht ausreichend belüfteter Umgebung zu laden.
- Den Akku beim Laden abzudecken.
- In der Nähe des Ladebereichs zu rauchen oder offene Flammen zu verwenden.
- Wartungsarbeiten oder Reparaturen mit angeschlossenem Akku vorzunehmen.
- Arme oder Finger zwischen die beweglichen Teile des Pedelecs zu schieben.
- Die Bremsen unmittelbar nach dem Gebrauch zu berühren, da sie beim Gebrauch heiß werden.
- Die elektrischen oder elektronischen Bauteile des Pedelecs der Gefahr aussetzen, mit Wasser oder anderen Flüssigkeiten in Kontakt zu kommen.
- Das Produkt oder seine mechanischen und elektronischen Teile in irgendeine Weise zu verändern, da dadurch strukturelle Schäden entstehen können, welche die Leistung vermindern und Folgeschäden haben können.
- Wenn Sie einen Fabrikationsmangel, ungewöhnliche Geräusche oder irgendeine Störung feststellen, benutzen Sie das Fahrzeug nicht mehr und kontaktieren Sie Ihren Händler oder gehen Sie auf die Website [www.platum.com/en/ducati-urban-e-mobility/](http://www.platum.com/en/ducati-urban-e-mobility/)

### Schutzeinrichtungen

Es ist strengsten verboten, die Schutzabdeckungen des Akkus, der Fahrradkette und der anderen installierten Bauteile, wie auch die Warnplaketten und das Typenschild zu entfernen.

### 3. Packliste

- DUCATI MG-20 E-BIKE vormontiert
- Sattel + Sattelstütze + Hinteren Rückstrahler (fig.A)
- Kotflügel vorne (fig.B)
- Kotflügel hinten (fig.C)
- LED-wiederaufladbaren Rücklicht (fig.D)
- USB-Ladekabel für LED-wiederaufladbaren Rücklicht
- Ladegerät (fig.E)
- Inbusschlüssel 4mm
- Batterieschlossschlüssel (2 Schlüssel)



Abb.A



Abb.B



Abb.C



Abb.D



Abb.E

## 4. Produktübersicht



- |   |   |
|---|---|
| 1. Sattel   | 19. Kotflügel vorne                               |
| 2. Sattelstütze   | 20. Vorderreifen                                  |
| 3. Sattelstützenschelle                                 | 21. Vorderrad                                     |
| 4. Lithium-Ionen Akku                                   | 22. Vorderrad-bremse (gegenüberliegende Seite)    |
| 5. Kotflügel hinten                                     | 23. Brems Scheibe vorne (gegenüberliegende Seite) |
| 6. Hinterradreifen                                      | 24. Gabel   |
| 7. Hinterrad  | 25. LED-Vorderlicht                               |
| 8. Hinterradbremse (gegenüberliegende Seite)            | 26. Lenkervorbau Klappvorrichtung                 |
| 9. Brems Scheibe hinten (gegenüberliegende Seite)       | 27. Steuerrohr                                    |
| 10. Motor   | 28. Lenkervorbau                                  |
| 11. Kassette  | 29. Lenker  |
| 12. Schaltwerk  | 30. Hinterradbremshebel (rechte Seite)            |
| 13. Ständer (gegenüberliegende Seite)                   | 31. Schalthebel                                   |
| 14. Kette   | 32. LCD-Display                                   |
| 15. Zahnkranz   | 33. Klingel                                       |
| 16. Tretkurbel  | 34. Vorderradbremshebel (linke Seite)             |
| 17. Pedal   | 35. Fahrradrahmen Klappvorrichtung                |
| 18. PAS - Trittfrequenzsensor (gegenüberliegende Seite) | 36. Hintere Rückstrahler                          |
|   | 37. LED-wiederaufladbaren Rücklicht               |
|   | 38. Seriennummer Rahmen                           |

## 5. Technische Spezifikationen

### Allgemeine Informationen

Reifen	20" - Felgen 10-Speichen, Magnesium Pressure Casting
Gabel	hard fork, Magnesium Pressure Casting
Bremssystem	mechanisch mit Scheibe, vorne und hinten - Bremshebel mit Cut-Off-Sensor
Schalthebel	Mechanische Schaltungmechanical 6 Geschwindigkeiten (1x6) - Schaltwerk 6-fach
Antriebsstrang	Kettenschaltung - Zahnkranz 44T - Kasette 6 sprockets (14-16-18-21-24-28T)
Rahmen	klappbar, Magnesium Pressure Casting
Max. Geschwindigkeit	25 km/h
Tragfähigkeit	100 kg

### Elektrisches System

Lichter	LED vorderer
Display	LCD mit Unterstützungstufen, On/Off-Lichter, Kilometerzähler mit zugehörigen Funktionen
Motor	36V, 250W, IP54, Rückseite
Akku	Li-Ion 36V, 10.5Ah, 378Wh im Rahmen integriert und abnehmbar
Ladegerät	Input: AC 100V-240V 2.5A (Max) - Output: DC 42V 2.0A (Max)
Ladezeit	4/5 Stunden

### Abmessungen und Gewichte ( $\pm 5\%$ )

Gewicht Akku	2.0 kg
Gewicht m/o Akku	18.5 kg
Gesamtgewicht	20.5 kg
E-bike Abmessungen	1520 x 580 x 1070 mm
Packmaße	830 x 420 x 665 mm

## 6. Montage

Nehmen Sie das Produkt vorsichtig aus seiner Verpackung\* und entfernen Sie das Schutzmaterial. Achten Sie dabei darauf, die ästhetischen Teile und die Kabel und vormontierten Bauteile nicht zu beschädigen.

\* Das Produkt muss von zwei Erwachsenen ausgepackt werden, um die Unversehrtheit des Produkts zu garantieren und um Unfälle und/oder Quetschungen zu vermeiden.

Nachdem Sie den vorderen Teil des Rahmens an das hintere Teil ausgerichtet haben, indem Sie sie um den Zapfen des Scharniers gedreht haben, verriegeln Sie den Hebel am Öffnungs-/Schließmechanismus des Rahmens auf folgende Weise:

Drehen Sie den Hebel des Mechanismus zum Öffnen/Schließen des Rahmens (A) in Richtung des vorderen Teils des Rahmens. Achten Sie darauf, dass die Verriegelungsvorrichtung (B) des Hebels in ihren Sitz (C) eingeführt wird, und drücken Sie den Hebel, um sicherzustellen, dass mit den entsprechenden Sperrmechanismus er festgezogen wird.



Durch Drücken des Entriegelungsknopfes des Öffnungs-/Schließmechanismus (D), Ziehen und Drehen in Richtung des hinteren Teils des Rahmens ist es möglich, den Rahmen zusammenzuklappen.

## Positionierung des Steuerrohrs

Heben Sie die Lenkersäule in die vertikale Position an, während Sie den Verriegelungs-/Entriegelungshebel (E) in der abgesenkten Position halten, und ziehen Sie ihn dann fest, indem Sie auf den Verriegelungs-/Entriegelungshebel einwirken und ihn in Richtung der Lenkersäule drehen.



Durch Drücken des Sicherheitsknopfes am Verriegelungs-/Entriegelungshebel der Lenksäule (F) ist es möglich, den Hebel durch Drehen nach unten zu entriegeln und zusammenzuklappen.

## Lenkermontage

Positionieren Sie den Lenkervorbau nach vorne und richten Sie ihn am Rahmen und Vorderrad aus, indem Sie die entsprechenden Befestigungsschrauben am Lenkervorbau drehen (Abb. A).



Abb.A

Lösen Sie mithilfe des Schlüssels mit 4-mm-Innensechskanteinsatz schrittweise und abwechselnd die vier Befestigungsschrauben der Frontplatte am Ende des Lenkervorbaus (Abb. B), indem Sie sie gegen den Uhrzeigersinn drehen, bis sie entfernt werden können (Abb. C).

Platzieren Sie den Lenker mittig in der speziellen Aufnahme am Lenkervorbaukörper (Abb. D) und positionieren Sie die zuvor entfernte Lenkervorbau-Vorderplatte in ihrem ursprünglichen Sitz, indem Sie sie einsetzen und leicht anziehen (im Uhrzeigersinn drehen) und abwechselnd die Befestigungsschrauben anziehen, um den gewünschten Lenker einzustellen Positionierung.

Schließen Sie die Montage des Lenkers ab, indem Sie die Schrauben in der angegebenen Reihenfolge festziehen, bis sie vollständig festgezogen sind (Abb. E).



Abb.B



Abb.C



Abb.D



Abb.E

## Installation und Positionierung der Sattelstütze

Schieben Sie die Sattelstütze in das Sitzrohr des Rahmens und, nachdem Sie den Sattel passend eingestellt haben, verriegeln Sie die Sattelstütze mit der Spannvorrichtung (Sattelstützenschelle) am Rahmen.

Den Mechanismus des Schnellverschlusses (Sattelstützenschelle mit Schnellspanner) lockern, welcher die Befestigung der Sattelstütze am Sitzrohr des Rahmens gewährleistet, wodurch sich diese herausnehmen und/oder einsetzen lässt, bis die gewünschte Sattelhöhe erreicht ist; dabei darauf achten, dass sie mit der Mittellinie des waagrechten Rahmenrohrs des Fahrrads ausgerichtet ist.

Die Sattelstützenschelle festziehen, bis die Befestigung die Sattelstütze am Sitzrohr des Rahmens gewährleistet ist.



### Minimale Einsteckgrenze für die Sattelstütze

Es ist strengstens verboten, die Sattelstütze über die darauf angegebene Mindesteinstecktiefe hinaus aus dem Sitzrohr des Rahmens herauszuziehen, um das Risiko einer strukturellen Beschädigung des Fahrrads (Rahmen und/oder Sattelstütze) und schwerer Verletzungen zu vermeiden.

Die korrekte und sichere Positionierung der Sattelstütze im Sitzrohr des Rahmens wird durch einen Einführvorgang bestätigt, bei dem die entsprechende Markierung und/oder die grafische Angabe der Mindesteinführungsgrenze nicht sichtbar sind.

### Einbau des Rücklichts

La luce a LED posteriore in dotazione al prodotto, con batteria integrata ricaricabile Das mitgelieferte LED-Rücklicht mit integriertem Akku und USB-Ladekabel kann an der Sattelstütze montiert und über die entsprechende Taste am Licht selbst manuell aktiviert und/oder deaktiviert werden.

### Kotflügelmontage (optional)



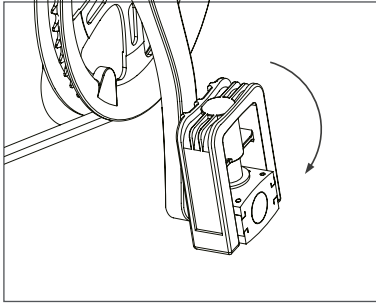
Vorderer Kotflügel



Hinterer Kotflügel

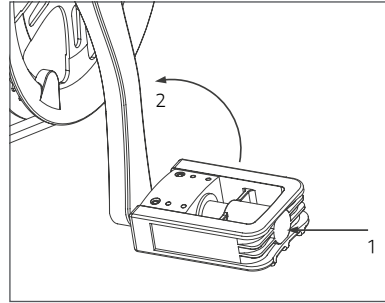
## Pedale

Öffnen des Pedals



Fassen Sie den Pedalkörper und drehen Sie ihn nach außen.

Schließen des Pedals



Drücken Sie das Pedal in Richtung Kurbel und drehen Sie es nach innen.

## Pedalentfernung

Entfernen Sie das Pedal auf der rechten Seite des Fahrrads mit einem 15-mm-Schraubenschlüssel, indem Sie ihn gegen den Uhrzeigersinn drehen (in Richtung des Hinterrads drehen).

Entfernen Sie das Pedal auf der linken Seite des Fahrrads mit einem 15-mm-Schraubenschlüssel, indem Sie ihn im Uhrzeigersinn drehen (in Richtung des Hinterrads drehen).

## Installation der Pedale

Nehmen Sie das rechte Pedal (gekennzeichnet mit dem Buchstaben R) und das linke Pedal (gekennzeichnet mit dem Buchstaben L).

Montieren Sie das rechte Pedal (R), indem Sie den Gewindestift des Pedals mit einem 15er Gabelschlüssel in die Tretkurbel auf der rechten Seite des Fahrrads im Uhrzeigersinn einschrauben (zum Vorderrad hin drehen), bis er fest sitzt.

Montieren Sie das linke Pedal (L), indem Sie den Gewindestift des Pedals mit einem 15er Gabelschlüssel in die Tretkurbel auf der linken Seite des Fahrrads gegen den Uhrzeigersinn einschrauben (zum Vorderrad hin drehen), bis er fest sitzt.



**VORSICHT**

## Akkuschlüsselsatz

Das Produkt sieht die ausschließliche Lieferung von 2 Schlüsseln vor, die eindeutig mit der Schlüsselverriegelung am Akku verbunden sind, um das relative Verriegeln und/oder Entriegeln des Rahmens zu ermöglichen.

Die Schlüssel an einem sicheren Ort aufbewahren und ihn nicht verlieren, da ansonsten der Akku nicht mehr vom Rahmen abgenommen werden kann.

Um Diebstahl oder unbeabsichtigte Beschädigung durch Stöße zu vermeiden, den Schlüssel nicht im Rahmenschloss eingesteckt lassen.



## VORSICHT

Regelmäßig die einwandfreie Befestigung der verschiedenen Bauteile, der Befestigungsschrauben, der Schnellverschlüsse (Schnellspanner) und Steckachsen sowie den allgemeinen Zustand überprüfen.

Die Schraubenmuttern und andere selbstsichernde Befestigungen können sich lockern, deswegen müssen sie regelmäßig kontrolliert und nachgezogen werden.

Die Werte der empfohlenen Anzugsmomente für die Befestigung der spezifischen Bauteile am Produkt, sind auf den entsprechenden Teilen zu finden.

Ein einwandfreies Anzugsmoment (Schrauben, Bolzen, Muttern) ist für die Sicherheit äußerst wichtig. Wird eine unzureichende Kraft angewendet, dann wird der Verschluss nicht gewährleistet. Eine zu hohe Kraft kann die Gewinde beschädigen oder dazu führen, dass sich das Befestigungselement dehnt, verformt oder bricht. In beiden Fällen kann ein falsches Anzugsmoment zu Kontrollverlust oder Stürzen führen.

Überprüfen, wo angegeben, ob jede Schraube mit dem angegebenen Anzugsmoment verschraubt ist.

Nach der ersten Benutzung und danach in regelmäßigen Abständen die Verschraubung jeder Schraube überprüfen, um eine sichere Befestigung der Bauteile zu gewährleisten.

Die Überprüfung des korrekten Anziehens der Komponenten durch Hebelsysteme (Schnellspannmechanismen), die durch Einwirkung auf die Spannmutter und nicht auf den Verriegelungshebel des Mechanismus geregelt werden, kann in Ermangelung technisch präziser Angaben zu den relativen Werten erfolgen durch Testen, dass die relative Komponente des Befestigungsobjekts nicht beweglich und/oder instabil ist, wenn es einem starken Versuch ausgesetzt wird, es zu entfernen und/oder herauszuziehen; Darüber hinaus sollte geprüft werden, ob der Spannhebel in der Schließphase einen ausreichenden Widerstand aufweist (z. B. dass auf der Handfläche, mit der der Hebel gespannt wird, ein Abdruck entsteht, ein sogenannter „Handballenabdruck“)

und nach dem Schließen eine beträchtliche Kraft erforderlich ist, um eine relative Öffnung zu ermöglichen.

Kann der Sperrhebel des Mechanismus durch einen minimalen Druck mit der Hand bewegt werden, dann ist die Verriegelung unzureichend und die Einstellmutter muss weiter angezogen werden.



## VORSICHT

### Negative Prüfung

Sollten bei der Montage und Inbetriebnahme des Produkts Herstellungsfehler, unklare Schritte oder Montageschwierigkeiten festgestellt werden, fahren Sie nicht mit dem Fahrrad mit Tretunterstützung und wenden Sie sich an den Kundendienst Ihres autorisierten Händlers oder besuchen Sie die Website [www.platum.store/en/assistance](http://www.platum.store/en/assistance) um angemessene Unterstützung zu erhalten.

## 7. Akku

Das Pedelec startet und speist seine elektrischen und elektronischen Funktionen über den mitgelieferten, korrekt aufgeladenen und installierten Lithium-Ionen-Akku.



### Herausziehen und Einsetzen des Akkus

Der Akku kann aus dem Fahrradrahmen herausgenommen werden, damit er nicht gestohlen wird, zum Aufladen oder um ihn unter optimalen Bedingungen aufzubewahren.

Stecken Sie den mitgelieferten Schlüssel in das Schloss am Akku und nachdem Sie den Schlüssel im Uhrzeigersinn in die Entriegelungsposition gedreht haben, entfernen Sie den Akku aus seinem Sitz, indem Sie ihn mit dem entsprechenden mitgelieferten Griff nach oben schieben.



Setzen Sie den Akku in die in den Rahmen des Fahrrads integrierte Aufnahme ein und sichern Sie ihn, indem Sie den Schlüssel gegen den Uhrzeigersinn in die verriegelte Position drehen. Prüfen Sie, dass der Akku korrekt installiert und verriegelt ist, indem Sie versuchen, ihn energisch herauszuziehen und/oder sicherstellen, dass er fest am Rahmen verankert ist und sich nicht bewegt.



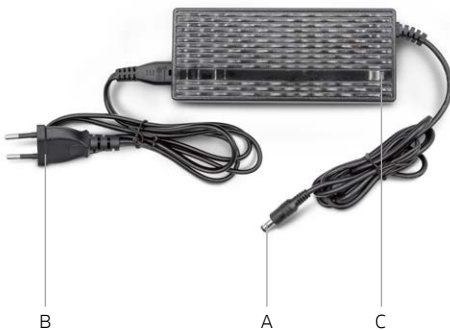
## VORSICHT

Bevor Sie das Pedelec zum ersten Mal benutzen, muss der Akku vollständig mit dem mitgelieferten Ladegerät aufgeladen werden. Die durchschnittliche Ladezeit des Akkus beträgt, je nach der verbleibenden Ladung, maximal 4/9 Stunden.

Wir empfehlen, den Akku nach jeder Fahrt mit dem Pedelec mit seinem Ladegerät aufzuladen.

### Ladeverfahren des Akkus

Verwenden Sie ausschließlich das mitgelieferte Ladegerät oder ein homologiertes Modell mit den gleichen technischen Spezifikationen und achten Sie darauf, die jeweiligen Modalitäten und Vorsichtsmaßnahmen, die auf dem Ladegerät oder in der Anleitung dazu angegeben sind, einzuhalten.



- A. Ladeanschluss
- B. Netzkabelstecker
- C. LED-Leuchte für den Ladezustand des Akkus

Überprüfen, dass das Ladegerät, der Ladestecker, die Ladebuchse des Akkus und der Stecker des Netzkabels trocken sind.

Den Ladestecker des Ladegeräts in die Ladebuchse des Akkus stecken und dann den Stecker in die Steckdose des Stromnetzes einstecken (220V-240V ~ 50/60Hz).

Während des Aufladens des Akkus leuchtet eine Led-Kontrollleuchte am Ladegerät rot. Wenn die LED-Kontrollleuchte grün leuchtet, ist der Akku voll aufgeladen.

Den Ladestecker des Ladegeräts aus der Buchse des Akku-Ladeanschlusses ziehen und den Stecker des Netzkabels aus der Steckdose des Stromnetzes ziehen, um den Ladevorgang zu beenden.



## VORSICHT

Die Verwendung eines anderen als dem mitgegebenen Ladegerät, das nicht zum Aufladen des Akkus des Produkts geeignet und nicht homologiert ist, kann Schäden am Akku verursachen oder zu anderen potentiellen Risiken führen.

Laden Sie das Produkt niemals unbeaufsichtigt auf.

Starten und Lenken Sie das Produkt nicht während des Aufladens. Halten Sie das Ladegerät mit dem Akku während des Aufladens außer Reichweite von Kindern.

Stellen Sie während des Gebrauchs nichts auf das Ladegerät, lassen Sie keine Flüssigkeiten oder Metalle in das Ladegerät eindringen.

Der Akku wird während des Ladezyklus heiß.

Laden Sie das Produkt nicht sofort nach Gebrauch auf. Lassen Sie das Produkt erst abkühlen, bevor Sie mit dem Aufladen beginnen.

Das Produkt sollte nicht über längere Zeit aufgeladen werden. Eine Überladung verkürzt die Lebensdauer des Akkus und birgt zusätzliche potenzielle Risiken.

Wir empfehlen, das Produkt nicht vollständig entladen zu lassen, um Schäden am Akku zu vermeiden, die seine Leistung beeinträchtigen. Der Schaden, der durch ein längeres Nichtaufladen verursacht wird, ist irreversibel und wird nicht von der Garantie abgedeckt. Tritt ein Schaden auf, kann der Akku nicht mehr aufgeladen werden (die Demontage des Akkus durch nicht qualifiziertes Personal ist verboten, da dies zu Stromschlägen, Kurzschlüssen oder sogar größeren Schadensfällen führen kann). Laden Sie den Akku in regelmäßigen Abständen auf (1 Mal alle 3/4 Wochen), auch wenn Sie das Pedelec für eine längere Zeit nicht verwenden.

Laden Sie den Akku an einem trockenen Ort, fern von entzündlichem Material (zum Beispiel Material, das explodieren und sich entflammen kann), vorzugsweise bei einer Raumtemperatur von 15-25°C, niemals unter 0°C oder über + 45°C, auf.

Führen Sie regelmäßig eine Sichtprüfung des Ladegeräts und der Ladekabel durch. Verwenden Sie das Ladegerät nicht, wenn es sichtbare Schäden hat.

### **Autonomie und Dauer des Akkus**

Die Autonomie des mit dem Tretunterstützungsfahrrad gelieferten Akkus und damit die damit verbundene geschätzte Entfernung in km können je nach spezifischer Verwendungsart (zu transportierende Gesamtlast, vom Fahrer bereitgestellte Muskelleistung, Grad der elektrischen Unterstützung des gewählten Fahrrads, Pedalweg, Häufigkeit von Abfahrten/Neustarts), die mechanischen und elektrischen Bedingungen des Produkts (Druck und Verschleiß der Reifen, Wirkungsgrad des Akkus) und äußere Einflüsse (Steigungen und Straßenbelag, atmosphärische Bedingungen) erheblich variieren. Mit der Zeit verringern sich die Kapazität und die Leistungen des Akkus aufgrund einer elektrochemischen Verschlechterung der Akkuzellen.

Es ist unmöglich, die exakte Dauer abzuschätzen, da diese vor allem von der Verwendungsart und den Belastungen, denen der Akku ausgesetzt ist, abhängt. Um die Langlebigkeit des Akkus zu begünstigen, empfiehlt es sich, ihn in einer trockenen Umgebung

und ohne direkte Sonneneinstrahlung sowie vorzugsweise bei einer Innentemperatur von 15–25°C, jedoch niemals unter 0°C oder über + 45°C, aufzubewahren, idealerweise bei Raumtemperatur aufladen und Überladung oder vollständige Entladung während des Gebrauchs vermeiden und den Akku in regelmäßigen Abständen aufladen, auch wenn Sie das Tretunterstützungsfahrrad über einen längeren Zeitraum nicht benutzen (mindestens einmal alle 3/4 Wochen). Kälte verringert die Akkuleistungen. Bei Betrieb im Winter wird empfohlen, den Akku bei Raumtemperatur aufzuladen und zu lagern und erst kurz vor der Nutzung in das Pedelec einzusetzen.



### Warnhinweise zum Akku

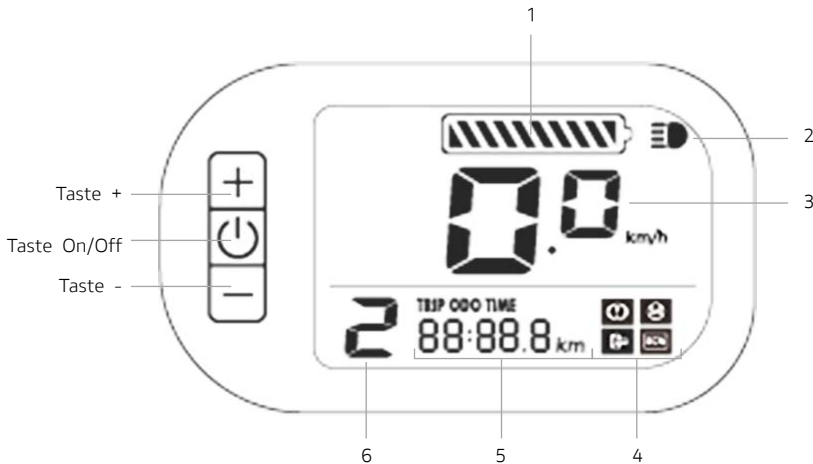
Der Akku besteht aus Lithium-Ionen-Zellen und chemischen Elementen, welche die Gesundheit und die Umwelt gefährden können.

- Verwenden Sie das Produkt nicht, wenn es Gerüche, Substanzen oder übermäßige Hitze abgibt.
- Entsorgen Sie das Produkt oder den Akku nicht mit dem Hausmüll.
- Der Endverbraucher ist für die Entsorgung von elektrischen und elektronischen Geräten und Akkus gemäß allen geltenden Vorschriften verantwortlich.
- Vermeiden Sie die Verwendung gebrauchter, defekter und/oder nicht originaler Akkus anderer Modelle oder Marken.
- Lassen Sie den Akku nicht in der Nähe von offen Flammen oder Wärmequellen. Es besteht Brand- und Explosionsgefahr.
- Öffnen oder zerlegen Sie den Akku keinesfalls, schlagen Sie nicht auf den Akku und befestigen Sie keine Gegenstände an diesem.
- Berühren Sie keine aus dem Akku ausgelaufenen Substanzen, da diese gefährliche Substanzen enthalten.
- Achten Sie darauf, dass Kinder oder Tiere den Akku nicht berühren.
- Überladen Sie den Akku nicht und schließen Sie ihn nicht kurz. Es besteht Brand- und Explosionsgefahr.
- Lassen Sie den Akku während des Aufladens niemals unbeaufsichtigt. Brandgefahr! Stecken Sie niemals Metallgegenstände in die Ladebuchse.
- Tauchen Sie den Akku nicht in Wasser und setzen Sie ihn nicht Regen oder anderen flüssigen Substanzen aus.
- Setzen Sie den Akku nicht direktem Sonnenlicht, übermäßiger Hitze oder Kälte (lassen Sie das Produkt oder den Akku z.B. nicht über einen längeren Zeitraum in einem Auto im direkten Sonnenlicht liegen), einer Umgebung mit explosiven Gasen oder Flammen aus.
- Tragen oder lagern Sie den Akku nicht zusammen mit Metallgegenständen wie Haarnadeln, Halsketten usw. Der Kontakt zwischen Metallgegenständen und Akkukontakten kann Kurzschlüsse verursachen, die zu körperlichen Schäden oder zum Tod führen können.

## 8. Display

Das Pedelec wird mit einem Steuergerät mit LCD-Display geliefert, das am Lenker angebracht ist und durch den Akku des Produkts gespeist wird. Es erlaubt eine Datenkontrolle sowie die Steuerung aller elektrischen und elektronischen Funktionen des Produkts.

### Übersicht über die Tasten und Symbole



1. Anzeige des Akkuladestands
2. Aktivierungsanzeige für vorderes LED-Licht
3. Digitaler Tachometer: Anzeige der momentanen Geschwindigkeit, die während der Nutzung erkannt wird
4. Systemleuchten
5. Anzeige der Nutzungsdaten (TRIP – ODO – TIME)
6. Anzeige der ausgewählten Tretunterstützungsstufe

## Beschreibung der Funktionen

Einschalten / Ausschalten:

Drücken Sie die On-/Off-Taste, um das LCD-Display ein- oder auszuschalten und die Aktivierung oder Deaktivierung des Systems zu ermöglichen.

Auswahl der Tretunterstützungsstufe:

Drücken Sie kurz die Taste „+“ oder „-“, um die vom Motor bereitgestellte Tretunterstützung zu erhöhen oder zu verringern.

Die wählbaren Tretunterstützungsstufen liegen zwischen den Werten 1 und 3. Durch Auswahl von Stufe 1 stellen Sie den Modus ein, der die minimale elektrische Tretunterstützung durch den Motor bietet.

Mit der Auswahl der Stufe 3 stellen Sie den Modus ein, der die maximale elektrische Tretunterstützung durch den Motor bietet.

Durch Drücken der -Taste bis zur Auswahl der Stufe 0 ist die Aktivierung der elektrischen Tretunterstützung ausgeschlossen.

Vorderlicht ein/aus:

Drücken Sie die +-Taste mindestens 3 Sekunden lang, um das Vorderlicht ein- oder auszuschalten.

Anzeige der Nutzungsdaten (TRIP – ODO – TIME):

Drücken Sie kurz die On-/Off-Taste, um nacheinander die spezifischen Nutzungsdaten des Tretunterstützungsfahrrads auszuwählen und anzuzeigen, die verfügbar sind in Bezug auf:

- TRIP = Visualisierung der zurückgelegten Teilstrecke
- ODO = Visualisierung der zurückgelegten Gesamtstrecke
- TIME = Anzeige der Nutzungsdauerdaten

Anzeige des verbleibenden Akkuladestands:

Der Ladezustand des Akkus wird auf dem Display durch eine Anzahl von Segmenten zwischen 0 und 10 angezeigt.

Wenn alle 10 Segmente leuchten, ist der prozentual festgelegte und unmittelbar gemessene Ladeintervall des Akkus auf dem Maximum.

Die Verringerung der Segmente zeigt an, dass der Akkustand sinkt und die Autonomie sich verringert.

Die einzelnen Segmente zeigen den spezifischen, unmittelbar gemessenen Ladeintervalls des Akkus an, anhand dessen jedoch nicht unbedingt bestimmt werden kann, wie viel Autonomie noch übrig geblieben ist.

Der angezeigte Ladestand des Akkus kann abhängig von der Verwendung des Pedelecs schwanken. Wenn man zum Beispiel eine Steigung hochfährt, kann der angezeigte Stand rasch sinken, da der Akkuverbrauch merklich höher ist.

Systemleuchten:

Weitere Informationen finden Sie in Kapitel 12 des Handbuchs.

## 9. Inbetriebnahme

Bevor Sie das Pedalec verwenden, sollten neben der Überprüfung des Ladezustands und der korrekten Installation des Akkus, um eine ordnungsgemäße Nutzung im Straßenverkehr zu ermöglichen und einen effizienten und sicheren Betrieb des Produkts zu gewährleisten, immer alle Teile sorgfältig überprüft und die notwendigen Einstellungen an den entsprechenden mechanischen Komponenten vorgenommen werden, entweder direkt oder mit Unterstützung von Fachpersonal, siehe: Einstellen und Festziehen von Sattel und Sattelstütze, Einstellen und Festziehen von Lenker und Vorbau, Einstellen der Bremsen, Einstellen der Schaltung, Schmieren von Kette und Getriebe, Prüfen der Räder und des Reifendrucks, allgemeine Überprüfung des korrekten Anzugs der Befestigungsschrauben, der Schnellspanner und der Steckachsen sowie eine allgemeine Kontrolle aller Teile auf ihre Funktionstüchtigkeit.

### **Sattel**

Ihre Sitzposition auf dem Fahrrad ist sehr wichtig, um den besten Gebrauchskomfort zu garantieren, damit Sie richtig in die Pedale treten und Sicherheitsprobleme vermieden werden.

Aus diesem Grund müssen die Position und die Einstellungen des Sattels und der Sattelstütze der Physiognomie des Benutzers angepasst werden.

Um die Sattelhöhe einzustellen, muss man die Schelle lösen, welche die Sattelstütze an den Rahmen drückt und ihn je nach Bedarf höher oder niedriger stellen. Achten Sie darauf, ihn nicht über die Markierung am Rohr zu ziehen, um das Risiko von Brüchen des Rahmens zu vermeiden; sobald man die richtige Position gefunden hat, mit allen Vorkehrungen hinsichtlich des Herausziehens der Sattelstütze, ziehen Sie die Schelle an, bis die Sattelstütze fest und stabil sitzt und sich nicht bewegt.

Allgemein wird empfohlen, die Sattelhöhe so einzustellen, dass mit dem Fuß auf dem Pedal, das auf den niedrigsten Punkt der Drehung positioniert ist, das Bein fast vollständig gestreckt ist.

Um die Vorverlagerung des Sattels einzustellen, muss das entsprechende Befestigungssystem in der Halterung der Sattelstütze gelockert werden, damit die gewünschte Position eingestellt werden kann, und dann das Befestigungssystem wieder korrekt angezogen werden, um Spiel und Bewegungen zu vermeiden.

### **Lenker**

Um die Position und Neigung des Lenkers einzustellen, lockern Sie das Spannsystem am Vorbau, drehen Sie den Lenker in die gewünschte Position und sichern Sie ihn durch Festziehen des Spannsystems, damit er sich nicht bewegt.

### **Bremsen**

Das auf dem Produkt installierte Bremssystem sieht mechanische Scheibenbremsen, die am Vorderrad und am Hinterrad mit den entsprechenden Hebeln am Lenker betätigt werden können.

Der Bremshebel an der rechten Seite des Lenkers betätigt die Rückbremse und bremst das Hinterrad ab, der Bremshebel auf der linken Seite des Lenkers hingegen betätigt die Vorderbremse, mit der das Vorderrad angehalten wird.

Die Hebel der Vorder- und Rückbremse müssen so angebracht und ausgerichtet sein, dass ihre Ergonomie optimal ist, das heißt, eine natürliche Haltung der Hand und der

Finger, welche die Hebel betätigen, gefördert wird, die Kraft und notwendige Zeit zum Bremsen so gering wie möglich ist und die Möglichkeit einer guten Bremsmodulation nicht verloren geht.

Die Bremshebel der Produkte sind einzeln mit einer Vorrichtung (Cut-Off-Sensor) ausgestattet, durch die bei Betätigung des Bremshebels, mit dem sie verbunden ist, eine umgehende elektronische Abschaltung der Antriebswirkung des Motors erfolgt.

Kontrollieren Sie die Funktionstüchtigkeit der Bremsen mit einem Bremstest bei niedriger Geschwindigkeit (max. 6 km/h) auf einer freien Strecke.

Bremsbeläge nutzen sich progressiv mit der Verwendung ab und werden immer dünner, dadurch brauchen die Bremshebel einen längeren Lauf, um dieselbe Bremskraft auszuüben, muss man, um den Verschleiß der Bremsbeläge zu kompensieren, auf die Ringmutter zur Einstellung des Bremsseils hinter dem entsprechenden Hebel einwirken, um die optimalen Bremsbedingungen wiederherzustellen; zu stark abgenutzte Bremsbeläge müssen ersetzt werden.

### **Schaltung und Getriebe**

Das mit dem Produkt gelieferte Kabelschaltsystem ist indexiert und ermöglicht die Änderung des Übersetzungsverhältnisses und des metrischen Verlaufs des Pedalwegs durch Einwirkung auf den Schaltzug am Lenker, der die seitliche Bewegung der Kette auf dem entsprechenden Ritzel der am Hinterrad installierten Kassette über dem Umwerfer steuert.

Kontrollieren Sie, dass die Gangschaltung korrekt funktioniert und eingestellt ist und die Kette und die Getriebezahnräder sauber und ausreichend geschmiert sind.

### **Räder und Reifen**

Überprüfen Sie die Radzentrierung, die Installation und das Blockieren der Räder.

Prüfen Sie das Vorhandensein und die korrekte Montage der Reflektoren.

Kontrollieren Sie den Zustand und den Verschleiß der Reifen: Sie dürfen keine Schnitte, Risse, Fremdkörper, anormale Wülste, sichtbare Gewebe und andere Schäden haben.

Prüfen Sie den Reifendruck, der innerhalb der Mindest- und Höchstwerte, die auf den Reifen stehen, liegen muss (der richtige Druck muss auf Basis des getragenen Gewichts, den Wetterbedingungen und dem Straßenbelag bestimmt werden).

Korrekt aufgepumpte Reifen verbessern nicht nur die Gleitfähigkeit der Räder, sondern verringern auch das Risiko von Löchern und Abnutzung.

## 10. Lagerung, Wartung und Reinigung

Damit das Produkt über die Zeit sicher bleibt und immer gut funktioniert, muss man es regelmäßig kontrollieren und warten.

Einige Kontrollen und Wartungsmaßnahmen kann der Benutzer bzw. jeder, der Grundkenntnisse der Mechanik, Handfertigkeit und geeignete Instrumente hat, selbst durchführen.

Andere Arbeiten verlangen die Kompetenz und das spezifische Werkzeug eines Fachmanns.

Ihr Händler kann alle Informationen zu den Kontrollen, die der Benutzer selbst durchführen kann, geben und empfehlen, welche ordentlichen Wartungsmaßnahmen in regelmäßigen Abständen auf Basis der Intensität und den Bedingungen der Verwendung des Produkts zu ergreifen sind.

Alle Wartungsarbeiten müssen mit abgeschaltetem Akku und dem Fahrrad auf dem Ständer durchgeführt werden. Die verschiedenen Teile des Produkts sind dem Verschleiß durch die Benutzung unterschiedlich ausgesetzt.

Wir empfehlen vor allem die folgenden Bauteile regelmäßig zu prüfen und zu warten: Reifen, Räder, Bremsen, Gangschaltung, Kette und Rahmen.

Die **Reifen** unterliegen im Laufe der Zeit dem physiologischen Verbrauch des Reifenprofils, der durch spezifische Verwendungsweisen und dem Verwendungsbereich verstärkt wird, und einer natürlichen Verhärtung ihres Kautschukgemischs.

Kontrollieren Sie konstant den Druck der Luftkammern in den Reifen, um das Risiko von Löchern zu reduzieren, den Ermüdungsprozess zu begrenzen und einen sichereren und leistungsstarken Gebrauch des Produkts zu garantieren.

Prüfen Sie regelmäßig den Verschleißzustand und die Alterung/Ermüdung der Reifen und ersetzen Sie sie rechtzeitig mit Reifen mit denselben Eigenschaften.

Der Zustand der **Räder** muss konstant geprüft werden, um Verformungen, Dellen, Risse und/oder andere Anzeichen von Rost und Schäden, die einen Austausch für die Sicherheit notwendig machen, rechtzeitig festzustellen.

Um die Funktionstüchtigkeit der **Bremsen**, zu gewährleisten, müssen nicht nur der Verschleißzustand und die Unversehrtheit der Bremsscheiben und Bremssättel regelmäßig überprüft werden, sondern es müssen auch die Bremsbeläge an den entsprechenden Bremssätteln ausgetauscht werden, wenn sie eine Dicke von nicht weniger als 1 mm erreicht haben und muss man periodisch den Verschleißzustand der Stahldrähte in den Ummantelungen des Bremssystems prüfen und sie austauschen, sobald Verschleißspuren zu sehen sind, um einem Bruch vorzubeugen.

Die korrekte Funktion des Getriebes des Pedelecs wird durch eine geeignete Wartung und Einstellung der Bauteile garantiert.

Die **Gangschaltung** mit Schaltzug wird während des Gebrauchs stark beansprucht und, weil sie unter mechanischer Spannung arbeitet, verstellt sie sich leicht; die Dauer und/oder Wiederherstellung der korrekten Betriebsbedingungen der getakteten Gangschaltung werden von der richtigen Einstellung des Umwerfers (Endschalterschrauben) und Justierung des Schaltzugs garantiert.

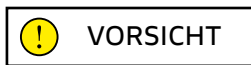
Die **Kette** und die Getriebezahnräder verschleifen durch den Gebrauch und, um ihre Unversehrtheit und einen reibungslosen, geräuschlosen Betrieb zu garantieren, müssen sie regelmäßig gereinigt und mit spezifischen, der Jahreszeit und der Verwendungsmodalität

des Produkts angepassten Schmiermitteln (Tropfen oder Spray, trocken oder feucht) geschmiert und regelmäßig ersetzt werden.

Schmieren Sie die betroffenen Teile immer erst, nachdem Sie sie gereinigt und entfettet haben und beseitigen Sie danach, vor allem, wenn Sie Schmieröle verwenden, überschüssiges Schmiermittel.

Der **Rahmen** des Produkts muss regelmäßig kontrolliert werden, um eventuelle Anzeichen von Rissbildungen und/oder so genannter „Materialermüdung“ auszuschließen und um rechtzeitig eingreifen zu können, um das Risiko von Schäden und/ oder Bruch zu reduzieren und/oder zu beseitigen.

Wir empfehlen, jedes Befestigungselement am Produkt sorgfältig zu kontrollieren und präventiv und regelmäßig den Anzug der selbstsichernden Schraubenmutter und der Befestigungsschrauben, die sich mit der Zeit und durch die Benutzung lösen können, zu überprüfen.



Nach jeder Routinewartungsmaßnahme müssen alle Bedienelemente auf ihre perfekte Funktionstüchtigkeit geprüft werden.

### **Hinweise zur Wartung**

Bei jeder Wartungsmaßnahme muss darauf geachtet werden, dass der Akku nicht angeschlossen ist.

Während der Wartung muss die notwendige Ausrüstung zur Verhütung von Unfällen und Verletzungen getragen und benutzt werden. Die für die Wartung verwendeten Werkzeuge und Mittel müssen geeignet und von guter Qualität sein.

Verwenden Sie kein Benzin oder entflammbare Lösungsmittel zum Reinigen, benutzen Sie stattdessen immer nicht entflammbare und ungiftige Lösungsmittel. Begrenzen Sie den Gebrauch von Druckluft auf ein Minimum und schützen Sie sich mit einer Schutzbrille mit Seitenschutz.

Verwenden Sie zum Leuchten für die Kontrollen und Wartungsarbeiten niemals offene Flammen.

Vergewissern Sie sich nach jedem Wartungseingriff und jeder Einstellung, dass kein Werkzeug oder Fremdkörper zwischen den Bewegungselementen des Pedelects geblieben ist.

Dieses Handbuch liefert keine ausführlichen Informationen zur Demontage und außerordentlichen Wartungsmaßnahmen, die immer und ausschließlich vom Personal des Kundendienstes des autorisierten Händlers durchgeführt werden dürfen.

Der Kundendienst kann alle Anleitungen geben und auf alle Fragen antworten, die Sie brauchen, um Ihr Pedelect zu pflegen und perfekt funktionstüchtig zu erhalten.



**VORSICHT**

## Reinigung

Das Reinigen des Pedelecs ist nicht nur eine Frage des „Glanzes“, sondern erlaubt auch, eventuelle Mängel sofort zu entdecken.

Waschen Sie das Produkt, aus dem unbedingt der Akku herausgenommen worden sein muss, vorzugsweise mit einem weichem Schwamm und/oder Lappen und Wasser. Sie können einen spezifischen neutralen Reiniger hinzufügen und Sie müssen besonders vorsichtig bei den elektronischen Teilen vorgehen.

Es ist absolut verboten Druckwasserstrahlen auf die elektrischen Teile, den Motor, den Display und den Akku zu richten. Nach dem Waschen ist es wichtig, alle gewaschenen Bauteile sowie den Rahmen und die Bremsflächen mit einem zweiten weichen Tuch zu trocknen und/oder mit Niederdruck-Pressluft vollständig zu trocknen und zu prüfen, dass keine Restfeuchtigkeit auf den elektrischen Komponenten verbleibt.

Flecken am Rahmen des Produkts wischen Sie mit einem feuchten Tuch ab. Wenn die Flecken bestehen bleiben, tragen Sie milde Seife auf, bürsten Sie sie mit einer Zahnbürste aus und reinigen Sie sie anschließend mit einem feuchten Tuch.

Reinigen Sie das Produkt nicht mit Alkohol, Benzin, Petroleum oder anderen ätzenden und flüchtigen chemischen Lösungsmitteln, um ernsthafte Schäden zu vermeiden.



**GEFAHR**

**Alle Reinigungsmaßnahmen am Pedelec dürfen nur mit herausgenommenem Akku durchgeführt werden.**

Das Eindringen von Wasser in den Akku kann zu Schäden an internen Schaltkreisen, Brand- oder Explosionsgefahr führen. Falls der Verdacht besteht, dass Wasser in das Innere des Akkus eingedrungen ist, stellen Sie den Betrieb des Akkus unverzüglich ein und geben Sie ihn zur Überprüfung an den technischen Kundendienst oder an den Händler zurück.

## Aufbewahrung und Lagerung

Nel caso in cui la bicicletta a pedalata assistita dovesse essere immagazzinata e conservata per lunghi periodi di inattività sarà necessario il relativo deposito in un ambiente chiuso, in un luogo secco, fresco e possibilmente arieggiato, avendo cura di effettuare le seguenti operazioni:

- Das Pedelec vor dem Lagern gründlich reinigen.
- Den Akku des Pedelecs herausnehmen, den Sie, nachdem Sie ihn mit dem Schlüssel oder Schalter (falls vorhanden) abgeschaltet und verriegelt haben, an einem trockenen Ort, fern von entflammaren Materialien (zum Beispiel explosionsfähiges Material), vorzugsweise bei einer Raumtemperatur von 15–25 °C, die niemals unter 0 °C fallen und niemals +45 °C übersteigen darf, aufbewahren sollten. Laden Sie den Akku regelmäßig auf, damit sich seine Spannung nicht zu stark reduziert, da dies zu Schäden und Leistungsverlust führen kann.
- Die elektrischen Kontakte mit Rostschutzmitteln schützen.
- Alle unbeschichteten und unbehandelten Oberflächen einfetten.



**VORSICHT**

Lagern Sie das Produkt nicht für längere im Freien oder in einem Fahrzeug. Übermäßiges Sonnenlicht, Überhitzung und übermäßige Kälte beschleunigen die Alterung der Reifen und beeinträchtigen die Lebensdauer des Produkts und des Akkus. Setzen Sie ihn weder Regen noch Wasser aus, tauchen Sie ihn nicht in Wasser ein und waschen Sie es nicht damit.

### **Anheben**

Das Pedelec sollte wegen seines Gewichtes immer von zwei Erwachsenen sehr vorsichtig, um Verletzungen (Quetschungen und Unfälle) und Sachschäden (Stöße und Aufschläge) zu vermeiden, angehoben werden.



**GEFAHR**

### **Transport**

Um den sicheren Transport des Pedelecs im oder außen am (z.B. Fahrradträger) Transportfahrzeug zu gewährleisten, muss, nachdem zuerst der Akku und alle Zubehörteile am Pedelec ausgebaut worden sind, das Pedelec mit geeignetem Befestigungsmaterial (Gurte oder Seile) und Anschlagzeug im guten Zustand so befestigt werden, dass der Rahmen, die Kabel und andere Teile des Produkts nicht beschädigt werden.

Der Benutzer ist dafür verantwortlich, sicherzustellen, dass die Ausrüstungen für den Transport geeignet sind und die Geräte, die er verwendet oder installiert (z. B. Fahrradträger) den Anforderungen der Landesbestimmungen hinsichtlich ihrer Homologation und Zulassung entsprechen.

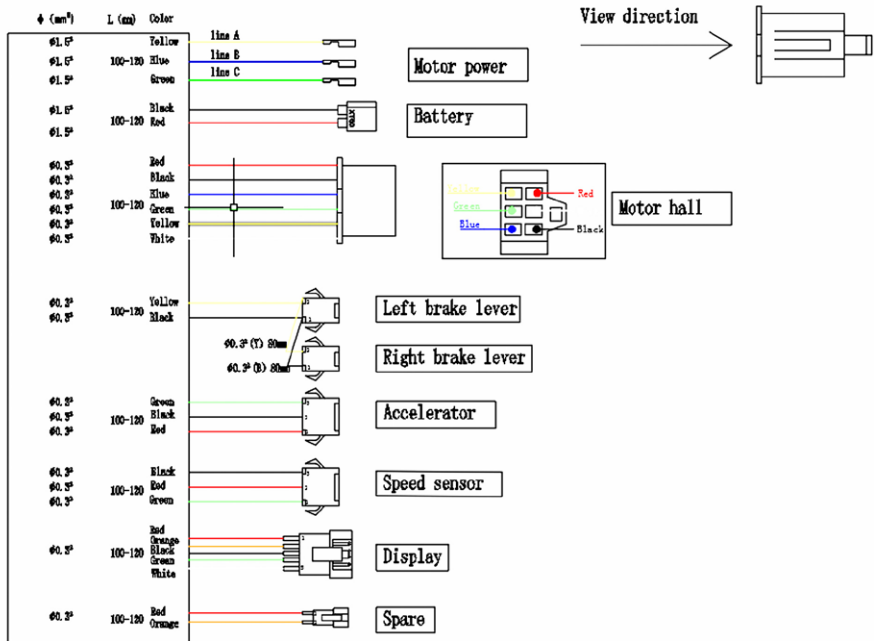


**VORSICHT**





Der Hersteller haftet nicht für Schäden durch das Heben und/oder Transportieren des Pedelecs nach der Lieferung.

# 11. Anschlussplan

## 250W Controller



## 12. Fehlerbehebung

Display Anzeige	Gründe	Lösungen
Bremse 	Zeigt an, dass die Bremse angezogen ist	/
	Bremshebel kehrt nicht in Normalstellung zurück	Drücken Sie den Bremshebel einige Male, um ihn zurück kehren zu lassen. Durch neuen Bremshebel ersetzen
Beschleunigerfehler 	Gaskabel, Gaspedal oder Stecker kaputt/beschädigt	Durch neues Kabel, Gaspedal ersetzen
	Anschlüsse zwischen Beschleuniger und Controller sind nicht gut verbunden	Wieder korrekt anschließen
Motorfehler 	Motor funktioniert nicht	Durch neuen Motor ersetzen
	Kabel oder Stecker sind gebrochen/beschädigt	Durch neues Kabel ersetzen
	Motorkabel ist nicht richtig oder falsch angeschlossen	Wieder korrekt anschließen
Controller-Fehler 	Controller ist defekt	Durch neuen Controller ersetzen

## 13. Haftung und allgemeine Garantiebedingungen

Der Fahrer übernimmt die Verantwortung für alle Risiken im Zusammenhang mit der Nichtbenutzung eines Helms und anderen Schutzausrüstungen. Der Fahrer ist verpflichtet, die geltenden örtlichen Vorschriften einzuhalten in Bezug auf:

1. Dem zulässigen Mindestalter für den Fahrer,
2. der Beschränkungen auf die Personentypologien, welche das Produkt benutzen dürfen
3. allen anderen regulatorischen Aspekte

Der Fahrer ist außerdem verpflichtet, das Produkt sauber und im perfekten Leistungs- und Wartungszustand zu halten, sorgfältig die Sicherheitskontrollen, die in seinen Zuständigkeitsbereich fallen, durchzuführen, das Produkt in keiner Weise zu manipulieren und die gesamte Dokumentation zur Wartung aufzubewahren.

Das Unternehmen haftet nicht für Schäden, die in den folgenden Fällen an Sachen oder Personen verursacht werden, und ist in keiner Weise verantwortlich, wenn:

- das Produkt unsachgemäß oder nicht in Übereinstimmung mit der Gebrauchsanweisung verwendet wird;
- das Produkt nach dem Kauf ganz oder teilweise verändert oder manipuliert wird.

Bei Fehlfunktionen des Produkts, die nicht einem falschen Verhalten des Fahrers zugeschrieben werden können, und wenn Sie die allgemeinen Garantiebedingungen nachsehen möchten, kontaktieren Sie bitte Ihren Händler oder besuchen Sie die Website [www.platum.com/en/ducati-urban-e-mobility/](http://www.platum.com/en/ducati-urban-e-mobility/)

Von der Mängelhaftung für die Produkte sind in jedem Fall Schäden und/oder Fehlfunktionen ausgeschlossen, die durch zufällige und/oder der Verantwortung des Käufers zuzuschreibende Vorfälle oder einen bestimmungswidrigen und/oder nicht von der technischen Dokumentation für das Produkt beschriebenen Gebrauch oder wegen der versäumten Einstellung der mechanischen Teile, natürlichem Verschleiß der Verschleißteile oder durch Montagefehler, mangelnde Wartung und/oder Missachtung der Gebrauchsanweisungen für das Produkt entstanden sind.

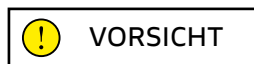
Zum Beispiel werden von der Mängelhaftung für das Produkt nicht abgedeckt:

- Durch Stöße, Stürze oder Kollisionen und Löcher verursachte Schäden;
- Schäden, die durch Gebrauch, Exposition oder Unterstellung an ungeeigneten Orten (z.B. unter Regen und/oder im Schlamm, in feuchten Räumen oder neben extrem starken Wärmequellen, im Sand oder Kontakt mit anderen Stoffen) verursacht wurden;
- durch versäumte Einstellung für den Straßenverkehr und/oder Wartung der mechanischen Teile, der Bremsen, des Lenkers, der Reifen usw., falsche Installation und/oder falsche Montage der Teile und/oder Bauteile verursachte Schäden;
- der natürliche Verschleiß von Verschleißmaterialien: Scheibenbremse (z.B. Beläge, Sättel, Scheibe, Kabel), Reifen, Trittbretter, Dichtungen, Lager, Led-Leuchten und Lampen, Ständer, Handgriffe, Schutzbleche, Gummiteile (Trittbrett), Kabel der Kabelstecker, Masken und Aufkleber usw.;
- Schäden durch unsachgemäße Wartung bzw. Gebrauch des Akkus
- Schäden durch Manipulation bzw. gewaltsames Entfernen von Teilen des Produkts

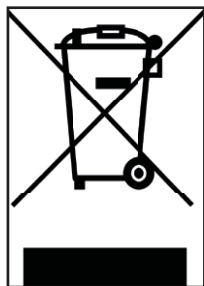
- Schäden durch falsche oder ungeeignete Wartungsmaßnahmen oder Änderungen am Produkt
- Schäden durch unsachgemäße Verwendung des Produkts (z. B. zu hohe Last, Gebrauch in Wettrennen bzw. Verleih oder Vermietung des Produkts)
- Schäden durch Reparaturen bzw. technische Eingriffe am Produkt durch nicht autorisierte Dritte
- Transportschäden, falls der Transport vom Käufer durchgeführt worden ist
- Schäden bzw. Mängel durch Verwendung von nicht originalen Ersatzteilen

Bitte lesen Sie die aktuelle Version der Garantiebedingungen, die auf der Website [www.platum.store/en/assistance](http://www.platum.store/en/assistance) zur Einsicht eingestellt ist.

## 14. Informationen zur Entsorgung



**Behandlung von Elektro- oder Elektronikgeräten am Ende ihrer Lebensdauer (gilt in allen Ländern der Europäischen Union und anderen europäischen Systemen mit getrennter Sammlung)**



Dieses Symbol auf dem Produkt oder auf der Verpackung weist darauf hin, dass das Produkt nicht als normaler Hausmüll betrachtet werden sollte, sondern an eine geeignete Sammelstelle für das Recycling von Elektro- und Elektronikgeräten (WEEE) geliefert werden sollte.

Indem Sie sicherstellen, dass dieses Produkt ordnungsgemäß entsorgt wird, tragen Sie dazu bei, mögliche negative Folgen für die Umwelt und die Gesundheit zu vermeiden, die andernfalls durch eine unsachgemäße Entsorgung verursacht werden könnten.

Das Recycling der Materialien hilft die natürlichen Ressourcen zu schützen. Ausführlichere Informationen zum Recycling und zur Entsorgung dieses Produkts erhalten Sie von Ihrem örtlichen Abfallentsorgungsdienst oder der Verkaufsstelle, bei der Sie das Produkt gekauft haben. In jedem Fall muss die Entsorgung gemäß der im eigenen Land geltenden Gesetzgebung erfolgen.

Insbesondere sind die Verbraucher verpflichtet, Elektro- und Elektronik-Altgeräte nicht als Haushaltsmüll zu entsorgen, sondern müssen auf zwei Arten an der getrennten Sammlung dieser Art von Abfällen teilnehmen:

- In den städtischen Sammel- und Abfallannahmestellen (auch Recyclinghöfe genannt), direkt oder über die Sammeldienste der kommunalen Unternehmen, sofern diese verfügbar.
- An den Verkaufsstellen für neue elektrische und elektronische Geräte.

An diese Stellen können sehr kleine Elektro- und Elektronik-Altgeräte (mit einer längsten Seite von weniger als 25 cm) kostenlos abgegeben werden, während die größeren im 1-zu-1-Modus geliefert werden können, d.h. durch Entgegennahme des alten Produkts beim Kauf eines neuen, mit gleichen Funktionen.

Außerdem wird die 1:1 - Modalität während des Kaufs durch den Verbraucher eines Neugeräts unabhängig von der Größe des Altgeräts immer garantiert.

Im Falle einer unsachgemäßen Entsorgung von Elektro- und Elektronikgeräten können die in den geltenden Umweltschutzvorschriften vorgesehenen spezifischen Sanktionen verhängt werden.

Wenn WEEE-Altgeräte Batterien oder Akkumulatoren enthalten, müssen diese entfernt und einer getrennten Sammlung zugeführt werden.



**VORSICHT**

**Behandlung von Altbatterien (anwendbar in allen Ländern der Europäischen Union und anderen europäischen Systemen mit getrennten Sammelsystemen)**



Dieses Symbol auf dem Produkt oder auf der Verpackung weist darauf hin, dass der Akku nicht als normaler Hausmüll einzustufen ist. Bei einigen Batterietypen kann dieses Symbol in Kombination mit einem chemischen Symbol verwendet werden.

Chemische Symbole für Quecksilber (Hg) oder Blei (Pb) werden hinzugefügt, wenn die Akku mehr als 0,0005% Quecksilber oder 0,004% Blei enthält.

Indem Sie sicherstellen, dass die Batterien ordnungsgemäß entsorgt werden, tragen Sie dazu bei, mögliche negative Folgen für Umwelt und Gesundheit zu vermeiden, die andernfalls durch eine unsachgemäße Entsorgung verursacht werden könnten. Das Recycling von Materialien hilft, natürliche Ressourcen zu schonen. Bei Produkten, die aus Sicherheits-, Leistungs- oder Datenschutzgründen eine feste Verbindung zu einem internen Akku erfordern, darf dieser nur von qualifiziertem Servicepersonal ersetzt werden.

Geben Sie das Produkt am Ende seiner Lebensdauer an geeigneten Sammelstellen für die Entsorgung von Elektro- und Elektronikgeräten ab. So ist sichergestellt, dass auch der darin befindliche Akku korrekt behandelt wird.

Für nähere Informationen zur Entsorgung des verbrauchten Akkus oder des Produkts wenden Sie sich bitte an den örtlichen Entsorgungsdienst oder an die Verkaufsstelle, bei der Sie den Akku gekauft haben.

In jedem Fall muss die Entsorgung gemäß der im eigenen Land geltenden Gesetzgebung erfolgen.

**MG-20**

foldable e-bike

## Gebruiks- en onderhoudshandleiding

Inhoud Instructies vertaald uit het originele Italiaans.

Voordat u de fiets gebruikt, moet u hem goed monteren  
en alle onderdelen controleren.

Schade als gevolg van onjuiste montage of onjuist onderhoud  
valt niet onder de garantie.

Voor meer informatie of om technische ondersteuning en service aan te vragen,  
kunt u contact opnemen met uw dealer of kijken op

[www.platum.com/en/ducati-urban-e-mobility/](http://www.platum.com/en/ducati-urban-e-mobility/)

1. Inleiding
2. Waarschuwingen over gebruik en veiligheid
3. Inhoud van de verpakking
4. Overzicht product
5. Technische specificaties
6. Montage
7. Accu
8. Display
9. Inbedrijfstelling
10. Opslag, onderhoud en reiniging
11. Aansluitingsdiagram
12. Problemen oplossen
13. Garantievoorwaarden
14. Informatie over de verwijdering

# 1. Inleiding

## Algemeen

Deze handleiding is een integraal en essentieel onderdeel van het rijwiel met trapondersteuning (EPAC).

Vóór de inbedrijfstelling is het van essentieel belang dat gebruikers de volgende bepalingen lezen, begrijpen en nauwgezet uitvoeren.

De fabrikant is niet aansprakelijk voor veroorzaakte schade en voor schade veroorzaakt aan voorwerpen en personen, met name als:

- het product op oneigenlijke wijze wordt gebruikt of niet in overeenstemming met de inhoud van de handleiding;
- het product na de aankoop wordt gewijzigd of er wordt geknoeid met alle of enkele van de onderdelen.

Met het oog op de voortdurende technologische ontwikkeling behoudt de fabrikant zich het recht voor om het product zonder voorafgaande kennisgeving bij te werken, zonder dat deze handleiding automatisch wordt bijgewerkt. Ga voor informatie en mogelijke herzieningen van deze handleiding naar [www.platum.com/en/ducati-urban-e-mobility/](http://www.platum.com/en/ducati-urban-e-mobility/)

## Klantenservice

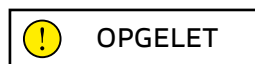
Mocht u problemen of vragen hebben, aarzel dan niet contact op te nemen met de klantenservice van uw erkende dealer, die beschikt over bekwaam en gespecialiseerd personeel, gespecialiseerde apparatuur en originele reserveonderdelen.

## Wettelijke kennisgeving over het gebruik

Controleer en leef de verkeersregels en plaatselijke verkeersvoorschriften na die van kracht zijn met betrekking tot rijwielen, in verband met beperkingen van het type bestuurders dat het product mag gebruiken en het gebruik van het product zelf.

## Grafische vorm van de veiligheidswaarschuwingen

Om de veiligheidsmeldingen in deze handleiding te identificeren, worden de volgende grafische signaleringssymbolen gebruikt om de aandacht van de lezer/gebruiker te trekken met het oog op een correct en veilig gebruik van het rijwiel met trapondersteuning.



## Let op

Benadrukt de regels die moeten worden gevolgd om schade aan het rijwiel met trapondersteuning en/of gevaarlijke situaties te voorkomen.



## Restrisico's

Benadrukt de aanwezigheid van gevaren die restrisico's veroorzaken waarop de gebruiker moet letten om persoonlijk letsel of materiële schade te voorkomen.

## 2. Waarschuwingen over gebruik en veiligheid

### Algemene veiligheidsregels

Ook als u al bekend bent met het gebruik van rĳwielen met trapondersteuning, moet u naast de algemene voorzorgsmaatregelen voor bij het besturen van een motorvoertuig, ook de instructies volgen die hier worden gegeven.

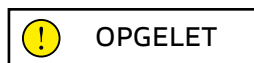
Het is belangrijk de nodige tijd te nemen om de basisprincipes van het gebruik van het product te leren om elk ernstig ongeval dat zich in de vroege stadia van gebruik kan voordoen, te voorkomen. Neem contact op met uw dealer voor ondersteuning inzake de correcte gebruikswĳze van het product of om verwezen te worden naar een geschikte opleidingsorganisatie.

De fabrikant wijst alle directe of indirecte aansprakelijkheid af voor een oneigenlijk gebruik van het product, de niet-naleving van de verkeersregels of de aanwijzingen van deze handleiding, ongevallen en geschillen veroorzaakt door de niet-naleving van de regelgeving en door illegale activiteiten.

Dit product moet worden gebruikt voor recreatieve doeleinden, mag niet door meer dan één persoon tegelijk worden gebruikt en mag niet worden gebruikt voor personenvervoer.

Wĳzig op geen enkele wĳze de gebruiksbestemming van het voertuig; dit product is niet geschikt voor het uitvoeren van stunts, wedstrijden, vervoer van voorwerpen, slepen van andere voertuigen of aanhangers.

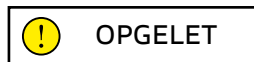
Het A-gewogen geluidsdrumniveau ter hoogte van het oor van de bestuurder is lager dan 70 dB(A).



### Gebruik van het rĳwiel met trapondersteuning

Elke gebruiker moet eerst de instructies en informatie in de handleiding hebben gelezen en begrepen.

In geval er tijdens de montage fabricagefouten worden vastgesteld, er sprake is van onduidelijke stappen of van moeilijkheden bij de montage of de afstelling, ga dan niet met het voertuig rĳden en neem contact op met uw dealer, of ga voor technische bijstand naar de website [www.platum.com/en/ducati-urban-e-mobility/](http://www.platum.com/en/ducati-urban-e-mobility/)



### Risico's verbonden aan het gebruik van rĳwielen met trapondersteuning

Ondanks de toepassing van de veiligheidsvoorzieningen moet u voor een veilig gebruik van het rĳwiel met trapondersteuning kennis nemen van alle ongevalpreventievoorschriften in deze handleiding.

Blijf altijd geconcentreerd tijdens het rĳden en onderschat de restrisico's die verbonden zijn aan het gebruik van het rĳwiel met trapondersteuning niet.



## OPGELET

### Verantwoordelijkheid

De bestuurder is verplicht het rijwiel met trapondersteuning met de grootste zorgvuldigheid en in volledige overeenstemming met de verkeersregels en alle fietsvoorschriften die gelden in het land van gebruik.

Het is belangrijk dat u er zich van bewust bent, wanneer u zich op een openbare plaats of weg bevindt, en ook wanneer u de aanwijzingen van deze handleiding strikt naleeft, dat u niet immuun bent voor letsel veroorzaakt door overtredingen of ongepaste acties jegens andere voertuigen, obstakels of

personen. Misbruik van het product of de niet-naleving van de aanwijzingen van deze handleiding kunnen ernstige schade veroorzaken.

De bestuurder is tevens verplicht het rijwiel met trapondersteuning schoon en in een perfecte staat van efficiëntie en onderhoud te houden, de veiligheidscontroles die binnen zijn bevoegdheid vallen nauwgezet uit te voeren en alle documentatie met betrekking tot onderhoud van het product te bewaren.

De bestuurder moet zorgvuldig de weersomstandigheden beoordelen die het gebruik van het rijwiel met trapondersteuning gevaarlijk kunnen maken.

Dit product is een voertuig, dus hoe sneller u rijdt, hoe langer de remweg. In dit verband is het raadzaam om uw snelheid te matigen en voldoende remafstand te houden in geval van slechte weersomstandigheden en/of druk verkeer.

Op natte, gladde, modderige of ijzige wegen neemt de remweg toe en neemt de grip aanzienlijk af, met het risico dat de wielen doorslippen en het evenwicht wordt verstoord in vergelijking met droge wegen.

Het is in dat geval dus noodzakelijk om het voertuig met grotere voorzichtigheid te besturen, om passende snelheden en veilige afstanden tot andere voertuigen of voetgangers aan te houden.

Let met name op wanneer u op onbekende wegen rijdt.

Voor uw veiligheid raden wij u aan geschikte beschermende uitrusting te dragen (helm, kniebeschermers en elleboogbeschermers) om uzelf te beschermen tegen vallen en verwondingen tijdens het rijden met het product. Als u het product uitleent, laat de bestuurder dan de veiligheidsvoorzieningen dragen en leg het gebruik van het voertuig uit. Om letsel te voorkomen, mag het product niet worden uitgeleend aan personen die niet op de hoogte zijn van de gebruikswijze.

Draag altijd schoenen voordat u het product gebruikt.

Het product is zo ontworpen dat een maximaal totaalgewicht (bestuurder en eventueel vervoerde lading) kan worden geladen dat niet hoger is dan de waarde die in het gegevensblad van het product wordt vermeld.

Vermijd in ieder geval het gebruik van het product in aanwezigheid van een totale belasting die groter is dan is voorgeschreven, aangezien het risico bestaat dat de integriteit van de structurele en elektronische onderdelen wordt aangetast.

Het rijwiel met trapondersteuning (EPAC), in overeenstemming met de bepalingen van de huidige referentienorm EN 15194, is een vervoermiddel dat wordt gebruikt voor het vervoer van slechts één persoon.

Het vervoer van een passagier is alleen toegestaan in het kader van de regelgeving die van kracht is in het land van circulatie met betrekking tot: minimumleeftijd van de bestuurder, maximumleeftijd van de vervoerde passagier, terbeschikkingstelling van wettelijk goedgekeurde en toegelaten personenvervoermiddelen.

Het is de verantwoordelijkheid van de gebruiker om ervoor te zorgen dat de uitrusting van het product voor het vervoer van de passagier wat betreft constructie, veiligheidssystemen en verankeringsystemen geschikt is en dat deze overeenkomstig het ontwerp van het rijwiel en binnen de gespecificeerde belastingsgrenzen (maximale belasting ondersteund door het product en door het meegeleverde bagagerek, indien aanwezig) op het rijwiel met trapondersteuning wordt geïnstalleerd en gemonteerd.

De gebruiker is tevens verantwoordelijk voor de levering en installatie van uitrustingen van het product die worden gebruikt voor het vervoer van voorwerpen en dieren (bijv. bagagerekken, bagagetassen, opbergmanden, enz.) in overeenstemming met de in het land van gebruik goedgekeurde en toegestane voorschriften en met de bepalingen van de structuur ervan en binnen de voorgeschreven grenzen voor belasting (maximale belasting ondersteund door het product en het meegeleverde bagagerek, indien aanwezig).



De installatie van accessoires en apparatuur op het product kan is niet alleen een factor die de prestaties en het gebruik ervan beïnvloedt, maar kan in geval van relatieve ongeschiktheid ook schade veroorzaken, waardoor de correcte werking en de veiligheidsvoorwaarden tijdens het gebruik in het gevaar komen.

Neem contact op met uw erkende dealer of gespecialiseerde operators voor informatie over de levering en installatie van geschikte en aangepaste apparatuur voor het product.

### **Waarschuwingen voor de gebruikers**

- Het rijwiel met trapondersteuning mag alleen worden gebruikt door volwassenen en ervaren kinderen.
- Gebruik geen alcohol of drugs voordat u het rijwiel met trapondersteuning gebruikt.
- Dit rijwielmodel met trapondersteuning is ontworpen en gebouwd voor gebruik buitenshuis, op de openbare weg of op fietspaden.
- Vraag niet meer van uw fiets dan waarvoor hij ontworpen is.
- Bestuur nooit het rijwiel met trapondersteuning met gedemonteerde onderdelen.
- Rijd met beide handen op het stuur.
- Vervang versleten en/of beschadigde onderdelen, controleer vóór gebruik of de beveiligingen goed werken.
- Houd kinderen uit de buurt van plastic delen (inclusief verpakkingsmateriaal) en kleine onderdelen die een verstikkingsgevaar vormen.
- Houd toezicht op kinderen om ervoor te zorgen dat ze niet met het product spelen.
- Verwijder eventuele scherpe randen die veroorzaakt worden door een oneigenlijk gebruik, breuk of beschadiging van het product.
- Besteed maximale aandacht wanneer u het product in de buurt van voetgangers

gebruikt: ga langzamer rijden en geef uw aanwezigheid aan om te voorkomen dat ze schrikken wanneer u hen van achteren inhaalt.

- Monteer het product correct.



## Gebruikswijze

Het rijwiel met trapondersteuning is een fiets met elektrische hulpmotor die alleen wordt geactiveerd wanneer de pedalen worden bediend.

Dit houdt in dat de motor geen vervanging vormt voor de spierarbeid van de benen, maar een hulpmiddel is om minder inspanning te moeten leveren door zichzelf te activeren in de modi voorzien door de werking van de elektrische en elektronische onderdelen die bij het product worden geleverd: accu, stuurbedieningen, sensoren en besturingselektronica (besturingseenheid).

In detail wordt de elektromotor aangedreven door een accu en bestuurd door een besturingseenheid die de levering van vermogen en de extra stuwkracht beheert die moet worden geleverd aan de spierarbeid afkomstig van het trappen van de bestuurder op basis van het lezen van waarden in realtime geleverd door een reeks sensoren, extern op het frame of in de onderdelen zelf geplaatst, en volgens de beheerparameters die door de gebruiker zijn ingevoerd via de bedieningselementen op het stuur (Display).

De elektromotor die bij het rijwiel met trapondersteuning wordt geleverd, wordt, in overeenstemming met de vereisten van de Europese richtlijn 2002/24/EG, niet alleen geactiveerd ter ondersteuning van de trapfunctie die door de gebruiker wordt geleverd, maar wordt ook gedeactiveerd bij het bereiken van een snelheid van 25 km/u.

Het rijwiel met trapondersteuning is ontworpen en gebouwd om buiten te gebruiken, op openbare wegen en fietspaden, op geasfalteerde oppervlakken en/of terrein dat geschikt is voor de specifieke technische en structurele kenmerken van het product.

Elke wijziging van de constructie kan het gedrag, de veiligheid en de stabiliteit van het rijwiel met trapondersteuning in gevaar brengen en kan leiden tot een ongeval.

Andere soorten gebruik of de uitbreiding van het gebruik buiten het beoogde gebruik, komen niet overeen met de bestemming die door de fabrikant is toegewezen en de fabrikant aanvaardt geen aansprakelijkheid voor daaruit voortvloeiende schade.

De accuduur van het rijwiel met trapondersteuning, en dus de geschatte af te leggen afstand in km, kan aanzienlijk variëren, afhankelijk van de specifieke gebruikswijze (totale belading, spierinspanning van de fietser, gekozen niveau van elektrische trapondersteuning, frequentie van starten/herstarten), de mechanische en elektrische staat van het product (bandenspanning en slijtage, efficiëntieniveau van de accu) en externe invloeden (hellingshoeken en wegdek, atmosferische omstandigheden).

Controleer vóór elk gebruik zorgvuldig de goede werking van de remmen en hun staat van slijtage, controleer de bandenspanning, de slijtage van de wielen en de laadtoestand van de accu.

Controleer regelmatig of de verschillende geschroefde elementen goed vastzitten. Moeren en alle andere zelfspannende bevestigingsmiddelen kunnen hun efficiëntie verliezen, daarom is het

noodzakelijk om deze onderdelen periodiek te controleren en vast te draaien.

Zoals geldt voor alle mechanische componenten, is ook dit product onderhevig aan slijtage en zware belasting. Verschillende materialen en componenten kunnen op verschillende wijze reageren op slijtage en stressvermoeidheid. Als de gebruiksduur van een onderdeel wordt overschreden, kan het plotseling breken, waardoor de gebruiker letsel kan oplopen. Alle vormen van barsten, krassen of verkleuringen op plekken die veel belast worden, geven aan dat de levensduur van het onderdeel is bereikt en dat het derhalve vervangen moet worden.



### **Toegestane snelheid**

De wettelijk toegestane maximumsnelheid is 25 km/u.

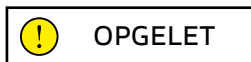
De besturingseenheid is geconfigureerd om geen wijzigingen toe te staan aan de maximumsnelheidsparameter.

Alle niet door de fabrikant toegestane werkzaamheden aan de besturingseenheid maken niet alleen de garantievoorzwaarden op het product ongeldig, maar sluiten de fabrikant ook uit van elke aansprakelijkheid voor schade aan personen en/of voorwerpen.



### **Gevaar voor letsel**

Houd een snelheid en gedrag aan die bij uw mogelijkheden passen en gebruik het rijwiel met trapondersteuning nooit hoger dan 25 km/u, aangezien dit ernstige letsel en verwondingen aan uzelf of aan andere mensen kan veroorzaken.



### **Gebruiksomgeving**

- De fiets met trapondersteuning kan buiten worden gebruikt bij afwezigheid van ongunstige weersomstandigheden (regen, hagel, sneeuw, harde wind, enz.).
- Maximaal toegestane temperatuur: +40°C
- Minimaal toegestane temperatuur: +0°C
- Maximaal toegestane luchtvochtigheid: 80%

De gebruiksomgeving moet een vlak, compact asfaltoppervlak hebben, vrij van oneffenheden, gaten of kuilen en vrij van obstakels en olievlekken.

Bovendien moet de plaats van gebruik verlicht zijn door de zon of door kunstlicht, zodat het juiste zicht op het pad en de bediening van het rijwiel met trapondersteuning (aanbevolen van 300 tot 500 lux) verzekerd is.

## Oneigenlijk gebruik en contra-indicaties

De hieronder beschreven handelingen, die uiteraard niet alle mogelijkheden van "misbruik" van de fiets met trapondersteuning kunnen dekken, moeten als absoluut verboden worden beschouwd.



### Het is absoluut verboden om:

- Het rijwiel met trapondersteuning voor andere doeleinden te gebruiken dan waarvoor het is gebouwd.
- Het rijwiel met trapondersteuning te gebruiken als uw gewicht hoger is dan het toegestane gewicht.
- Het rijwiel met trapondersteuning te gebruiken onder invloed van alcohol of drugs.
- Het rijwiel met trapondersteuning te gebruiken in gebieden met risico op brand, explosie of in omgevingen met een corrosieve en/of chemisch actieve atmosfeer.
- Het rijwiel met trapondersteuning te gebruiken in ongunstige weersomstandigheden (zware regen, hagel, sneeuw, harde wind, enz.).
- Het rijwiel met trapondersteuning te gebruiken in slecht verlichte omgevingen.
- Te passeren of te stoppen op oneffen en ruw terrein (oneffen wegdek, met gaten, kuilen, obstakels, enz.) om het risico van vallen en daaruit voortvloeiende schade aan de bestuurder en het product te voorkomen.
- De accu op te laden op in een te warme of onvoldoende geventileerde omgeving.
- De accu te bedekken tijdens het opladen.
- Te roken of open vuur te gebruiken in de buurt van het oplaadgebied.
- Eventueel onderhoud uit te voeren terwijl de accu is aangesloten.
- Uw ledematen of vingers tussen de bewegende delen van de fiets te steken.
- Het aanraken van de remmen direct na gebruik veroorzaakt oververhitting.
- Laat de elektrische en elektronische onderdelen van het rijwiel met trapondersteuning niet in contact komen met water of andere vloeistoffen.
- Wijzig of transformeer het product of de mechanische en elektronische onderdelen op geen enkele manier om het risico van structurele schade, aantasting van de doeltreffendheid en schade te voorkomen.

Als er eventuele fabricagefouten, abnormale geluiden of storingen worden vastgesteld, gebruik het voertuig dan niet en neem contact op met uw dealer, of ga naar de website [www.platum.com/en/ducati-urban-e-mobility/](http://www.platum.com/en/ducati-urban-e-mobility/)

### Beschermingen

Het is ten strengste verboden om de beveiligingen van de accu, ketting en andere geïnstalleerde onderdelen te wijzigen of te verwijderen, evenals de waarschuwings- en identificatieplaatjes.

### 3. Inhoud van de verpakking

- E-BIKE DUCATI MG-20 voorgemonteerd
- Zadel + Zadelpen + Achterreflector (afb.A)
- Voorspatbord (afb.B)
- Achterspatbord (afb. C)
- Oplaadbaar led-achterlicht (afb.D)
- USB-oplaadkabel voor batterij led-achterlicht
- Batterijlader (afb.E)
- Inbussleutel 4mm
- Sleutelset vergrendelen/ontgrendelen batterij (2 sleutels)



afb.A



afb.B



afb.C



afb.D



afb.E

## 4. Overzicht product



- |   |  |
|---|--|
| 1. Zadel  | 20. Voorband   |
| 2. Zadelpen                                     | 21. Voorwiel   |
| 3. Zadelpenklem                                 | 22. Remklauw voor (tegenoverliggende zijde)          |
| 4. Li-Ion-accu                                  | 23. Remschijf voor (tegenoverliggende zijde)         |
| 5. Achterspatbord                               | 24. Vork   |
| 6. Achterband                                   | 25. Led-voorlicht                                    |
| 7. Achterwiel                                   | 26. Vergrendeling/ontgrendelingshendel<br>stuurkolom |
| 8. Remklauw achter (tegenoverliggende zijde)    | 27. Stuurstang                                       |
| 9. Remschijf achter (tegenoverliggende zijde)   | 28. Stuurpen   |
| 10. Motor                                       | 29. Stuur  |
| 11. Cassette                                    | 30. Remhendel achterwiel (rechterkant)               |
| 12. Versnelling - achterderailleur              | 31. Versnelling - geïndexeerd commando               |
| 13. Standaard (andere kant)                     | 32. LCD-scherm                                       |
| 14. Ketting                                     | 33. Bel  |
| 15. Tandwiel                                    | 34. Remhendel voorwiel (linkerkant)                  |
| 16. Krank                                       | 35. Mechanisme voor openen/sluiten frame             |
| 17. Pedaal                                      | 36. Achterreflector                                  |
| 18. PAS - cadanssensor (tegenovergestelde kant) | 37. Oplaadbaar led-achterlicht                       |
| 19. Voorspatbord                                | 38. Serienummer frame                                |

## 5. Technische specificaties

### Algemene informatie

Wielen	20" - 6-spaaks velgen, Magnesium Pressure Casting
Vork	hard fork, Magnesium Pressure Casting
Remmen	mechanische schijfrem voor en achter - remhendels met cut-offsensor
Versnelling	mechanisch 6 versnellingen (1x6) - achterderailleur
Aandrijving	ketting - tandwiel 44T - cassette 6 tandwielen (14-16-18-21-24-28T)
Frame	opvouwbaar, Magnesium Pressure Casting
Maximale snelheid	25 km/u
Maximaal draagvermogen e-bike	100 kg

### Elektrisch systeem

Lampen	voorkant met leds
Display	LCD met assistentieniveaus, verlichting ON/OFF, kilometerteller met gekoppelde functies
Motor	36V, 250W, 45Nm, achter
Accu	Li-Ion 36V, 10.5Ah, 378Wh geïntegreerd in het frame en verwijderbaar
Acculader	Input: AC 100V-240V 2.5A (Max) - Output: DC 42V 2.0A (Max)
Oplaadtijd	4/5 uur

### Afmetingen en gewicht ( $\pm 5\%$ )

Gewicht accu	2,0 kg
Gewicht e-bike zonder accu	18,5 kg
Gewicht e-bike	20,5 kg
Afmetingen e-bike	1520 x 580 x 1070 mm
Afmetingen verpakking	830 x 420 x 665 mm

## 6. Montage

Haal het product voorzichtig uit de verpakking\* en verwijder de beschermende materialen, waarbij u ervoor zorgt dat u de bijbehorende esthetische onderdelen niet beschadigt en geen kabels en voorgemonteerde onderdelen forceert.

\*Het verwijderen uit de verpakking moet worden uitgevoerd door twee volwassenen om de integriteit van het product te waarborgen en het risico op letsel en/of beknelling te voorkomen.

Nadat het voorste deel van het chassis is uitgelijnd met het achterste deel door ze rond de pen van het overeenkomstige scharnier te draaien, trekt u de hendel in het openings-/sluitmechanisme van het chassis als volgt aan:

draai de hendel van het openings-/sluitmechanisme van het frame (A) in de richting van de voorkant van het frame, waarbij u erop let dat u de vergrendeling (B) van de hendel in zijn zitting (C) steekt en duw de hendel in, ervoor zorgend dat deze door vergrendeling vast komt te zitten.



Door de ontgrendelingsknop van het openings-/sluitmechanisme (D) in te drukken en deze in de richting van de achterkant van het frame te trekken en te draaien, wordt het frame opgevouwen.

## Plaatsing stuurkolom

Breng de stuurkolom omhoog in verticale stand terwijl u de vergrendelings-/ontgrendelingshendel (E) omlaag houdt en draai deze vervolgens vast door de vergrendelings-/ontgrendelingshendel naar de stuurkolom toe te draaien.



Door op de veiligheidsknop op de vergrendelings-/ontgrendelingshendel van de stuurkolom (F) te drukken, kunt u deze ontgrendelen en inklappen door de hendel omlaag te draaien.

## Montage stuur

Plaats de stuurbevestiging vooraan en lijn hem uit met het frame en het voorwiel door de betreffende klemmschroeven op de stuurkolom te draaien (afb. A).



afb.A

Draai met de 4 mm zeskantige inbussleutel de vier schroeven waarmee de afdekplaat aan het uiteinde van de stang vastzit (afb. B) geleidelijk en afwisselend los door ze tegen de klok in te draaien totdat ze kunnen worden verwijderd (afb. C).

Plaats het stuur in het midden in de juiste behuizing op de stuurpen (afb. D) en plaats de eerder verwijderde voorplaat van de stuurpen op zijn oorspronkelijke plaats door de bevestigingsschroeven iets in te brengen en vast te schroeven (rechtsom draaien) en afwisselend in te draaien om de gewenste positie van het stuur in te stellen.

Voltooi de installatie van het stuur door de schroeven in de aangegeven volgorde vast te draaien tot ze volledig vastzitten (afb. E).



afb.B



afb.C



afb.D



afb.E

## Installatie en plaatsing zadelpen

Steek de zadelpen in de stuurbuis van het frame. Plaats het zadel in een passende positie en zet de zadelpen vervolgens goed vast door middel van de kleminrichting (zadelpenklem) op het frame.

Draai het snelspanmechanisme (quick-release zadelpenkraag) los waarmee de zadelpen is bevestigd aan de zadelbuis van het frame, zodat deze kan worden uitgetrokken en/of geplaatst totdat de gewenste zadelhoogte is ingesteld, waarbij erop moet worden gelet dat deze is uitgelijnd met de middellijn van de horizontale buis van het fietsframe.

Maak de bewerking af door de kraag van de zadelpen vast te draaien totdat de zadelpen vastzit aan de zitbuis van het frame.



### Minimale limiet voor het insteken van de zadelpen

Het is ten strengste verboden om de zadelpen uit de stuurbuis van het frame te trekken voorbij de minimale insteekhoogte die op het frame is aangegeven, om het risico te vermijden dat structurele schade wordt toegebracht aan de fiets (frame en/of zadelpen) en dat ernstig letsel wordt opgelopen.

De correcte en veilige plaatsing van de zadelpen in de stuurbuis van het frame wordt bevestigd door het uitvoeren van een plaatsingsprocedure die de zichtbaarheid van de betreffende markering en/of grafische aanduiding van de minimale inbrenglimiet uitsluit.

## Installatie achterlicht

Het meegeleverde led-achterlicht, met geïntegreerde batterij die kan worden opgeladen met een USB-oplaadkabel, kan op de zadelpen worden geïnstalleerd en handmatig worden in- en/of uitgeschakeld met de knop op het licht zelf.

## Installatie spatborden (optioneel)



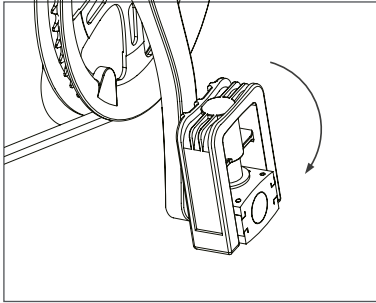
Voorspatbord



Achterspatbord

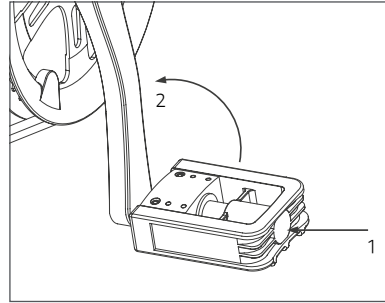
## Pedalen

Openen pedaal



Pak het pedaallichaam vast en draai het naar buiten.

Sluiten pedaal



Druk het pedaal naar de crank toe en draai hem naar binnen.

## Verwijderen pedalen

Verwijder het pedaal aan de rechterkant van de fiets met een 15 mm steeksleutel door linksom te draaien (draai in de richting van het achterwiel).

Verwijder het pedaal aan de linkerkant van de fiets met een 15 mm steeksleutel door rechtsom te draaien (draai in de richting van het achterwiel).

## Installatie pedalen

Zoek het rechterpedaal (gemarkeerd met de letter R) en het linkerpedaal (gemarkeerd met de letter L).

Installeer het rechterpedaal (R) door de schroefdraadpen van het pedaal in de betreffende crank aan de rechterkant van het rijwiel te steken en het rechtsom (in de richting van het voorwiel draaien) vast te draaien met een steeksleutel van 15 mm.

Installeer linkerpedaal (L) door de schroefdraadpen van het pedaal in de betreffende crank aan de linkerkant van het rijwiel te steken en het linksom (in de richting van het voorwiel draaien) vast te draaien met een steeksleutel van 15 mm.



**OPGELET**

## Sleutelset accu

Het product is exclusief uitgerust met 2 sleutels die specifiek geassocieerd zijn met het sleutelslot op de batterij om het vergrendelen en/of ontgrendelen vanaf het frame mogelijk te maken.

Bewaar de sleutels op een veilige plek en zorg ervoor dat ze niet zoekraken.

Gebruik het product niet met de sleutel in het frameslot om het risico op diefstal of schade door stoten te voorkomen.



## OPGELET

Controleer regelmatig of de verschillende boutverbindingen, bevestigingsschroeven, snelspanners en doorvoerassen goed vastzitten en controleer in het algemeen of alle onderdelen in orde zijn.

Moeren en alle andere zelfspannende bevestigingsmiddelen kunnen hun efficiëntie verliezen, daarom is het noodzakelijk om deze onderdelen periodiek te controleren en vast te draaien.

De waarden van de aanbevolen aanhaalmomenten voor het vastzetten van de specifieke onderdelen op het product zijn te vinden op de relevante onderdelen.

Het juiste aanhaalmoment (schroeven, bouten, moeren) is cruciaal voor de veiligheid. Als er onvoldoende kracht wordt uitgeoefend, is de afdichting niet gegarandeerd. Overmatige kracht kan de schroefdraad beschadigen of ervoor zorgen dat de bevestiger uitrekt, vervormt of breekt. In beide gevallen kan een onjuist aanhaalmoment leiden tot verlies van controle en vallen.

Controleer, waar aangegeven, of elke schroef is aangedraaid met het opgegeven aanhaalmoment.

Controleer na het eerste gebruik en daarna regelmatig of alle schroeven goed vastzitten.

De verificatie van het correct vastzetten van de onderdelen door middel van hefboomsystemen (snelspanssystemen), afgesteld door in te werken op de spanmoer en niet op de vergrendelingshefboom van het mechanisme, bij afwezigheid van technisch nauwkeurige indicaties van de relatieve waarden, kan worden gedaan door te testen of het betreffende onderdeel dat wordt vastgeklemd niet beweeglijk en/of instabiel is als het wordt blootgesteld aan een krachtige poging om het te verwijderen en/of uit te trekken, en door te controleren of de spanhendel voldoende weerstand biedt tijdens de sluitfase (zodat deze een afdruk achterlaat op de handpalm waarmee de hendel wordt vastgeklemd, de zogenaamde "afdruk op de handpalm") en na het sluiten een aanzienlijke kracht moet worden uitgeoefend om het relatieve openen mogelijk te maken.

De mogelijkheid om de vergrendelingshendel van het mechanisme te bewegen door minimale handmatige druk uit te oefenen, duidt op onvoldoende vergrendeling, waardoor de stelmoer verder moet worden vastgedraaid.



## OPGELET

### Negatieve verificatie

Als er tijdens de montage en ingebruikname van het product fabrieksfouten, onduidelijke stappen of montageproblemen worden geconstateerd, mag u niet op de fiets rijden en contact opnemen met de serviceafdeling van uw erkende dealer of ga naar [www.platum.store/en/assistance](http://www.platum.store/en/assistance) voor de juiste assistentie.

## 7. Accu

Het rijwiel met trapondersteuning start en voedt zijn elektrische en elektronische functies via de lithium-ion accu die bij het product is geleverd, als deze op de juiste wijze is opgeladen en geïnstalleerd.



Aansluiting voor oplaadstekker

Slot vergrendelen/ontgrendelen

### Verwijderen en plaatsen accu

De accu kan van het fietsframe worden verwijderd om diefstal te voorkomen, om op te laden of om optimaal te bewaren.

Steek de meegeleverde sleutel in het slot op de batterij en verwijder de batterij uit de behuizing door deze met behulp van het meegeleverde handvat omhoog te trekken nadat u de sleutel rechtsom in de ontgrendelpositie heeft gedraaid.



Plaats de batterij in de in het frame van de fiets geïntegreerde zitting en zet deze vast door de sleutel linksom in de vergrendelde stand te draaien. Controleer of de accu op correcte wijze is geïnstalleerd en vergrendeld door te proberen deze te verwijderen en/of door ervoor te zorgen dat deze stevig aan het chassis is verankerd en niet verplaatsbaar is.



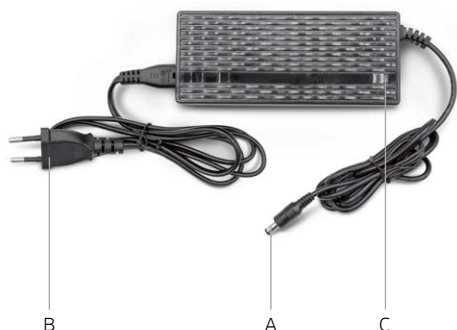
## OPGELET

Voordat u uw rijwiel met trapondersteuning voor de eerste keer gebruikt, is het nodig om de accu volledig opladen met de bijgeleverde acculader. De gemiddelde tijd om de accu volledig op te laden, die varieert afhankelijk van het resterende oplaadniveau van de accu, kan worden geschat op maximaal 4/5 uur.

Het is raadzaam om de accu na elk gebruik van het rijwiel met trapondersteuning op te laden met de betreffende acculader.

### Accu opladen

Gebruik alleen de bijgeleverde acculader of een goedgekeurd model met dezelfde technische specificaties en zorg ervoor dat u de relatieve methoden en voorzorgsmaatregelen voor gebruik die op de lader of in de handleiding staan vermeld in acht neemt.



- A. Laadconnector
- B. Stekker netsnoer
- C. LED-lampje laadstatus accu

Zorg ervoor dat de acculader, de laadstekker, de connector van de acculader en de stekker van het netsnoer droog zijn.

Steek de oplaadconnector van de oplader in de aansluiting voor de oplaadconnector van de accu en sluit vervolgens de stekker van het netsnoer aan op het stopcontact (220V-240V ~ 50/60Hz).

Tijdens de oplaadcyclus van de accu brandt er een rood LED-lampje op de lader. Wanneer de oplaadcyclus van de accu is voltooid, gaat er een groen LED-lampje branden.

Koppel de oplaadstekker van de oplader los van de aansluiting voor de oplaadstekker van de accu en trek de stekker van het netsnoer uit het stopcontact om het opladen te voltooien.



## OPGELET

Het gebruik van een acculader dan de meegeleverde acculader die niet geschikt of niet goedgekeurd is om de accu van het product op te laden, kan schade aan het product veroorzaken of andere potentiële risico's met zich meebrengen.

Laad het product nooit op zonder toezicht.

Schakel het product niet in en rij er niet mee tijdens het opladen.

Buiten bereik van kinderen houden tijdens het opladen.

Niets op de acculader plaatsen tijdens gebruik, geen vloeistof of metaal laten doordringen in de acculader.

De acculader warmt op tijdens de oplaadcyclus van de accu.

Laad het product niet onmiddellijk na gebruik op. Laat het product afkoelen voordat u het oplaadt.

Het product mag niet gedurende lange perioden worden opgeladen. Overladen vermindert de levensduur van de accu en veroorzaakt eventuele andere risico's.

Het is raadzaam om het product niet volledig te laten ontladen om te voorkomen dat de accu beschadigd raakt, waardoor de efficiëntie afneemt. Schade veroorzaakt door de step lange tijd niet op te laden is onomkeerbaar en wordt niet gedekt door de beperkte garantie. Als er eenmaal schade is ontstaan, kan de accu niet meer opgeladen worden (het is verboden om de accu te laten demonteren door niet-gekwalificeerd personeel: dit zou elektrische schokken, kortsluitingen of zelfs ongevallen van aanzienlijke omvang tot gevolg kunnen hebben). Laad de accu regelmatig op (ten minste om de 3/4 weken), ook als u uw elektrische fiets langere tijd niet gebruikt.

Laad de accu op in een droge omgeving, uit de buurt van ontvlambare materialen (bijv. materialen die vlam kunnen vatten), bij voorkeur bij een binnentemperatuur van 15-25°C, maar nooit onder 0°C of boven + 45°C.

Verricht regelmatig een visuele controle van de acculader en de kabels van de acculader.

Niet de acculader gebruiken als er duidelijk schade zichtbaar is.

### **Autonomie en duur van de accu**

De accuduur van het rijwiel met trapondersteuning, en dus de geschatte af te leggen afstand in km, kan aanzienlijk variëren, afhankelijk van de specifieke gebruikswijze (totale belading, spierinspanning van de fietser, gekozen niveau van elektrische trapondersteuning, frequentie van starten/herstarten), de mechanische en elektrische staat van het product (bandenspanning en slijtage, efficiëntieniveau van de accu) en externe invloeden (hellingshoeken en wegdek, atmosferische omstandigheden).

Na verloop van tijd nemen het vermogen en prestaties van de accu af als gevolg van de fysiologische elektrochemische achteruitgang van de cellen waaruit de accu bestaat.

Het is onmogelijk de precieze levensduur te voorspellen, aangezien deze voornamelijk afhangt van het soort gebruik en de belasting waaraan het apparaat wordt blootgesteld. Om de levensduur van de accu te bevorderen, moet deze op een droge plaats worden bewaard, beschermd tegen direct zonlicht en bij voorkeur bij een binnentemperatuur van 15-25°C, maar nooit onder 0°C of boven +45°C. De accu kan het best bij kamertemperatuur worden opgeladen en het beter om overladen of volledig ontladen tijdens het gebruik te voorkomen. Laad de accu idealiter regelmatig op, ook als u het rijkwiel met trapondersteuning gedurende langere tijd niet wordt gebruikt (ten minste om de 3 tot 4 weken). Over het algemeen moet er rekening mee worden gehouden dat de kou het vermogen van de accu vermindert. In de winter is het raadzaam om de accu op te laden en op te slaan bij kamertemperatuur en om de accu slechts kort voor gebruik in het rijkwiel met trapondersteuning te plaatsen.



### Waarschuwingen inzake de accu

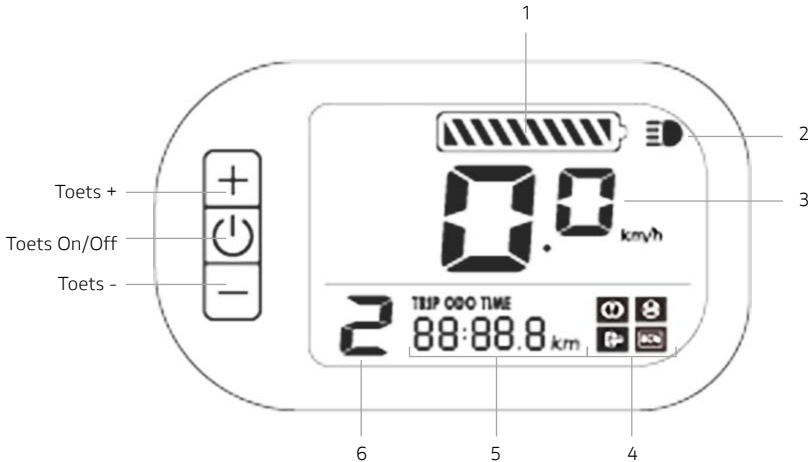
De accu bestaat uit lithiumioncellen en chemische elementen die gevaarlijk zijn voor de gezondheid en het milieu.

- Gebruik het product niet als er geuren, stoffen of overmatige warmte wordt afgegeven.
- Gooi het product of de accu niet weg met het huisvuil.
- De eindgebruiker is er verantwoordelijk voor dat de elektrische en elektronische apparatuur en de accu's in overeenstemming met alle geldende normen wordt verwijderd.
- Vermijd om gebruikte, defecte en/of niet-originele accu's van andere modellen of merken te gebruiken.
- Laat de accu niet in de buurt van vuur of warmtebronnen. Risico op brand en explosie.
- De accu mag niet geopend of gedemonteerd worden en vermijd ertegen te stoten, hem te laten vallen, te doorboren of er voorwerpen op te bevestigen.
- Eventueel door de accu afgegeven stoffen mogen niet worden aangeraakt omdat ze gevaarlijk zijn.
- Voorkom dat kinderen of dieren de accu aanraken.
- Laat de accu niet overladen en vermijd kortsluitingen. Risico op brand en explosie.
- Laat de accu nooit onbeheerd achter tijdens het opladen. Brandgevaar! Verbind de oplaadaansluiting nooit met metalen voorwerpen.
- De accu mag niet in water worden ondergedompeld of aan water, regen of andere vloeistoffen worden blootgesteld.
- Stel de accu niet bloot aan direct zonlicht, overmatige hitte of kou (laat het product of de accu, bijvoorbeeld, niet achter in een auto die langdurig wordt blootgesteld aan direct zonlicht), aan omgevingen met explosieve gassen of vuur.
- Vervoer en bewaar de accu niet samen met metalen voorwerpen zoals haarspelden, halskettingen, enz. Het contact tussen metalen voorwerpen en de accu kan kortsluitingen veroorzaken en dientengevolge persoonlijk letsel of de dood.

## 8. Display

De fiets met trapondersteuning is uitgerust met een bedieningsapparaat op het stuur, een LCD-scherm, gevoed door de batterij die bij het product wordt geleverd, waarmee gegevens kunnen worden gecontroleerd en alle elektrische en elektronische functies van het product volledig kunnen worden beheerd.

### Overzicht van bedieningsorganen en symbolen



1. Indicator resterend laadniveau accu
2. Waarschuwinglampje voor activering led-voorlicht
3. Digitale snelheidsmeter: onmiddellijke snelheidsaanduiding waargenomen tijdens gebruik
4. Systeemindicatoren
5. Weergave van gebruiksgegevens (TRIP - ODO - TIME)
6. Indicator voor geselecteerde trapondersteuningsniveau

## Omschrijving van de functies

In-/uitschakelen:

druk op de On/Off toets om het LCD-scherm aan of uit te zetten en het systeem in of uit te schakelen.

Het trapondersteuningsniveau selecteren:

druk kort op de + of - toets om het niveau van de trapondersteuning door de motor te verhogen of te verlagen.

De selecteerbare trapondersteuningsniveaus liggen tussen de waarden 1 en 3. Door niveau 1 te selecteren wordt de modus voor minimale elektrische trapondersteuning door de motor ingesteld.

Door niveau 3 te selecteren wordt de modus voor maximale elektrische trapondersteuning door de motor ingesteld.

Als u op de toets - drukt totdat het niveau 0 is geselecteerd, wordt de elektrische trapondersteuning niet geactiveerd.

Het voorlicht in-/uitschakelen:

druk minstens 3 seconden op de toets + om het voorlicht in of uit te schakelen.

Weergave van gebruiksgegevens (TRIP - ODO - TIME):

druk kort op de toets On/Off om achtereenvolgens de beschikbare specifieke gegevens over het gebruik van de elektrische fiets te selecteren en weer te geven:

- TRIP = weergave van gedeeltelijke afgelegde afstand
- ODO = weergave van totale afgelegde afstand
- TIME = weergave gegeven gebruiksduur

Indicator voor het resterende laadniveau van de batterij:

het laadniveau van de batterij wordt op het scherm weergegeven door een aantal segmenten tussen 0 en 10.

De aanwezigheid van 10 segmenten is een indicatie van het maximale laadpercentage van de accu dat op dat moment wordt gedetecteerd.

De vermindering van het aantal aanwezige segmenten is een indicatie van het afnemende niveau van de beschikbare acculading en de daaruit voortvloeiende autonomie.

De afzonderlijke segmenten zijn indicatief voor het specifieke bereik van de op dat moment gedetecteerde acculading en geven niet noodzakelijk een proportioneel gegeven voor de resterende autonomie weer.

De indicator van de accu kan fluctueren in het laadniveau, afhankelijk van het gebruik van het rijwiel met trapondersteuning. Als u bijvoorbeeld een helling opgaat, kan het weergegeven niveau snel dalen omdat er een veel hoger accuverbruik is.

Systeeminformatoren:

zie Hoofdstuk 12 van de Handleiding voor informatie.

## 9. Inbedrijfstelling

'Voordat u het rijwiel met trapondersteuning gebruikt, is het, naast de controle van de ladingstoestand en de correcte installatie van de accu, altijd goed om elk onderdeel zorgvuldig te controleren en de nodige afstellingen aan de relevante mechanische onderdelen uit te voeren. U kunt dit zelf doen of laten doen door gespecialiseerde vakmensen, zie: afstellen en aanspannen van zadel en zadelpen, afstellen en aanspannen van stuur en stuurbevestiging, afstellen van de remmen, afstellen van de versnelling, smeren van de ketting en de tandwielen, controleren van de wielen en de bandenspanning en een algemene controle van de bevestiging van de bevestigingsbouten, snelspanners en steekassen en van de staat van alle onderdelen.

### Zadel

Om het beste comfort bij het gebruik van het product te garanderen, een correcte trapbeweging mogelijk te maken en veiligheidsproblemen te vermijden, is de positie op de fiets heel belangrijk.

Daarom is het belangrijk dat het zadel en de zadelpen zo worden geplaatst en ingesteld dat dit passend is bij de fysionomie van de gebruiker.

Om de hoogte van het zadel af te stellen moet de klem waarmee de zadelpen in het frame is bevestigd worden losgemaakt en worden verhoogd of verlaagd afhankelijk van de behoeften. Let er hierbij op dat de klem niet verder wordt uitgetrokken dan de op de grens die erop is aangegeven om het risico van eventuele breuken van het frame te voorkomen. Zodra u de gewenste positie heeft bepaald met inachtneming van de voorzorgsmaatregelen met voor uittrekken van de zadelpen, bevestigt u deze door de klem te draaien totdat deze goed vastzit om te voorkomen dat de zadelpen beweegt en/of instabiel wordt.

Het is over het algemeen raadzaam de hoogte van het zadel aan te passen door te controleren of uw been bijna gestrekt is wanneer u uw voet op het laatste draaipunt van het pedaal plaatst.

Om de verhoging van het zadel aan te passen, moet het betreffende bevestigingssysteem in de zadelpenbeugel losgemaakt worden, zodat de gewenste positie ingesteld kan worden, en vervolgens moet het bevestigingssysteem weer goed vastgemaakt worden om speling en beweging te voorkomen.

### Stuur

Om de positie en de hoek van het stuur af te stellen, maakt u het klemsysteem van de stuurbevestiging los, draait u aan het stuur totdat de gewenste positie is behaald en zet u het vast door het klemsysteem vast te draaien zodat het niet meer kan bewegen.

### Remmen

Het op het product geïnstalleerde remsysteem omvat mechanische schijfremmen die kunnen worden bediend op het voorwiel en het achterwiel via de overeenkomstige hendels op het stuur.

De remhendel aan de rechterkant van het stuur bedient de achterrem, zodat het achterwiel tot stilstand kan komen. De remhendel aan de linkerkant van het stuur bedient de voorrem, zodat het voorwiel tot stilstand kan komen.

De voor- en achterremhendels moeten zodanig worden geplaatst en georiënteerd dat de ergonomie wordt geoptimaliseerd door het bevorderen van een natuurlijke houding van

de hand en van de vingers die worden gebruikt om ze te bedienen, waarbij de kracht en timing die nodig zijn om het remmen te activeren tot een minimum wordt beperken en de mogelijkheid van een goede modulatie ervan wordt behouden.

De remhendels die op het product zijn geïnstalleerd, zijn afzonderlijk uitgerust met een apparaat (cut-off-sensor) waarmee, wanneer de remhendel waarop deze is aangesloten, wordt bediend, de aandrijfkracht van de motor onmiddellijk elektronisch wordt uitgeschakeld.

Controleer de werking van de remmen met een remtest bij lage snelheid (max 6km/u) op een terrein zonder obstakels.

Door de progressieve slijtage van de remblokken die op de corresponderende remklauwen zijn geïnstalleerd, waardoor hun dikte afneemt, zullen de overeenkomstige remhendels een grotere slag moeten maken om dezelfde remkracht uit te oefenen. Om deze slijtage te compenseren is het noodzakelijk de ringmoer te bedienen die achter de overeenkomstige hendel voor de afstelling van de remkabel zit, om de optimale remomstandigheden te herstellen. In het geval van overmatige slijtage van de remblokken is het noodzakelijk deze te vervangen.

### **Versnelling en aandrijving**

Het schakelsysteem met kabels dat bij het product is geleverd is geïndexeerd en maakt het mogelijk de overbrengingsverhouding en de metrische ontwikkeling van de pedaalslag te wijzigen door in te werken op het bedieningsorgaan op het stuur, waarbij de zijwaartse beweging van de ketting op het betreffende tandwiel van de cassette op het achterwiel wordt bepaald door middel van de betreffende derailleur.

Controleer de goede werking van de versnelling en de afstelling daarvan en controleer tevens of de ketting en de tandwielen van de transmissie schoon en goed gesmeerd zijn.

### **Wielen en banden**

Controleer de juiste centrering, de correcte installatie en het aandraaimoment van de wielen.

Controleer de aanwezigheid en de correcte installatie van reflectoren.

Controleer de staat en de slijtage van de banden: er mogen geen sneden, scheuren, vreemde voorwerpen, abnormale zwellingen, zichtbare plooiën of andere beschadigingen zijn.

Controleer de bandenspanning door middel van de betreffende minimum- en maximumwaarden die zijn weergegeven op de zijkant van de banden (de juiste drukwaarde is afhankelijk van het vervoerde gewicht, de weersomstandigheden en de toestand van de weg).

Goed opgepompte banden verbeteren niet alleen de rotatie van de wielen, maar verminderen ook het risico op lekken en slijtage.

## 10. Opslag, onderhoud en reiniging

Om de veiligheid en de functionaliteit van het product in de loop van de tijd te kunnen garanderen, moet het regelmatig worden gecontroleerd en onderhouden.

Sommige controle- en onderhoudswerkzaamheden kunnen rechtstreeks worden uitgevoerd door de gebruiker of door iedereen met mechanische basisvaardigheden, handvaardigheid en geschikt gereedschap.

Andere handelingen vereisen de deskundigheid en het specifieke gereedschap van een gekwalificeerde operator.

De dealer kan alle informatie verstrekken betreffende de controlehandelingen die rechtstreeks door de gebruiker kunnen worden uitgevoerd en kan advies geven over welke reguliere onderhoudsbeurten periodiek moeten worden uitgevoerd, afgestemd op de intensiteit en omstandigheden waarin u het product gebruikt.

Alle onderhoudshandelingen moeten worden uitgevoerd met losgekoppelde accu, waarbij u ervoor zorgt dat de fiets op het standaard rust.

De verschillende onderdelen van het product zijn onderhevig aan verschillende vormen van slijtage als gevolg van het gebruik.

Het is raadzaam om in het bijzonder de volgende onderdelen regelmatig te inspecteren en te onderhouden: banden, wielen, remmen, versnelling, ketting en frame.

De **banden** die op het product zijn geïnstalleerd zijn onderhevig aan fysiologische slijtage van het loopvlak. Dit kan worden geaccentueerd door bepaalde gebruikspatronen en omgevingen. Ze zijn onderhevig aan natuurlijke verharding van de rubbersamenstelling in de loop van de tijd.

Controleer voortdurend de juiste spanning van de binnenbanden die in de banden zijn geïnstalleerd om het risico op een lekke band te verminderen, het slijtageproces te beperken en een veiliger en efficiënter gebruik van het product te waarborgen.

Inspecteer de banden regelmatig op slijtage en veroudering/achteruitgang en vervang ze zo nodig door banden met dezelfde eigenschappen.

De integriteit van de **wielen** die bij het product zijn geleverd moet voortdurend worden gecontroleerd om zeker te zijn dat er geen sprake is van vervormingen, deuken, barsten en/of andere tekenen van corrosie en schade die vervanging om veiligheidsredenen noodzakelijk zouden maken.

Om ervoor te zorgen dat de **remmen** goed blijven werken, moet niet alleen regelmatig de staat van slijtage en integriteit van de schijven en remklauwen worden gecontroleerd, maar moeten ook periodiek de remblokken op de betreffende remklauwen worden vervangen wanneer deze een dikte van minstens 1 mm hebben bereikt. Ook moet periodiek de staat van slijtage en scheuren van de staalkabels in de omhulsels van het remsysteem worden gecontroleerd en moeten deze worden vervangen om het relatieve risico op breuken te voorkomen.

De goede werking van de aandrijving van het rijwiel met trapondersteuning wordt gewaarborgd door goed onderhoud en correcte afstelling van de betreffende onderdelen.

Het systeem met **versnellingskabels** dat bij het product is geleverd wordt veel belast tijdens gebruik en werkt als gevolg van mechanische spanning. Daarom kan het gemakkelijk de juiste afstelling verliezen; het behoud en/of het herstel van de juiste bedrijfsomstandigheden van de geïndexeerde achterderailleur wordt gegarandeerd door een adequate afstelling van de

derailleur (eindslagschroeven) en het afstellen van de kabel van de achterderailleur.

De **ketting** en de betreffende tandwieloverbrenging zijn onderhevig aan slijtage door gebruik en moeten, om hun integriteit en een goede werking wat betreft soepelheid en geruisloosheid te garanderen, regelmatig worden gereinigd en gesmeerd met specifieke producten (druppels of spray, droog of nat), die geschikt zijn voor het seizoen en de manier waarop het product wordt gebruikt. Ze moeten tevens periodiek worden vervangen.

Voer enkel smeermiddelen uit nadat de betrokken onderdelen voldoende zijn gereinigd en ontvet, waarbij u ervoor zorgt dat, vooral bij gebruik van oliehoudende smeermiddelen, overtollig smeermiddel wordt verwijderd.

Het **frame** van het product moet regelmatig worden geïnspecteerd om de aanwezigheid van symptomen van scheurvorming en/of zogenaamde "materiaalmoetheid" uit te sluiten en tijdig maatregelen te kunnen nemen om het risico van beschadiging en/of breuk te beperken en/of uit te sluiten.

Het is raadzaam elk bevestigingsonderdeel van het product zorgvuldig te controleren en preventief en periodiek een algemene controle uit te voeren om na te gaan of de zelfborgende moeren en bevestigingsschroeven, die door gebruik en na verloop van tijd hun efficiëntie kunnen verliezen, goed zijn aangedraaid.



Na elk regulier onderhoud is het verplicht om de perfecte werking van alle bedieningsorganen te controleren.

### **Opmerkingen betreffende het onderhoud**

Alle onderhoudswerkzaamheden moeten worden uitgevoerd met losgekoppelde accu.

Tijdens elke onderhoudsfase moeten de operators beschikken over de nodige middelen om ongevallen te voorkomen. Het gereedschap dat wordt gebruikt voor het onderhoud moet geschikt en van goede kwaliteit zijn.

Gebruik geen benzine of ontvlambare oplosmiddelen als reinigingsmiddel, maar gebruik altijd niet-ontvlambare en niet-giftige oplosmiddelen. Beperk het gebruik van perslucht zoveel mogelijk en bescherm uzelf met een veiligheidsbril met zijkleppen.

Gebruik nooit open vuur als verlichting bij het uitvoeren van controles of onderhoud.

Controleer na alle onderhouds- of afstelwerkzaamheden of er geen gereedschap of vreemde voorwerpen tussen de bewegende delen van het rijwiel met trapondersteuning zijn achtergebleven.

Deze handleiding bevat geen uitvoerige informatie over demontage en buitengewoon onderhoud, aangezien deze werkzaamheden altijd uitsluitend door het personeel van de klantenservice van de geautoriseerde dealer mag worden uitgevoerd.

De klantenservice kan u alle informatie en antwoorden geven op al uw vragen betreffende het onderhoud en de verzorging van uw rijwiel met trapondersteuning.



## OPGELET

### Reiniging

De reiniging van het rijwiel met trapondersteuning is niet alleen een kwestie van fatsoen, maar stelt u ook in staat eventuele defecten aan het rijwiel onmiddellijk op te sporen.

Verwijder de accu voordat u het product ast en gebruik bij voorkeur een spons en/of een zachte doek en water, eventueel met toevoeging van een specifiek neutraal reinigingsmiddel, waarbij u zeer voorzichtig bent bij het hanteren van de elektronische onderdelen.

Het is absoluut verboden waterstralen onder druk te richten op elektrische onderdelen, de motor, het display en de accu. Na het wassen is het belangrijk alle gewassen onderdelen, evenals het chassis en de remoppervlakken, met een tweede zachte doek af te drogen en/of volledig te drogen met perslucht onder lage druk. Controleer vervolgens of er geen restvocht achterblijft op de elektrische onderdelen.

Vlekken op het frame van het product kunnen verwijderd worden met een vochtige doek. Breng op hardnekkige vlekken milde zeep aan, gebruik een borsteltje en reinig vervolgens met een vochtige doek.

Gebruik voor de reiniging van het product geen alcohol, benzine, kerosine of andere corrosieve en vluchtige chemische oplosmiddelen om ernstige beschadiging te voorkomen.



## GEVAAR

### **Alle reinigingshandelingen van het rijwiel met trapondersteuning moeten worden uitgevoerd met verwijderde accu.**

Het binnendringen van water in de accu kan leiden tot beschadiging van de interne circuits, brand- en explosiegevaar. Als u twijfelt of er water in de accu is binnengedrongen, staak dan onmiddellijk het gebruik van de accu en laat hem controleren door de technische servicedienst of de dealer.

### Bewaring en opslag

Indien het rijwiel met trapondersteuning voor langere perioden van inactiviteit moet worden opgeslagen en bewaard, moet dit gebeuren in een gesloten omgeving, op een droge, koele en mogelijk geventileerde plaats, waarbij de volgende handelingen moeten worden uitgevoerd:

- Voer een algemene reiniging uit van het rijwiel met trapondersteuning.
- Verwijder de accu, die bij het rijwiel met trapondersteuning is meegeleverd, uit de behuizing en sla deze, na deactivering met de betreffende sleutel of schakelaar (indien aanwezig), op een droge plaats op, uit de buurt van brandbare materialen (bijv. materialen die vlam kunnen vatten), bij voorkeur bij een binnentemperatuur van 15--25°C, en nooit onder 0°C of boven + 45°C. Voer periodieke oplaadcycli uit om te voorkomen dat het spanningsniveau van de accu te sterk daalt, waardoor het risico van beschadiging en verlies van efficiëntie ontstaat.
- Bescherm elektrische contacten die worden blootgesteld aan antioxidantproducten.
- Smeer alle oppervlakken in die niet beschermd zijn door verf of anticorrosiebehandelingen.



**OPGELET**

Bewaar of sla het product niet voor een langere periode buitenshuis of in een voertuig op. Sterk zonlicht, te hoge en te lage temperaturen versnellen de veroudering van de handen en beïnvloeden de levensduur van zowel het product als de accu. Stel de step niet bloot aan regen of water, dompel hem niet onder in water en vermijd hem met water te wassen.

### **Opheffen**

Vanwege het gewicht van het rijwiel met trapondersteuning moet deze door twee volwassenen worden opgetild. Wees hierbij erg voorzichtig om persoonlijk letsel (verplettering en ongevallen) en materiële schade (schokken en stoten) te voorkomen.



**GEVAAR**

### **Transport**

Om het rijwiel met trapondersteuning veilig te kunnen vervoeren, zowel binnen het passagiersruimte van het vervoermiddel als daarbuiten (bijv. fietsendragers), moet u de accu en de daarop geïnstalleerde accessoires verwijderen en moet u het product verankeren met behulp van geschikt bevestigingsmateriaal (riemen of kabels) en bevestigingsmiddelen die in goede staat verkeren en zodanig geïnstalleerd zijn dat het chassis, de kabels en andere onderdelen van het product niet beschadigd raken.

Het is de verantwoordelijkheid van de gebruiker om te zorgen voor de geschiktheid van de apparatuur die wordt gebruikt om het product te vervoeren, door voorzieningen (bijv. fietsendragers) uit te rusten en te installeren in overeenstemming met de voorschriften die in het land van gebruik zijn goedgekeurd en toegestaan.

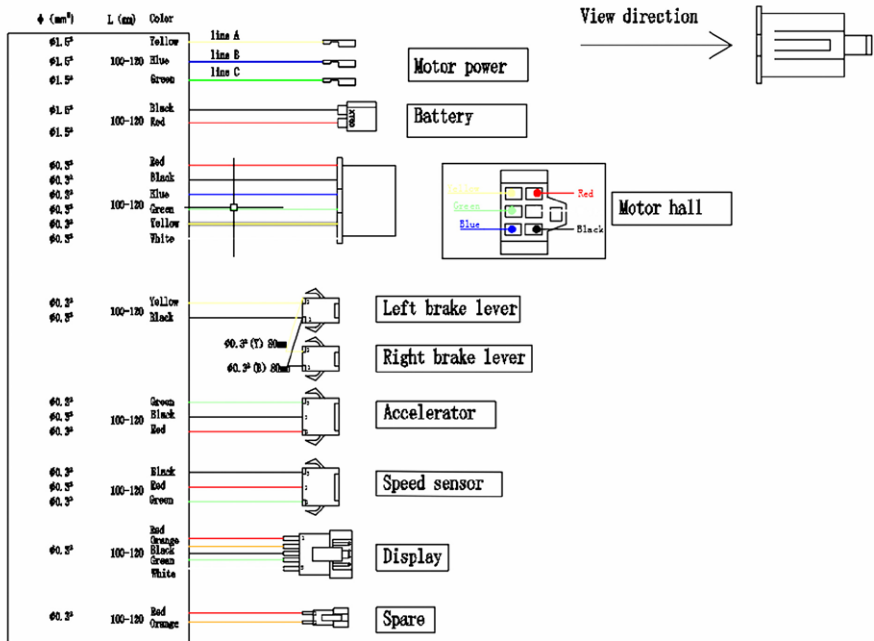


**OPGELET**



De fabrikant is niet aansprakelijk voor breuken die worden veroorzaakt door het opheffen en/of vervoeren van de elektrische fiets na de levering.

# 11. Aansluitingsdiagram

## 250W Controller



## 12. Problemen oplossen

Indicaties op het scherm	Oorzaak	Oplossing
Waarschuwinglampje rem 	Geeft aan wanneer de rem in gebruik is	/
	De remhendel komt niet terug in positie	Druk de hendel een paar keer in om hem terug in zijn positie te brengen. Vervang de remhendel.
Waarschuwinglampje gaspedaal 	Versnellingskabel, gaspedaal of aansluitingen zijn beschadigd	Vervang de bekabeling
	De aansluitingen tussen het gaspedaal en de controller zijn niet goed aangesloten	Herstel de verbinding
Waarschuwinglampje motor 	De motor functioneert niet	Vervang de motor
	De motorkabels zijn beschadigd	Vervang de bekabeling
	De motor is niet of verkeerd aangesloten	Herstel de aansluiting
Waarschuwinglampje besturingseenheid 	De besturingseenheid is defect	Vervang de besturingseenheid

## 13. Aansprakelijkheid en algemene garantievoorwaarden

De bestuurder draagt de verantwoordelijke voor alle risico's die verband houden met het gebruik van een helm en andere beschermingsmiddelen. De bestuurder moet zich houden aan de geldende plaatselijke voorschriften met betrekking tot:

1. de toegestane minimumleeftijd voor de bestuurder,
2. de beperkingen op het type bestuurder dat het product mag gebruiken
3. alle andere reglementaire aspecten

De bestuurder is tevens verplicht het product schoon en in een perfecte staat van efficiëntie en onderhoud te houden. Hij/zij is verplicht de veiligheidscontroles die binnen zijn/haar bevoegdheid vallen zorgvuldig uit te voeren zoals beschreven in de vorige secties. Hij/zij mag op geen enkele manier het product aanpassen en is verplicht alle documentatie met betrekking tot onderhoud te bewaren.

De fabrikant is niet aansprakelijk voor veroorzaakte schade en voor schade veroorzaakt aan voorwerpen en personen, met name als:

- het product op oneigenlijke wijze wordt gebruikt of niet in overeenstemming met de inhoud van de handleiding;
- het product na de aankoop wordt gewijzigd of er wordt geknoeid met alle of enkele van de onderdelen.

In het geval van een storing van het product om redenen die niet te wijten zijn aan onjuist rijgedrag en indien u de algemene garantievoorwaarden wilt raadplegen, neemt u contact op met uw verkoper of raadpleeg de website

[www.platum.com/en/ducati-urban-e-mobility/](http://www.platum.com/en/ducati-urban-e-mobility/)

De volgende defecten of storingen zijn altijd uitgesloten van het toepassingsgebied van de wettelijke garantie voor producten: eventuele defecten of storingen die veroorzaakt zijn door incidentele gebeurtenissen en/of die toe te schrijven zijn aan de verantwoordelijkheid van de koper of door oneigenlijk gebruik (ten opzichte van het gebruiksdoel en/of zoals aangegeven in de meegeleverde technische documentatie), door het niet afstellen van de mechanische onderdelen, door natuurlijke slijtage van materiaal, door slijtage dat wordt veroorzaakt door montagefouten, door gebrek aan onderhoud en/of gebruik dat niet overeenkomt met de instructies.

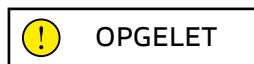
Het volgende moet bijvoorbeeld worden beschouwd als uitgesloten van de wettelijke garantie voor producten:

- schade veroorzaakt door stoten, vallen of aanrijdingen, lekke banden;
- schade veroorzaakt door gebruik, blootstelling of opslag in een ongeschikte omgeving (bijvoorbeeld: aanwezigheid van regen en/of modder, blootstelling aan vocht of overmatige warmtebronnen, contact met zand of andere stoffen);
- schade veroorzaakt door het niet afstellen voor het wegklaar maken en/of het niet onderhouden van mechanische onderdelen, remmen, stuur, banden, enz.; onjuiste installatie en/of montage van onderdelen;
- natuurlijke slijtage van verbruiksmaterialen: schijfremmen (bijv. remblokken, remklauwen, schijven, kabels), banden, voetplaten, pakkingen, lagers, led-verlichting en lampen, standaard, toetspen, spatborden, rubberen onderdelen, bedrading van kabelconnectoren, maskers en stickers, enz.;

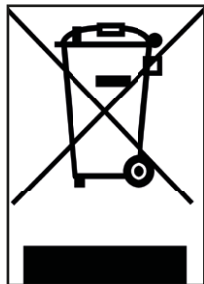
- onjuist onderhoud of gebruik van de accu van het product;
- het aanpassen en/of forceren van onderdelen van het product;
- onjuist of ongeschikt onderhoud of aanpassing van het product;
- onjuist gebruik van het product (bijvoorbeeld: overbelasting, gebruik bij wedstrijden en/of voor commerciële verhuuractiviteiten);
- onderhoud, reparaties en/of technische handelingen op het product die worden uitgevoerd door onbevoegde derden;
- schade aan producten als gevolg van het transport, indien uitgevoerd door de koper;
- schade en/of defecten als gevolg van het gebruik van niet-originele reserveonderdelen.

U kunt de meest recente versie van de garantievoorwaarden raadplegen op de website [www.platum.store/en/assistance](http://www.platum.store/en/assistance)

## 14. Informatie over de verwijdering



**Verwerking van afgedankte elektrische en elektronische apparaten (van toepassing in alle landen van de Europese Unie en in andere Europese systemen voor gescheiden inzameling)**



Dit symbool op het product of op de verpakking geeft aan dat het product niet als normaal huishoudelijk afval moet worden beschouwd, maar moet worden ingeleverd bij het specifieke inzamelpunt voor de recycling van afgedankte elektrische en elektronische apparatuur (AEEA).

Door het product op de juiste manier af te voeren, helpt u mogelijke negatieve gevolgen voor het milieu en de gezondheid door een onjuiste afvalverwerking te voorkomen. De recycling van de materialen draagt bij aan het behoud van de natuurlijke hulpbronnen.

Neem voor meer informatie over de recycling en verwijdering van dit product contact op met de plaatselijke afvalverwerkingsdienst of het verkooppunt waar u het heeft aangeschaft.

In ieder geval moet het product verwijderd worden volgens de regelgeving van kracht in het land van aankoop.

De consument mag de AEEA niet als gemeentelijk afval afvoeren, maar moet dit soort afval op gescheiden manier laten verwerken door middel van twee manieren van inzameling:

- 1) Bij gemeentelijke inzamelcentra (ook bekend als Eco-plaatsen, ecologische eilanden), rechtstreeks of via de gemeentelijke inzameldiensten, indien deze beschikbaar zijn;
- 2) Bij de verkooppunten in geval van de aanschaf van nieuwe elektrische en elektronische apparatuur.

Hier kunt u de AEEA van kleine afmetingen (de langste zijde korter dan 25 cm) gratis inleveren. Grotere producten kunnen een-tegen-een worden geleverd: het afgedankte product wordt ingeleverd bij aanschaf van een nieuw product met dezelfde functie.

In geval van een illegale verwijdering van elektrische of elektronische apparatuur kunnen de sancties van de geldende regelgeving inzake milieubescherming worden toegepast (Italiaanse regelgeving, controleer de toepasselijke regelgeving van het land van gebruik/ verwijdering van het voertuig).

Als de AEEA batterijen of accu's bevatten, moeten deze worden verwijderd en gescheiden worden ingezameld.



**OPGELET**

## Verwerking van lege batterijen/accu's (van toepassing in alle landen van de Europese Unie en in andere Europese systemen voor gescheiden inzameling)



Dit symbool op het product of op de verpakking geeft aan dat de batterij/accu niet beschouwd mag worden als normaal huishoudelijk afval. Op enkele soorten batterijen/accu's kan dit symbool in combinatie met een chemisch symbool gebruikt worden.

De chemische symbolen voor kwik (Hg) of lood (Pb) worden toegevoegd als de accu meer dan 0,0005% kwik of 0,004% lood bevat.

Door de batterijen/accu's op de juiste manier af te voeren, helpt u mogelijke negatieve gevolgen voor het milieu en de gezondheid door een onjuiste afvalverwerking te voorkomen. De recycling van de materialen draagt bij aan het behoud van de natuurlijke hulpbronnen. Bij producten die vanwege de veiligheid, prestaties of gegevensbescherming een vaste verbinding met een interne batterij/accu vereisen, mag de accu of batterij alleen worden vervangen door gekwalificeerd servicepersoneel.

Lever het afgedankte product in bij inzamelpunten voor de verwerking van elektrische en elektronische apparatuur. Hierdoor wordt ook de interne batterij/accu op de juiste manier verwerkt.

Neem voor meer informatie over de verwijdering van de afgewerkte batterij/accu of van het product contact op met de plaatselijke afvalverwerkingsdienst of met het verkooppunt waar u het product heeft aangeschaft.

In ieder geval moet het product verwijderd worden volgens de regelgeving van kracht in het land van aankoop.

# **MG-20**

foldable e-bike

## Upute za uporabu

Sadržaj priručnika preveden s izvornog talijanskog.

Hvala vam što ste odabrali ovaj proizvod. Za informacije, tehničku podršku, pomoć ili konzultacije s općim uvjetima jamstva obratite se svom prodavaču ili posjetite web stranicu [www.platum.com/en/ducati-urban-e-mobility/](http://www.platum.com/en/ducati-urban-e-mobility/)

1. Uvod
2. Upozorenja o uporabi i sigurnosti
3. Popis pakiranja
4. Pregled proizvoda
5. Tehnički podatkovni dokument
6. Sklapanje
7. Baterija
8. Prikaz
9. Prvo pokretanje
10. Pohrana, održavanje i čišćenje
11. Dijagram povezivanja
12. Rješavanje problema
13. Odgovornost i opći uvjeti jamstva
14. Informacije o zbrinjavanju

# 1. Uvod

## Pregled

Ovaj priručnik sastavni je i bitan dio bicikla s električnim pogonom (EPAC).

Prije prve uporabe bicikla bitno je da korisnici pročitaju, razumiju i strogo se pridržavaju dolje navedenih zahtjeva.

Tvrtka neće biti odgovorna za bilo kakvu prouzročenu štetu i ni na koji način nije odgovorna za štetu prouzročenu imovini ili osobama kada:

- proizvod se koristi nepravilno ili na način koji nije u skladu s uputama korisničkog priručnika;
- nakon kupnje, artikl se mijenja ili neovlašteno mijenja u svim ili nekim dijelovima.

U interesu tehnološkog razvoja, proizvođač zadržava pravo izmjene dotičnog proizvoda bez prethodne najave i bez automatskog ažuriranja ovog priručnika. Za daljnje informacije i konzultacije s ažuriranim verzijama priručnika posjetite

[www.platum.com/en/ducati-urban-e-mobility/](http://www.platum.com/en/ducati-urban-e-mobility/)

## Usluga nakon prodaje

Za bilo kakav problem ili zahtjev za pojašnjenjem, slobodno se obratite timu postprodajnog servisa vašeg ovlaštenog trgovca koji ima stručnost i specijalističko znanje te pristup određenim alatima i originalnim rezervnim dijelovima.

## Pravna napomena za korištenje

Provjerite i pridržavajte se zakona o prometu i lokalnih cestovnih propisa koji su na snazi za bicikliste o svim ograničenjima za vozače, koji mogu koristiti proizvod, te o korištenju ove vrste proizvoda.

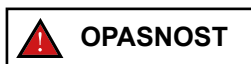
## Vizualni prikaz sigurnosnih upozorenja

Za prepoznavanje sigurnosnih poruka u priručniku koristit će se sljedeći simboli upozorenja koji služe za privlačenje pozornosti čitatelja/korisnika kako bi se osiguralo da se električni ciklus koristi ispravno i sigurno.



### Oprez

Ovo naglašava pravila kojih se treba pridržavati kako bi se izbjeglo oštećenje EPAC-a i/ili spriječio nastanak potencijalno opasnih situacija.



### Preostali rizici

Ističe prisutnost opasnosti koje uzrokuju preostale rizike, kojih korisnik mora biti svjestan kako bi spriječio ozljede ili štetu na imovini.

## 2. Upozorenja o uporabi i sigurnosti

### Opća sigurnosna pravila

Čak i ako ste već upoznati s korištenjem električno potpomognutog ciklusa, morate se pridržavati dolje navedenih uputa i također se morate pridržavati općih smjernica za upravljanje motornim vozilom.

Važno je odvojiti vrijeme potrebno za učenje osnova korištenja bicikla kako biste izbjegli ozbiljne ozljede koje bi mogle nastati prilikom prve uporabe. Obratite se svom prodavaču za savjet o tome kako pravilno koristiti bicikl ili upute o kontaktiranju odgovarajuće organizacije za obuku.

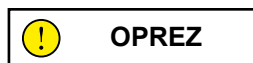
Tvrtka ne preuzima nikakvu izravnu ili neizravnu odgovornost proizašlu iz zlouporabe bicikla, nepoštivanja zakona o autocestama i uputa u priručniku, nezgoda ili sporova uzrokovanih nepoštivanjem propisa ili nezakonitim radnjama.

Ovaj proizvod se mora koristiti u rekreativne svrhe. Ne može ga koristiti više od jedne osobe

istovremeno i ne smije se koristiti za prijevoz putnika.

Nemojte mijenjati namjenu vozila na bilo koji način. Artikel nije prikladan za vrtolomije, natjecanja, prijevoz predmeta, vuču drugih vozila ili prikolica.

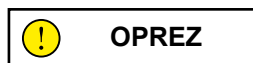
A-ponderirana razina zvučnog tlaka emisije u uhu vozača manja je od 70 dB(A).



### Korištenje ciklusa potpomognutog električnom energijom

Svi korisnici moraju pročitati i razumjeti upute i informacije navedene u priručniku.

Ako se tijekom sastavljanja otkriju bilo kakvi tvornički nedostaci, neki koraci nisu jasni ili se pojave problemi sa sastavljanjem ili podešavanjem, nemojte se voziti vozilom i kontaktirajte svog prodavača ili posjetite [www.platum.com/en/ducati-urban-e-mobility/](http://www.platum.com/en/ducati-urban-e-mobility/) za tehničku podršku.



### Rizici povezani s uporabom bicikla s električnim pogonom

Unatoč primjeni sigurnosnih uređaja, kako bi se osigurala sigurna uporaba bicikla s električnim pogonom, moraju se poštivati sve sigurnosne odredbe navedene u ovom priručniku.

Uvijek održavajte koncentraciju tijekom vožnje i ne podcjenjujte preostale rizike povezane s uporabom električno potpomognutog bicikla.



## OPREZ

### Odgovornost

Vozač je obvezan električni bicikl koristiti s najvećom pozornošću i u potpunosti sukladno s cestovnim uredbama i svim biciklističkim pravilima koja su na snazi u zemlji uporabe.

Važno je imati na umu da, kada ste na javnom mjestu na otvorenom ili na cesti, čak i kada doslovno pratite upute iz priručnika, i tada su moguće ozljede vozača nastale zbog kršenja ili neodgovarajućih radnji koje poduzmu vozači drugih vozila, te zbog prepreka ili osoba.

Loša uporaba stavke ili nepraćenje uputa datih u ovom priručniku mogu uzrokovati ozbiljnu ozljedu.

Vozači također moraju osigurati da ciklus s električnim pogonom bude čist, u savršenom radnom stanju i servisiran. Moraju marljivo provoditi sigurnosne provjere koje su u njihovoj odgovornosti, kao i čuvati svu dokumentaciju o održavanju proizvoda.

Vozači moraju pažljivo procijeniti sve vremenske uvjete koji bi mogli učiniti potencijalno opasnim korištenje bicikla potpomognutog električnom energijom.

Ovaj proizvod je vozilo, stoga, što brže ide, potreban je duži put kočenja. Stoga preporučamo umjerenu brzinu i održavanje odgovarajućeg zaustavnog puta ako se vozite po nepovoljnim vremenskim uvjetima i/ili gustom prometu.

Put kočenja se povećava na mokrim, skliskim, blatnim ili zaleđenim cestama, a prianjanje guma značajno se smanjuje s rizikom od proklizavanja kotača i gubitka ravnoteže u usporedbi sa suhim cestama.

Stoga je bitno opreznije voziti bicikl, održavati primjerenu brzinu i sigurnosni razmak od drugih vozila ili pješaka.

Dodatno pazite kada vozite na nepoznatim cestama.

Radi vaše sigurnosti preporučujemo nošenje odgovarajuće zaštitne opreme (kaciga, štitičnici za koljena i laktove) kako biste se zaštitili od bilo kakvih padova ili ozljeda tijekom vožnje bicikla. Kada drugima dopuštate korištenje bicikla, pobrinite se da vozač nosi sigurnosnu opremu i objasnite im kako upravljati vozilom. Kako biste izbjegli ozljedu nemojte drugima dozvoljavati da koriste stavku ako ne znaju kako ju koristiti.

Nosite cipele za vrijeme uporabe.

Bicikl je dizajniran tako da dopušta opterećenje maksimalne ukupne težine (vozač i sav teret koji se nosi) koji ne prelazi vrijednost navedenu u tehničkom listu proizvoda.

Izbjegavajte korištenje proizvoda, pod svim okolnostima, ako ukupni teret koji se prevozi premašuje preporučenu težinu kako biste izbjegli rizik od oštećenja integriteta strukturnih i elektroničkih komponenti bicikla.

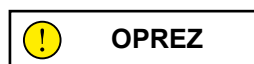
Ciklus potpomognut električnim pogonom (EPAC), kako je navedeno u odredbama važećeg referentnog standarda EN 15194, prijevozno je sredstvo namijenjeno prijevozu samo jedne osobe.

Prijevoz putnika dopušten je samo u okviru propisa koji su na snazi u zemlji u kojoj se vozi u pogledu: minimalne starosti vozača,

maksimalne dobi putnika koji se prevozi, osiguranje zakonom odobrenih i dopuštenih sredstava za prijevoz putnika.

Odgovornost korisnika je utvrditi prikladnost uređaja koji se koriste za prijevoz putnika u pogledu konstrukcijskih karakteristika, sigurnosnih sustava, sustava za sidrenje i njihovu ugradnju i montažu na ciklusu potpomognutom električnom energijom na temelju njegove strukture i unutar dopuštenih granica opterećenja (maksimalno teret koji nosi bicikl i isporučeni nosač prtljage, ako postoji).

Korisnik je također odgovoran za nabavu i ugradnju uređaja koji se koriste za prijevoz predmeta i životinja (npr. police za prtljagu, torbe za prtljagu, košare za pohranu itd.) u skladu sa zakonski odobrenim i ovlaštenim odredbama u zemlji korištenja i ograničenja konstrukcije unutar dopuštenih granica opterećenja (maksimalno opterećenje koje nosi bicikl i isporučeni prtljažnik, ako postoji).



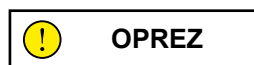
Ugradnja dodatne opreme i opreme na bicikl ne samo da utječe na performanse bicikla i način na koji se koristi, već također može uzrokovati štetu ako su neprikladni, čime se ugrožava ispravan rad i sigurnosni uvjeti tijekom korištenja.

Za informacije o nabavi i ugradnji opreme koja se smatra prikladnom za bicikl, obratite se svom ovlaštenom trgovcu ili specijaliziranim operaterima.

### **Upozorenja za korisnike**

- Ciklus potpomognut električnim pogonom mogu koristiti samo odrasli i vješti tinejdžeri.
- Nemojte uzimati alkohol ili droge prije vožnje bicikla s električnim pogonom.
- Ovaj model bicikla s električnom energijom dizajniran je i izrađen za vanjsku upotrebu na javnim cestama ili biciklističkim stazama.
- Nemojte tražiti bolje karakteristike ciklusa s električnom energijom u odnosu na one za koje je dizajniran.
- Nikada nemojte voziti bicikl s električnim pogonom s rastavljenim dijelovima.
- Vozite se s obje ruke na upravljaču.
- Prije uporabe zamijenite sve istrošene i/ili oštećene dijelove i provjerite rade li sigurnosni uređaji ispravno.
- Držite djecu dalje od plastičnih stavki (uključujući materijale za pakiranje) i malih dijelova koji mogu dovesti do gušenja.
- Nadzirite djecu kako biste bili sigurni da se ne igraju s proizvodom.
- Uklonite oštre predmete uzrokovane lošom uporabom, lomom ili oštećenjem stavke.

- Obratite posebnu pozornost kada koristite proizvod u blizini pješaka i svakako usporite i signalizirajte svoju prisutnost kako ih ne biste prestrašili kada im dolazite s leđa.
- Ispravno sastavite predmet.



## Kako koristiti

Električno potpomognuti bicikl je bicikl opremljen pomoćnim električnim motorom koji se aktivira samo kada se okreću pedale.

Motor, dakle, ne zamjenjuje rad mišića nogu, već im pomaže da rade manje naporno omogućavajući električne i elektroničke komponente isporučene s proizvodom, tj. bateriju, kontrole na upravljaču, senzore i upravljačku elektroniku (upravljačka jedinica).

Točnije, električni motor napaja baterija, a njime upravlja upravljačka jedinica koja upravlja isporukom snage i dodatnim potiskom koji pomaže vozaču pri okretanju pedala na temelju očitavanja vrijednosti u stvarnom vremenu koje otkriva serija senzora za pomoć pri pedaliranju. Ti su senzori smješteni s vanjske strane okvira ili unutar samih komponenti i temelje se na kontrolnim parametrima koje korisnik unese putem kontrola na upravljaču (zaslon).

U skladu s odredbama Europske direktive 2002/24/EZ, električni motor koji se isporučuje s ciklusom potpomognutim električnom energijom, aktivira se samo kako bi pomogao korisniku pri pedaliranju i bit će onemogućen nakon postizanja brzine od 25 km/h.

Električno potpomognuti bicikl dizajniran je i proizveden za vožnju vani na javnim cestama i biciklističkim stazama, na asfaltiranim površinama i/ili tlu koje je prikladno za specifične tehničke i strukturne značajke bicikla.

Sve promjene u njegovoj konstrukciji mogu ugroziti ponašanje, sigurnost i stabilnost električno potpomognutog ciklusa i mogu uzrokovati nesreću.

Sve druge vrste uporabe ili bilo kakva proširenja uporabe izvan one namijenjene ne odgovaraju namjeni koju je dodijelio proizvođač te se proizvođač stoga odriče svake odgovornosti za bilo kakvu nastalu štetu.

Autonomija baterije koja se isporučuje s ciklusom potpomognutim električnom energijom i, prema tome, relevantni podaci o udaljenosti procijenjeni u km, mogu značajno varirati ovisno o specifičnom načinu korištenja (ukupan teret koji se prevozi, koliko jako vozač okreće pedale bicikla, razina električne detektirana pomoć pri pedalu, koliko često vozač polazi i ponovno kreće), mehanički i električni uvjeti proizvoda (tlak i istrošenost guma, razina učinkovitosti baterije) i vanjski utjecaji (nagibi i površina ceste, atmosferski uvjeti).

Prije svake uporabe pažljivo provjerite rade li kočnice ispravno i nisu istrošene; provjerite tlak u gumama, istrošenost kotača i status napunjenosti akumulatora.

Redovito provjeravajte zategnutost različitih elemenata pričvršćenih vijcima. Matice i svi ostali samozatezni dijelovi mogu se olabaviti pa te komponente treba povremeno provjeravati i zatezati.

Kao i sve mehaničke komponente, stavka je podložna trošenju i cijepanju. Različiti materijali i komponente mogu reagirati na trošenje ili zamor od stresa na mnoge načine. Ako je vijek trajanja neke komponente prekoračen, ona bi se mogla neočekivano pokvariti i ozlijediti korisnika. Bilo kakve napukline, ogrebotine ili promjene boje u područjima podložnim velikim razinama stresa naznačavaju da je trajanje komponente isteklo i da se mora zamijeniti.



**OPREZ**

### **Dopuštena brzina**

Najveća dozvoljena brzina je 25 km/h.

Upravljačka jedinica je konfigurirana da spriječi bilo kakvu promjenu najveće dopuštene brzine.

Sve promjene na upravljačkoj jedinici koje nije odobrio proizvođač isključit će potonjeg od bilo kakve odgovornosti povezane s ozljedama uzrokovanim osobama i/ili štetom na imovini te će poništiti odredbe i uvjete jamstva za bicikl.



**OPASNOST**

### **Opasnost od ozljeda**

Vozite pri brzini i ponašajte se sukladno svojim sposobnostima; nikada nemojte voziti električni bicikl pri brzini većoj od 25Km/h jer to može uzrokovati ozbiljno oštećenje i ozljedu za vas i druge.



**OPREZ**

### **Mjesto upotrebe**

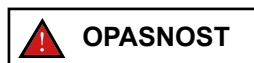
- Ciklus potpomognut električnim pogonom može se koristiti na otvorenom pod uvjetom da nema nepovoljnih vremenskih uvjeta (kiša, tuča, snijeg, jak vjetar itd.).
- Najveća dopuštena temperatura: +40 °C
- Minimalna dopuštena temperatura: +0 °C
- Najveća dopuštena vlažnost: 80%

Okrženje u kojem se koristi mora predstavljati ravnu, kompaktnu, glatku asfaltiranu površinu, bez ikakvih rupa ili udubina, bez prepreka i masnih mrlja.

Mjesto uporabe također mora biti dobro osvijetljeno prirodnim ili umjetnim svjetlom kako bi se osiguralo da se ruta i kontrole električno potpomognutog ciklusa mogu ispravno vidjeti (preporučeno osvijetljenje 300 do 500 luksa).

## Nepravilna uporaba i kontraindikacije

Dolje opisane radnje, koje očito ne mogu pokriti cijeli niz potencijalnih mogućnosti "lošeg korištenja" ciklusa potpomognutog električnom energijom, treba se smatrati strogo zabranjenim.



### Strogo je zabranjeno:

Koristiti električni bicikl u svrhe za koje nije proizvedeno.

Voziti bicikl ukoliko težina vozača prelazi ograničenje.

Koristiti električni bicikl od utjecajem droga ili alkohola.

Koristiti električni bicikl u područjima gdje postoji opasnost od požara, eksplozija ili na mjestima s korozivnom i/ili kemijski aktivnom atmosferom.

Koristiti električni bicikl pri vremenskim nepogodama (velika kiša, tuča, snijeg, jak vjetar itd.).

Koristiti električni bicikl u loše osvijetljenim područjima.

Voziti ili ostati na neravnom ili grubom tlu (neravne ceste s rupama, udubljenjima, preprekama itd.) kako biste izbjegli rizik od pada i ozljede vozača te oštećenja e-bicikla.

Puniti bateriju u okruženju koje je ili prevruće ili nedovoljno prozračeno. Pokrivati bateriju dok se puni.

Pušiti ili koristiti otvoreni plamen u blizini područja punjenja.

Vršiti bilo koju vrste radova na održavanju s priključenim akumulatorom. Stavljati udove ili prste između bilo kojih pokretnih dijelova bicikla.

Dodirivati kočnice odmah nakon uporabe zbog visokih temperatura.

Dopustiti da električne i elektroničke komponente e-bicikla dođu u kontakt s vodom ili drugim tekućinama.

Modificirati ili mijenjati e-bicikl i njegove mehaničke i elektroničke dijelove na bilo koji način kako biste izbjegli rizik od oštećenja strukture, ugrožavanja učinkovitosti i nanošenja štete.

Ako se otkriju bilo kakvi proizvodni kvarovi ili se dogode neuobičajena buka ili pogreške nemojte koristiti bicikl i obratite se svom prodavaču ili posjetite

[www.platum.com/en/ducati-urban-e-mobility/](http://www.platum.com/en/ducati-urban-e-mobility/) internet stranicu

### Sigurnosni uređaji

Strogo je zabranjeno mijenjati ili uklanjati sigurnosne uređaje za bateriju, lanac i druge komponente instalirane na e-biciklu, kao što su pločice upozorenja i identifikacijske pločice.

### 3. Popis pakiranja

- Unaprijed sastavljen DUCATI MG-20 E-BIKIKL
- Sjedalo + nosač sjedala + stražnji reflektor (sl. A)
- Prednji blatobran (slika B)
- Stražnji blatobran (sl.C)
- Punjivo LED stražnje svjetlo (sl. D)
- USB kabel za punjenje baterije LED stražnjeg svjetla
- Punjač baterije (sl.E)
- Inbus ključ 4 mm
- Komplet ključeva za zaključavanje/otključavanje baterije (2 ključa)



sl.A



sl.B



sl.C



sl.D



sl.E

## 4. Pregled proizvoda



- |   |  |
|---|--|
| 1. Sjedalo                                      | 21. Prednji kotač  |
| 2. Nosač sjedala                                | 22. Čeljust prednje kočnice (suprotna strana)            |
| 3. Stezaljka za držač sjedala                   | 23. Rotor prednje kočnice (suprotna strana)              |
| 4. Li-Ion baterija                              | 24. Vilica   |
| 5. Stražnji blatobran                           | 25. LED prednje svjetlo                                  |
| 6. Stražnja guma                                | 26. Ručica upravljača za zaključavanje/<br>otključavanje |
| 7. Stražnji kotač                               | 27. Nosač upravljača                                     |
| 8. Čeljust stražnje kočnice (nasuprotna strana) | 28. Osovina  |
| 9. Rotor stražnje kočnice (suprotna strana)     | 29. Upravljač  |
| 10. Motor                                       | 30. Poluga kočnice stražnjeg kotača (desna<br>strana)    |
| 11. Kutija                                      | 31. Mjenjač  |
| 12. Stražnji mjenjač                            | 32. LCD zaslon   |
| 13. Postolje (suprotna strana)                  | 33. Zvono  |
| 14. Lanac                                       | 34. Poluga kočnice prednjeg kotača (lijeva strana)       |
| 15. Lančanik                                    | 35. Okvir mehanizam za otvaranje/zatvaranje              |
| 16. Poluga pedale                               | 36. Stražnji reflektor                                   |
| 17. Pedala                                      | 37. Punjivo LED stražnje svjetlo                         |
| 18. PAS – senzor kadence (suprotna strana)      | 38. Serijski broj okvira                                 |
| 19. Prednji blatobran                           |  |
| 20. Prednja guma                                |  |

## 5. Tehnički podatkovni dokument

### Opće informacije

Kotači	20" - crni obruč sa 6 krakova, tlačni lijevi od magnezija
Vilica	Tvrda vilica, magnezijско lijevanje pod pritiskom
Kočioni sustav	prednja i stražnja mehanička disk kočnica - poluge kočnice sa senzorom za isključivanje
Sustav mjenjača	mehanički 6 brzina (1x6) - stražnji mjenjač
Pogonski lanac	lančanik 44T - kazeta sa 6 zupčanika (14-16-18-21-24-28T)
Okvir	sklopivi, Magnezijско tlačno lijevanje
Puna brzina	25 km/h
Maksimalna nosivost (vozač i teret)	100 kg

### Električni sustav

Svjetla	Prednja LED
Prikaz	LCD zaslon s razinama pomoći, svjetlo za uključivanje/isključivanje, mjerac kilometara s povezanim funkcijama
Motor	36V, 250W, IP54, glavčina stražnjeg kotača
Baterija	Li-Ion 36V, 10.5Ah, 378Wh integrirana u okvir i uklonjiva
Punjač baterije	Ulaz: AC 100 V-240 V 2,5 A (maks.) - Izlaz: DC 42 V 2,0 A (maks.)
Vrijeme punjenja baterije	4/5 sati

### Dimenzije i težine (± 5%)

Težina baterije	2.0 kg
Težina e-bicikla bez baterije	18.5 kg
Težina e-bicikla	20.5 kg
Dimenzije e-bicikla	1520 x 580 x 1070 mm
Dimenzije pakiranja	830 x 420 x 665 mm

## 6. Sklapanje

Pažljivo izvadite bicikl iz ambalaže\* i uklonite zaštitni materijal pazeći da ne oštetite relevantne estetske dijelove ili da ne pritisnete kabele i predmontirane komponente.

\*Bicikl moraju izvaditi iz ambalaže dvije odrasle osobe kako bi se osiguralo da se ne ošteti i izbjegne rizik od ozljeda i/ili prignječenja.

Nakon što poravnate prednji dio okvira sa stražnjim dijelom okretanjem oko osovine šarke spojke, zategnite polugu na mehanizmu za otvaranje/zatvaranje okvira na sljedeći način:

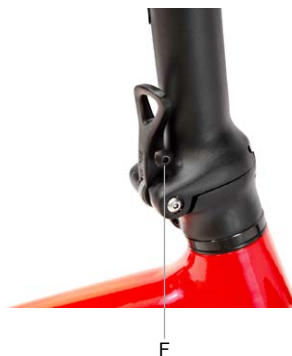
okrenite polugu mehanizma za otvaranje/zatvaranje okvira (A) u smjeru prednjeg dijela okvira, pazeći da ste umetnuli uređaj za zaključavanje (B) poluge u njezino ležište (C) i gurnite polugu osiguravajući njezino zatezanje putem odgovarajućeg uređaja za zaključavanje.



Pritiskom na tipku za otpuštanje mehanizma za otvaranje/zatvaranje (D), povlačenjem i okretanjem u smjeru stražnjeg dijela okvira, moguće je preklopiti okvir.

## Postavljanje poluge upravljača

Podignite polugu upravljača u okomiti položaj držeći polugu za zaključavanje/otpuštanje (E) u spuštenom položaju, a zatim ga zategnite djelovanjem na polugu za zaključavanje/otpuštanje, okrećući je prema ručici upravljača.



Pritiskom na sigurnosnu tipku na poluzi za zaključavanje/otključavanje držača upravljača (F) bit će moguće, okretanjem poluge prema dolje, otključati i preklopiti.

## Ugradnja upravljača

Postavite ručke upravljača naprijed, poravnajte ga s okvirom i prednjim kotačem okretanjem odgovarajućih pričvrstnih vijaka na nosač upravljača (sl. A).



sl.A

Pomoću ključa sa šesterokutnim imbus umetkom od 4 mm postupno i naizmjenično otpustite četiri pričvrsna vijka prednje ploče na kraju držača upravljača (sl. B) okrećući ih u smjeru suprotnom od kazaljke na satu dok se ne mogu ukloniti (sl. C).

Postavite upravljač središnje u namjensko kućište na tijelu držača upravljača (sl. D) i postavite prethodno uklonjenu prednju ploču nosača upravljača na njezino izvorno mjesto, umetanjem i zatezanjem lagano (okrećući u smjeru kazaljke na satu) i naizmjeničnim pričvrsnim vijcima za postavljanje željenog upravljača pozicioniranje.

Dovršite montažu upravljača zatezanjem vijaka navedenim redoslijedom dok ne budu potpuno zategnuti (sl. E).



sl.B



sl.C



sl.D



sl.E

## Montaža i postavljanje nosača sjedala

Umetnite stup sjedala u cijev sjedala okvira i, nakon pravilnog postavljanja sjedala, čvrsto pričvrstite stup sjedala pomoću posebne stezne naprave (stezaljka sjedala) na okviru.

Otpustite mehanizam za brzo stezanje sjedala (ovratnik sjedala s brzim otpuštanjem), koji pričvršćuje sjedalo za cijev sjedala okvira, omogućujući izvlačenje i/ili umetanje sjedala dok se ne postigne željena visina sjedala, pazeći da je sjedalo poravnato sa središnjom linijom okvira bicikla.

Dovršite operaciju zatezanjem ovratnika sjedala kako biste bili sigurni da je sjedalo pričvršćeno na cijev sjedala okvira.



### Minimalna granica umetanja nosača sjedala

Strogo je zabranjeno vađenje nosača sjedala iz cijevi sjedala okvira iznad minimalnog ograničenja umetanja navedenog na njemu kako bi se izbjegao rizik od strukturalnih oštećenja na biciklu (okvir i/ili stup sjedala) i naišli na ozbiljne ozljede.

Smatra se da je stup sjedala ispravno i sigurno postavljen unutar cijevi sjedala okvira umetanjem tako da se ne vide nikakve oznake i/ili grafički prikaz minimalnog ograničenja umetanja.

### Ugradnja stražnjeg svjetla

Stražnje LED svjetlo koje se isporučuje s proizvodom, s ugrađenom punjivom baterijom s USB kabelom za punjenje, može se postaviti na nosač sjedala i ručno aktivirati i/ili deaktivirati korištenjem namjenske tipke na samom svjetlu.

### Ugradnja blatobrana (izborno)



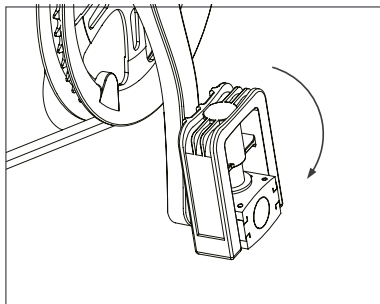
Prednji blatobran



Stražnji blatobran

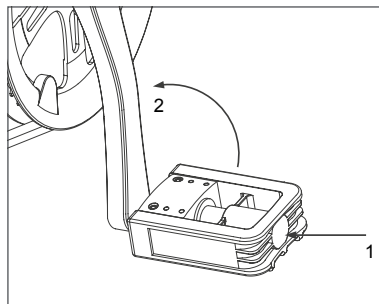
## Pedale

Otvaranje pedale



Uхватite tijelo pedale i okrenite ga prema van.

Zatvaranje pedale



Pritisnite papučicu prema kurbli i okrenite je prema unutra.

## Uklanjanje pedale

Uklonite pedalu na desnoj strani bicikla pomoću ključa od 15 mm, okrećući je suprotno od kazaljke na satu (okrenite u smjeru stražnjeg kotača).

Uklonite pedalu s lijeve strane bicikla pomoću ključa od 15 mm, okrećući ga u smjeru kazaljke na satu (okrenite u smjeru stražnjeg kotača).

## Ugradnja pedala

Pronađite desnu pedalu (označenu slovom R) i lijevu pedalu (označenu slovom L). Instalirajte desnu pedalu (R) umetanjem navojne osovinice pedale u odgovarajuću osovinu na desnoj strani bicikla i zavrtanjem u smjeru kazaljke na satu (okrenite je prema prednjem kotaču) dok ne bude zategnuta fiksnim ključem od 15 mm.

Ugradite lijevu papučicu (L) tako da umetnete navojni klin pedale u odgovarajuću kurbli na lijevoj strani bicikla i zavrtete je u smjeru suprotnom od kazaljke na satu (okrenite je prema prednjem kotaču) dok je ne zategnete fiksnim ključem od 15 mm.



**OPREZ**

## Komplet ključeva baterije

Proizvod uključuje ekskluzivnu isporuku 2 ključa jedinstveno povezana s ključnom bravom na bateriji kako bi se omogućilo relativno zaključavanje i/ili otključavanje s okvira.

Čuvajte ključeve na sigurnom mjestu, pazeći da ih ne izgubite jer onda ne bi bilo moguće izvaditi bateriju iz okvira.

Nemojte koristiti proizvod dok držite ključ umetnut u bravu na okviru kako biste izbjegli rizik od krađe ili slučajnog oštećenja uzrokovanog bilo kakvim udarcima.



## OPREZ

Redovito provjeravajte i provjeravajte pravilno zatezanje različitih dijelova s vijcima, vijaka za pričvršćivanje, mehanizama za brzo stezanje (brzo otpuštanje) i prolaznih osovina, a također izvršite opću provjeru kako biste bili sigurni da su svi dijelovi u skladu s očekivanjima.

Matice i svi ostali samozatezni dijelovi mogu se olabaviti, tako da ove komponente treba povremeno provjeriti i zategnuti.

Vrijednosti preporučenih zateznih momenta za pričvršćivanje specifičnih komponenti prisutnih na proizvodu mogu se identificirati u skladu s relevantnim elementima.

Ispravan moment zatezanja (vijci, zavrtnji, matice) neophodan je za sigurnost. Ako se ne primijeni dovoljna sila, brtvljenje nije osigurano. Prekomjerna sila može oštetiti navoje ili uzrokovati istežanje, deformaciju ili lom uređaja za pričvršćivanje. U oba slučaja pogrešan moment zatezanja može uzrokovati gubitak kontrole i padove.

Gdje je naznačeno, provjerite je li svaki vijak zategnut na navedeni moment.

Nakon prve uporabe, a zatim redovito, ponovno provjeravajte zategnutost svakog vijka kako biste osigurali sigurno pričvršćivanje komponenti.

Provjera ispravnog zatezanja komponenti putem sustava poluga (mehanizam za brzo stezanje), reguliranih djelovanjem na steznu maticu, a ne na polugu za zaključavanje mehanizma, u nedostatku tehnički preciznih indikacija relativnih vrijednosti, može se odvijati pomoću ispitivanja da odgovarajuća komponenta koja se pričvršćuje nije pomična i/ili nestabilna ako je podvrgnuta snažnom pokušaju skidanja i/ili izvlačenja i provjerom ima li poluga za zatezanje odgovarajući otpor u fazi zatvaranja (kao što je ostaviti trag na dlanu ruke koja se koristi za zatezanje poluge, takozvani "otisak na dlanu") i, nakon zatvaranja, potrebna je znatna sila da se omogućući relativno otvaranje.

Mogućnost pomicanja poluge za zaključavanje mehanizma minimalnim ručnim pritiskom ukazuje na nedovoljno stanje zaključavanja koje zahtijeva daljnje zatezanje matice za podešavanje.



## OPREZ

### Negativna provjera

Ako tijekom sastavljanja i puštanja u pogon naiđete na tvorničke nedostatke, nejasne korake ili vam bude teško sastaviti neke dijelove, nemojte voziti bicikl s električnom energijom i obratite se servisnom centru ovlaštenog trgovca ili posjetite web stranicu [www.platum.store/en/assistance](http://www.platum.store/en/assistance) za podršku.

## 7. Baterija

Bicikl s električnim pogonom pokreće se i napaja svoje električne i elektroničke funkcije pomoću litij-ionske baterije isporučene s proizvodom, ispravno napunjene i instalirane.



— Utičnica priključka za punjenje

— Zaključavanje/otpuštanje brave

### Vađenje i umetanje baterije

Baterija se može izvaditi iz okvira bicikla kako bi se spriječila krađa, kako bi se napunila ili pohranila u optimalnom stanju.

Umetnite priloženi ključ u bravu na bateriji i, nakon okretanja ključa u smjeru kazaljke na satu u položaj za otpuštanje, izvadite bateriju iz njenog ležišta klizeći je prema gore pomoću odgovarajuće isporučene ručke.



Umetnite bateriju u njeno ležište - integrirano u okvir bicikla - tako da je pričvrstite na isto okretanjem ključa u smjeru suprotnom od kazaljke na satu dok ne dođete u položaj zaključavanja. Provjerite je li baterija pravilno postavljena i pričvršćena tako da je pokušate izvući i/ili provjerite je li čvrsto pričvršćena za okvir i ne pomiče se.



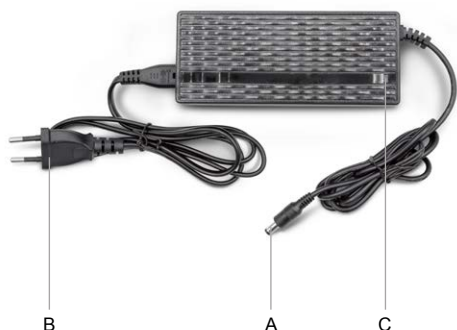
## OPREZ

Prije prve uporabe bicikla s električnim pogonom, baterija se mora do kraja napuniti pomoću isporučenog punjača. Prosječno vrijeme potrebno za potpuno punjenje baterije, koje varira ovisno o preostaloj razini napunjenosti baterije, može se procijeniti na do 4/5 sati.

Preporučujemo punjenje baterije posebnim punjačem nakon svake uporabe bicikla s električnim pogonom.

### Postupci punjenja baterije

Koristite samo isporučeni punjač za baterije ili odobreni model s istim tehničkim specifikacijama, pazeći da se pridržavate istih metoda i mjera opreza pri uporabi navedenih na punjenju ili u priručniku.



- A. Priključak za punjenje
- B. Priključak mrežnog kabela
- C. LED indikatori stanja napunjenosti baterije

Uvjerite se da su punjač baterije, priključak za punjenje, utičnica priključka punjača baterije i utikač mrežnog kabela suhi.

Uključite konektor za punjenje punjača baterije u utičnicu konektora za punjenje baterije, zatim spojite utikač mrežnog kabela iz mrežne utičnice (220V-240V ~ 50/60Hz).

Kada se baterija puni, svijetli crveni indikator. Kada indikatorsko svjetlo svijetli zeleno, to znači da je ciklus punjenja baterije završen.

Isključite konektor za punjenje punjača baterije iz utičnice konektora za punjenje baterije i isključite utikač mrežnog kabela iz mrežne utičnice kako biste završili postupak punjenja.



## OPREZ

Korištenje punjača baterije koji se razlikuje od isporučenog, koji nije prikladan ili odobren, za punjenje baterije e-bicikla može je oštetiti ili uključiti druge potencijalne rizike.

Nikada ne ostavljajte e-bicikl bez nadzora dok se puni.

Nemojte uključivati niti voziti e-bicikl tijekom punjenja. Držite izvan dohvata djece tijekom punjenja.

Ne stavljajte ništa na vrh punjača tijekom uporabe; ne dopustite da tekućina ili metal uđu u punjač baterije.

Punjač baterije se zagrijava tijekom ciklusa punjenja baterije.

Ne punitite bateriju odmah nakon upotrebe. Ostavite bateriju da se ohladi prije punjenja.

Stavka se ne treba puniti dulje vremena. Prekomjerno punjenje smanjuje vijek trajanja baterije i predstavlja dodatne potencijalne opasnosti.

Nemojte dopustiti da se baterija potpuno isprazni kako biste je izbjegli oštećenje i gubitak učinkovitosti. Oštećenje uzrokovano baterijom koja se ostavi nenačunjena dugo vremena je nepovratno i nije pokriveno ograničenim jamstvom. Kada se dogodi oštećenje, baterija se ne može ponovo napuniti (bateriju ne smije demontirati nekvalificirano osoblje jer to može dovesti do strujnih udara, kratkih spojeva ili čak velikih sigurnosnih nesreća). Punitite bateriju u redovitim intervalima (barem jednom svaka 3-4 tjedna), čak i ako se ciklus potpomognut električnim napajanjem nije koristio dulje vrijeme.

Bateriju punitite u suhom okruženju, daleko od zapaljivih materijala (npr. materijala koji se mogu zapaliti), po mogućnosti na unutarnjoj temperaturi od 15-25 °C, ali nikada ispod 0 °C ili iznad + 45 °C.

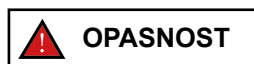
Obavite redovite vizualne preglede punjača i kabela za punjenje. Nemojte koristiti punjač ako je oštećen.

## Autonomija i trajanje baterije

Autonomija baterije koja se isporučuje s ciklusom potpomognutim električnom energijom i, prema tome, relevantni podaci o udaljenosti procijenjeni u km, mogu značajno varirati ovisno o specifičnom načinu korištenja (ukupan teret koji se prevozi, koliko jako vozač okreće pedale bicikla, razina električne detektirana pomoć pri pedalu, koliko često vozač polazi i ponovno kreće), mehanički i električni uvjeti proizvoda (tlak i istrošenost guma, razina učinkovitosti baterije) i vanjski utjecaji (nagibi i površina ceste, atmosferski uvjeti).

Kapacitet i performanse baterije će se s vremenom smanjiti zbog elektrokemijskog propadanja ćelija baterije.

Nemoguće je s točnošću predvidjeti njegovo trajanje, jer ovisi prije svega o vrsti uporabe i stresu kojem je izložen. Kako bi se produžio vijek trajanja baterije, preporučljivo je čuvati je u suhom okruženju i zaštićeno od izravnog izlaganja sunčevoj svjetlosti i po mogućnosti na unutarnjoj temperaturi od 15-25 °C, ali nikada nižoj od 0 °C ili višoj od + 45 °C. U idealnom slučaju bateriju puniti na sobnoj temperaturi i izbjegavajte preopterećenje ili njeno potpuno pražnjenje tijekom upotrebe i ponovno punjenje baterije u redovitim intervalima čak i ako se ciklus potpomognut električnim napajanjem ne koristi dulje vrijeme (barem jednom svaka 3/4 tjedna). Hladnoća, općenito, smanjuje učinkovitost baterije. Ako se koristi tijekom zime, bateriju treba puniti i čuvati na sobnoj temperaturi i umetnuti u ciklus potpomognuti električnom energijom neposredno prije upotrebe.



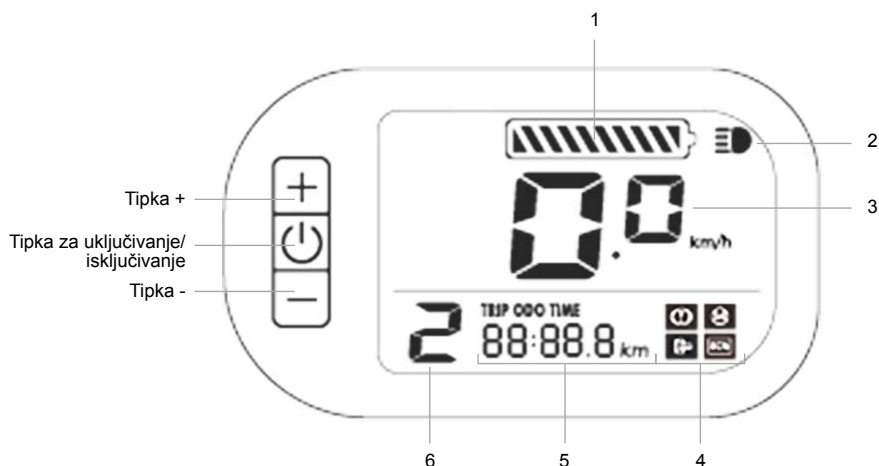
### **Upozorenja vezana uz bateriju**

- Baterija se sastoji od litij-ionskih ćelija i kemijskih elemenata koji su opasni
- za zdravlje i okoliš.
- Nemojte koristiti stavku ako emitira mirise, supstance ili pretjeranu toplotu.
- Nemojte bacati bateriju zajedno s kućnim otpadom.
- Krajnji korisnik je odgovoran za zbrinjavanje električne i elektroničke opreme i baterija u skladu sa svim važećim propisima.
- Izbjegavajte korištene, pokvarene i/ili neoriginalne baterije drugih modela ili brendova.
- Nemojte ostavljati bateriju u blizini vatre ili izvora toplote. Opasnost od požara ili eksplozije.
- Nemojte otvarati niti odvajati bateriju. Nemojte udarati, bacati niti probijati bateriju niti vješati predmete o nju.
- Nemojte dodirivati bilo kakve supstance koje cure iz baterije jer se smatraju opasnim.
- Nemojte dozvoljavati djeci ili kućnim ljubimcima da dodiruju bateriju.
- Nemojte prepuniti bateriju niti ju izlagati kratkom spoju. Opasnost od požara ili eksplozije.
- Nikada ne ostavljajte bateriju bez nadzora tijekom punjenja. Opasnost od požara! Nikada ne dodirujte
- utičnicu za punjenje metalnim predmetima.
- Nemojte uranjati bateriju u vodu, niti druge tekućine i nemojte ju njima izlagati kao ni kiši.
- Nemojte bateriju izlagati izravnom sunčevom svjetlu, pretjeranoj toploti ili hladnoći (primjerice nemojte stavku ili bateriju ostavljati u automobilu na izravnom sunčevom svjetlu dulje vremena), ili u okolišu koji eksplozivne plinove ili plamenove.
- Nemojte nositi niti pohranjivati bateriju s metalnim predmetima kao što su ukosnice, ogrlice itd. Kontakt između metalnih predmeta i kontakata baterije može uzrokovati kratki spoj koji može rezultirati fizičkim ozljedama ili smrću.

## 8. Prikaz

Ciklus s električnom energijom opremljen je upravljačkim uređajem koji se nalazi na upravljaču, LCD zaslonom, napajanim baterijom isporučenom s proizvodom, što korisniku omogućuje provjeru podataka i upravljanje svim električnim i elektroničkim funkcijama proizvoda.

### Pregled kontrola i simbola



1. Svjetlosni indikator preostale napunjenosti baterije
2. Indikator aktivacije prednjeg LED svjetla
3. Digitalni brzinomjer: trenutni pokazatelj brzine detektirane tijekom uporabe
4. Svjetla sustava
5. Prikaz podataka o korištenju (PUT - ODO - VRIJEME)
6. Indikator odabrane razine pomoćne snage

## Opis funkcije

Uključivanje/isključivanje:

pritisnite tipku za uključivanje/isključivanje kako biste uključili ili isključili LCD zaslon i omogućili aktivaciju ili deaktivaciju sustava.

Odabir razine pomoći napajanja:

kratko pritisnite tipku + ili - za povećanje ili smanjenje razine pomoći koju motor pruža.

Postoje između 1 i 3 razine pomoći pedale koje se mogu odabrati. Odaberite razinu 1 za postavljanje načina rada koji pruža minimalnu snagu električne pomoći koju pruža motor.

Odaberite razinu 3 za postavljanje načina rada koji pruža maksimalnu snagu električne pomoći koju pruža motor.

Pritiskom na tipku - dok se ne odabere razina 0 onemogućuje se aktivacija električne pomoći.

Uključivanje/isključivanje prednjeg svjetla:

pritisnite tipku + najmanje 3 sekunde za uključivanje ili isključivanje prednjeg svjetla. Prikaz podataka o korištenju (PUT - ODO - VRIJEME):

kratko pritisnite tipku za uključivanje/isključivanje kako biste uzastopce odabrali i pregledali specifične podatke o korištenju električno potpomognutog ciklusa koji se odnose na:

- PUT = prikaz djelomične prijeđene udaljenosti
- ODO = prikaz ukupne prijeđene udaljenosti
- VRIJEME = prikaz podataka o trajanju korištenja

Svjetlosni indikator razine preostale napunjenosti baterije:

Razina napunjenosti baterije prikazana je na zaslonu kao broj crtica između 0 i 10.

Ako je prisutno 10 crtica, to znači da je baterija napunjena do maksimalno definiranog postotka i odmah se detektira.

Manje crtica prikazano je za označavanje smanjenja dostupne razine napunjenosti baterije i posljedične autonomije.

Pojedinačne crtice označavaju specifični raspon napunjenosti baterije otkriven u tom trenutku i ne označavaju nužno postotak preostale autonomije.

Razina indikatora napunjenosti baterije može varirati ovisno o tome kako se koristi ciklus potpomognut električnim napajanjem, na primjer, kada se penje uzbrdo, prikazana razina može brzo pasti jer je potrošnja baterije mnogo veća.

Svjetla sustava:

pogledajte Poglavlje 12 Priručnika za informacije.

## 9. Prvo pokretanje

Prije uporabe bicikla s pedalom, uz provjeru stanja napunjenosti i pravilne ugradnje baterije, kako bi se omogućilo odgovarajuće pokretanje i osigurala učinkovita i sigurna uporaba proizvoda, uvijek je prikladno pažljivo provjeriti svaki dio izvođenje potrebnog podešavanja povezanih mehaničkih komponenti, izravno ili uz podršku specijaliziranih operatera, pogledajte: podešavanje i zatezanje kanala sjedala i naslona sjedala, podešavanje i zatezanje upravljača i pričvršćivanja za upravljač, podešavanje kočnica, podešavanje mjenjača, podmazivanje lanca i zupčanika, provjera tlaka u kotačima i gumama, opća provjera pravilnog zatezanja pričvršnih vijaka, klinova za brzo otpuštanje i prolaza kao i opća provjera jesu li svi dijelovi u redu.

### Sjedalo

Položaj na biciklu vrlo je važan kako bi se osigurala optimalna udobnost pri korištenju bicikla, pravilno okretanje pedala i kako bi se izbjegli bilo kakvi sigurnosni problemi.

Stoga je važno da sjedalo i stup sjedala budu postavljeni i prilagođeni tako da odgovaraju vozaču.

Kako biste podesili visinu sjedala, stezaljka koja pričvršćuje stup sjedala u okviru mora biti olabavljena i po potrebi podignuta ili spuštена, pazeći da je ne izvučete preko naznačene granice kako biste izbjegli rizik od loma okvira. Nakon što je pronađen najbolji položaj u skladu s mjerama opreza za izvlačenje stupića sjedala, učvrstite ga zatezanjem odgovarajuće stezaljke dok ne bude pravilno zategnut kako biste spriječili njegovo pomicanje i/ili nestabilnost.

Općenito govoreći, najbolji način za podešavanje visine sjedala je da provjerite je li vaša noga gotovo potpuno ispružena kada je vaša noga postavljena na papučicu na najnižoj točki.

Za podešavanje napredovanja i nagiba (ako postoji) sjedala, olabavite odgovarajući sustav za pričvršćivanje u nosaču sjedala, dopuštajući da se postavi željeni položaj, a zatim ponovno pravilno zategnite sustav za pričvršćivanje kako biste spriječili klizanje i pomicanje.

### Upravljač

Za podešavanje kuta upravljača, olabavite stezaljku na dršci, okrećite upravljač dok ne postignete željeni položaj i pričvrstite ga zatezanjem stezaljke dok se više ne može pomicati.

### Kočnice

Kočioni sustav instaliran na proizvodu uključuje ili mehaničke disk kočnice koje se mogu aktivirati na prednjem i na stražnjem kotaču putem odgovarajućih poluga smještenih na upravljaču.

Poluga kočnice na desnoj strani upravljača aktivira stražnju kočnicu i zaustavlja stražnji kotač, dok poluga kočnice na lijevoj strani upravljača aktivira prednju kočnicu i zaustavlja prednji kotač.

Poluge prednje i stražnje kočnice moraju biti postavljene i podešene tako da su udobne za korištenje i da favoriziraju prirodan položaj ruke i prstiju koji se koriste za njihovo povlačenje, čime se minimaliziraju sila i vrijeme potrebno za povlačenje ručice kočnice, a istovremeno osigurava da kočnica se ravnomjerno primjenjuje.

Ugrađene kočione poluge pojedinačno su opremljene uređajem (cut-off senzor), koji odmah elektronički isključuje pogonsko djelovanje motora kada se aktivira kočna ručica na koju je spojena.

Provjerite rad kočnica testom kočnica pri maloj brzini (maksimalno 6 km/h) u zoni bez prepreka.

Kako se kočione pločice na čeljusti troše i njihova se debljina smanjuje, poluga kočnice morat će se dodatno povući kako bi se izvršila ista sila kočenja kako bi se kompenzirala ova vrsta istrošenosti, prsten za podešavanje sajle kočnice koji se nalazi iza odgovarajuće poluge trebat će prilagoditi za uspostavljanje optimalnih uvjeta kočenja; ako su kočione pločice jako istrošene, moraju se zamijeniti.

### **Sustav mjenjača i pogon**

Sustav za promjenu stupnja prijenosa uz kabel koji se isporučuje s proizvodom indeksiran je i omogućuje promjenu omjera prijenosa i metrike hoda papučice podešavanjem kontrolnog uređaja na upravljaču, određujući bočno kretanje lanca na odgovarajućem zupčaniku kazete ugrađene na stražnjoj strani kotač preko mjenjača.

Provjerite jesu li promjena stupnja prijenosa i njegovo podešavanje ispravni te jesu li lanac i pogonski zupčanici čisti i pravilno podmazani.

### **Kotači i gume**

Provjerite pravilno centriranje, ispravnu ugradnju i zatezanje kotača. Provjerite prisutnost i ispravnu ugradnju reflektora.

Provjerite stanje i istrošenost guma: ne smije biti posjekotina, pukotina, stranih tijela, abnormalnih oteklina, vidljivih platna i drugih oštećenja.

Provjerite tlak u gumama prema određenom rasponu minimalnih i maksimalnih vrijednosti prikazanih na bočnoj strani gume (odgovarajući tlak mora biti prilagođen prema težini koju nosite, vremenskim uvjetima i površini ceste).

Pravilno napumpane gume, osim što poboljšavaju proklizavanje kotača, smanjuju rizik od bušenja i kvarenja.

## 10. Pohrana, održavanje i čišćenje

Kako bi se osigurala i održala dobra razina sigurnosti i funkcionalnosti bicikla, potrebno ga je redovito provjeravati i povremeno servisirati.

Neke provjere i zadatke servisiranja može izvršiti izravno korisnik ili svaka osoba koja ima osnovne mehaničke vještine, sposobnost i pristup pravim alatima.

Ostale operacije zahtijevaju stručnost i posebne alate kvalificiranog operatera.

Trgovac će moći pružiti sve informacije o provjerama koje korisnik može izvršiti izravno i predložiti koje rutinske zadatke održavanja treba periodički obavljati na temelju učestalosti korištenja bicikla i uvjeta njegove uporabe.

Sve radnje održavanja moraju se izvoditi s odvojenim akumulatorom i biciklom na postolju. Različiti dijelovi koji čine bicikl podložni su različitim vrstama trošenja tijekom uporabe.

Konkretno, treba redovito provjeravati i servisirati sljedeće komponente: gume, kotače, kočnice, sustav mjenjača, lanac i okvir.

Gazna površina **guma** postavljenih na bicikl može se potrošiti, što se može naglasiti načinom i gdje se koristi. Guma guma također ima tendenciju otvrdnjavanja tijekom vremena.

Ispravan tlak unutarnje zračnice u gumama treba stalno provjeravati kako bi se smanjio rizik od bušenja, ograničilo propadanje i osigurala sigurnija uporaba i performanse bicikla.

Povremeno provjerite stanje istrošenosti i starenja/propadanja guma te ih po potrebi zamijenite onima istih karakteristika.

Cjelovitost naplataka koji se isporučuju s biciklom mora se stalno provjeravati kako bi se osiguralo da nisu deformirani, napukli ili ulubljeni i/ili pokazuju bilo kakve druge znakove korozije i oštećenja zbog kojih ih je potrebno zamijeniti iz sigurnosnih razloga.

Kako biste osigurali održavanje dobre razine rada **kočnica**, osim redovite provjere stanja istrošenosti i cjelovitosti diskova i čeljusti, povremeno zamijenite kočione pločice ugrađene na odgovarajuće čeljusti kako biste postigli debljinu ne manju od 1 mm.

Ako je bicikl opremljen mehaničkim disk kočnicama, stanje istrošenosti čeličnih sajli na unutarnjoj strani omotača kočionog sustava mora se povremeno provjeravati i zamijeniti kako bi se spriječio rizik od loma.

Ako je bicikl opremljen hidrauličkim disk kočnicama i postoji smanjenje učinkovitosti kočenja, mineralno ulje u krugu hidrauličkog sustava mora se ispustiti i zamijeniti.

Ispravan rad mjenjača bicikla s električnim pogonom zajamčen je odgovarajućim održavanjem i podešavanjem relevantnih komponenti.

Kabel **sustava mjenjača** isporučen s proizvodom, koji je pod stalnim opterećenjem tijekom upotrebe i rada kao rezultat mehaničke napetosti, može lako izgubiti svoju postavku podešavanja. Ispravni radni uvjeti indeksiranog stražnjeg mjenjača zajamčeni su podešavanjem mjenjača (zaustavni vijci) i podešavanjem sajle za promjenu stupnja prijenosa.

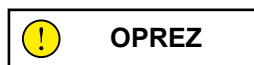
**Lanac** i odgovarajući pogonski zupčanici podložni su trošenju zbog uporabe i moraju se redovito čistiti i podmazivati posebnim proizvodima (nakapavanjem ili sprejom, suhim ili mokrim) prilagođenim godišnjem dobu i načinima uporabe proizvoda te povremeno mijenjati kako bi se jamče njihovu cjelovitost i osiguravaju nesmetan i tih rad.

Dotične dijelove podmažite tek nakon što su pravilno očišćeni i odmašćeni.

Zatim uklonite sav višak maziva ako ste koristili uljna maziva.

**Okvir** bicikla mora se redovito provjeravati kako bi se isključila prisutnost bilo kakvih znakova pucanja i/ili takozvanog "zamora materijala" kako bi se bilo koja intervencija potrebna za smanjenje i/ili uklanjanje rizika od oštećenja i/ili loma mogla odmah izvesti.

Svaki dio mehanizma za pričvršćivanje na biciklu treba pažljivo pregledati te napraviti preventivnu i povremenu generalnu provjeru ispravnosti zatezanja samozateznih matrica i vijaka za pričvršćivanje koji mogu izgubiti svoju učinkovitost korištenjem i tijekom vremena.



Sve kontrole moraju se provjeriti kako bi se osiguralo da ispravno rade nakon svake rutinske intervencije održavanja.

### **Napomene o održavanju**

Svaka radnja održavanja mora se obaviti s odspojenom baterijom.

Tijekom svake faze održavanja operateri moraju biti opremljeni potrebnom opremom za sprječavanje nezgoda. Alati koji se koriste za održavanje moraju biti prikladni i kvalitetni.

Nemojte koristiti benzin ili zapaljiva otapala kao sredstva za čišćenje, već uvijek koristite nezapaljiva i neotровна otapala. Ograničite upotrebu komprimiranog zraka što je više moguće i zaštitite se zaštitnim naočalama s bočnim štitnicima.

Nikada nemojte koristiti otvoreni plamen kao sredstvo za osvjetljavanje prilikom provjera ili radova na održavanju.

Nakon svakog održavanja ili podešavanja osigurajte da nema alata ili stranih tijela unutar organa za kretanje bicikla s pedalama.

Ovaj priručnik ne pruža detaljne informacije u vezi s rastavljanjem i izvanrednim održavanjem, budući da ove radnje uvijek mora obavljati isključivo osoblje službe za podršku ovlaštenog trgovca.

Služba za pomoć je u mogućnosti pružiti sve indikacije i odgovoriti na sve zahtjeve kako bi zbrinuli i održavali vaš bicikl s pedalom savršeno učinkovitim.



## OPREZ

### Čišćenje

Čišćenje bicikla s električnim pogonom nije samo stvar pristojnosti, već također omogućuje da se svi nedostaci odmah otkriju.

Baterija se mora odvojiti i ukloniti kako bi se pratio bicikl, po mogućnosti spužvom i/ili mekom krpom i vodom, uz mogući dodatak određenog neutralnog deterdženta i posebno pažljiv pri rukovanju električnim dijelovima.

Strogo je zabranjeno usmjeravati mlaz vode pod pritiskom na razne električne dijelove, motor, zaslon i bateriju. Nakon pranja, važno je osušiti sve oprane komponente, kao i okvir i kočione površine drugom mekom krpom i/ili potpuno osušiti komprimiranim zrakom pod niskim pritiskom i provjeriti da na električnim komponentama nije zaostala vlaga.

Ako na tijelu skutera ima mrlja, obrišite ga vlažnom krpom. Ako mrlje ostanu, nanesite neutralni sapun, iščetkajte sa četkicom za zube a zatim obrišite vlažnom krpom.

Ne čistite predmete alkoholom, benzinom, parafinom ili drugim korozivnim ili hlapljivim kemijskim otapalima kako biste spriječili ozbiljna oštećenja.



## OPASNOST

**Sve radnje čišćenja ciklusa potpomognutog električnom energijom moraju se izvoditi s uklonjenom baterijom.**

Voda koja curi u bateriju može oštetiti unutarnje krugove i izazvati požar ili eksploziju. Ako posumnjate da je voda ušla u bateriju odmah prestanite s njenom uporabom i odnesite je u službu nakon prodaje kod svog prodavača radi provjere.

### Čuvanje i skladištenje

Ako bicikl s električnim pogonom treba pohraniti i neće se koristiti dulje vrijeme, mora se držati u suhom, hladnom, zatvorenom prostoru, koji je po mogućnosti prozračan. Također je potrebno izvršiti sljedeće radnje:

- Provedite generalno čišćenje bicikla s električnim pogonom.
- Izvadite bateriju isporučenu s biciklom s električnim pogonom iz kućišta; koristite ključ ili prekidač (ako postoji) da ga deaktivirate, čuvajte ga u suhom okruženju, dalje od zapaljivih materijala (na primjer materijala koji mogu eksplodirati u plamenu), po mogućnosti na unutarnjoj temperaturi od 15-25 °C (temperatura mora nikada ne pada ispod 0 °C niti prelazi +45 °C) i provodite periodične cikluse punjenja kako biste spriječili pretjerani pad razine napona istog, što može uzrokovati oštećenje i gubitak učinkovitosti.
- Zaštitite izložene električne kontakte antioksidativnim proizvodima.
- Podmažite sve površine koje nisu zaštićene antikorozivnim bojama ili tretmanima.



## OPREZ

Ne držite i ne spremajte bicikl na otvorenom ili u vozilu dulje vrijeme. Pretjerano sunčevo svjetlo, pregrijavanje i pretjerana hladnoća ubrzavaju starenje guma i ugrožavaju trajanje i stavke i baterije. Nemojte ga izlagati kiši niti vodi niti ga uranjati u vodu radi pranja.

### Podizanje

Težina električno potpomognutog bicikla znači da ga moraju podizati dvije odrasle osobe, posebno pazeći kako bi se izbjegao rizik od osobne ozljede (prignječenje i ozljeda) ili oštećenja imovine (udarci i udarci).



## OPASNOST

### Prijevoz

Kako biste osigurali siguran prijevoz bicikla s pedalama, u putničkom prostoru vozila koje se koristi za prijevoz ili izvan njega (npr. nosač za bicikle), uz preventivno uklanjanje baterije i na njoj ugrađenih dodataka, izvršite relativno sidrenje upotrebom odgovarajućih materijala za pričvršćivanje (trake ili kabeli) i naprava za spajanje u dobrom stanju i instaliranih tako da ne oštećuju okvir, kabele i druge dijelove proizvoda.

Odgovornost je korisnika da utvrdi prikladnost opreme koja se koristi za prijevoz bicikla postavljanjem i ugradnjom uređaja (npr. nosača za bicikle) u skladu sa zakonskim zahtjevima zemlje u kojoj se vozi.

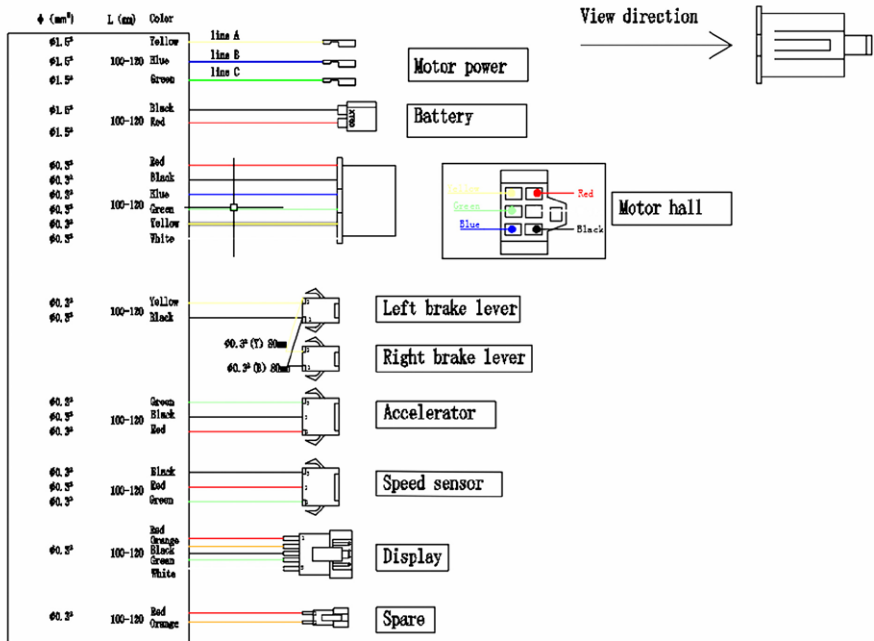


## OPREZ

Proizvođač nije odgovoran za bilo kakve lomove uzrokovane podizanjem i/ili transportom električno potpomognutog ciklusa nakon isporuke.

# 11. Dijagram povezivanja

## 250W Controller



## 12. Rješavanje problema

Indikator zaslona	Razlozi	Rješenja
Kočnice 	Označava da je kočnica uključena	/
	Poluga kočnice se ne vraća u normalan položaj	Pritisnite ručicu kočnice nekoliko puta da se vrati. Zamijenite novom polugom kočnicom
Kvar akceleratora 	Kabel akceleratora, akcelerator ili konektor su slomljeni/oštećeni	Zamijenite novom sajlom, akceleratorom
	Konektori između akceleratora i regulatora nisu dobro spojeni	Provjerite ispravnost spojeva
Kvar motora 	Motor ne radi	Zamijenite novim motorom
	Kabeli ili konektor su prekinuti/oštećeni	Zamijenite novim kabelom
	Motor Hall kabel nije dobro spojen ili je spojen pogrešno	Provjerite ispravnost spojeva
Kvar regulatora 	Regulator je pokvaren	Zamijenite novim regulatorom

## 13. Odgovornost i opći uvjeti jamstva

Vozač preuzima svu odgovornost za bilo kakvu ozljedu ako ne nosi kacigu ili druge zaštitna sredstva. Vozač mora poštovati važeće lokalne propise koji se odnose na:

1. minimalna dopuštena dob vozača,
2. ograničenja za vrste vozača koji mogu koristiti proizvod
3. svi ostali regulatorni aspekti

Vozač uvijek mora održavati proizvod čistim i u savršenom stanju učinkovitosti i održavanja, marljivo obavljati sigurnosne provjere za koje je odgovoran kao što je opisano u prethodnom odjeljku, ne dirati proizvod ni na koji način i čuvati sve dokumente o održavanju .

Tvrtka neće biti odgovorna za bilo kakvu prouzročenu štetu i ni na koji način nije odgovorna za štetu prouzročenu imovini ili osobama kada:

- proizvod se koristi nepravilno ili na način koji nije u skladu s uputama korisničkog priručnika;
- nakon kupnje, artikl je modificiran ili neovlašteno mijenjan u svim ili nekim dijelovima.

U slučaju neispravnosti proizvoda iz razloga koji se ne mogu pripisati nepravilnom ponašanju vozača i u slučaju da želite konzultirati opće uvjete jamstva, obratite se svom prodavaču ili posjetite web stranicu [www.platum.com/en/ducati-urban-e-mobility/](http://www.platum.com/en/ducati-urban-e-mobility/)

Pravno jamstvo nikada ne pokriva greške ili kvarove na proizvodu uzrokovane slučajnim događajima i/ili događajima koji se mogu pripisati kupcu ili zbog upotrebe proizvoda u nesukladnosti s njegovom namjenom i/ili s odredbama tehničke dokumentacije priložene uz proizvoda, ili zbog neuspjeha u reguliranju mehaničkih dijelova, prirodnog trošenja potrošnog materijala, ili zbog pogrešaka u montaži, nedostatka održavanja i/ili korištenja navedenog proizvoda u nepridržavanju uputa.

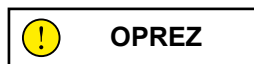
Na primjer, sljedeće se treba smatrati izuzetima iz zakonskog jamstva u vezi proizvoda:

- oštećenja uzrokovana udarcima, slučajnim padovima ili sudarima, probodima;
- oštećenja uzrokovana uporabom, izlaganjem ili skladištenjem u neprikladnom okruženju (npr. prisutnost kiše i/ili blata, izlaganje vlazi ili pretjeranoj toplini, kontakt s pijeskom ili drugim tvarima);
- oštećenja uzrokovana neprilagodбом mehaničkih dijelova, mehaničkih disk kočnica, upravljača, guma itd. za korištenje ceste i/ili održavanje; neispravna ugradnja i/ili sastavljanje dijelova i/ili komponenti;
- prirodno trošenje potrošnih materijala: mehaničke disk kočnice (npr. jastučići, čeljusti, rotor, sajle), gume, stalci, brtve, ležajevi, LED svjetla i žarulje, postolje, ručke, blatobrani, gumeni dijelovi, konektori kabela za ožičenje, rešetke i naljepnice itd.;
- nepravilno održavanje i/ili nepravilno korištenje baterije bicikla;
- neovlašteno diranje i/ili nametanje dijelova proizvoda;
- pogrešno ili neadekvatno održavanje ili izmjena proizvoda;
- nepravilna uporaba proizvoda (npr.: prekomjerni teret, uporaba u natjecanjima i/ili za komercijalne aktivnosti ili aktivnosti iznajmljivanja);

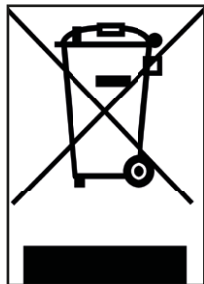
- održavanja, popravaka i/ili tehničkih zahvata na proizvodu od strane neovlaštenih trećih osoba;
- oštećenje proizvoda uzrokovano transportom, ako ga je izvršio kupac;
- štete i/ili nedostaci nastali korištenjem neoriginalnih dijelova.

Preporučamo da pogledate najnoviju verziju uvjeta i odredbi jamstva koja je dostupna na web stranici [www.platum.store/en/assistance](http://www.platum.store/en/assistance)

## 14. Informacije o zbrinjavanju



**Rukovanje električnim ili elektroničkim uređajem na kraju njegovog životnog vijeka (primjenjivo u svim zemljama Europske unije i drugim europskim sustavima s posebnim sustavima prikupljanja)**



Ovaj simbol na proizvodu ili pakiranju označava da se proizvod ne smije smatrati uobičajenim kućnim otpadom, već da ga treba odnijeti u postrojenje ovlašteno za odlaganje otpada od električne i elektroničke opreme (OEEO).

Osiguravanjem da se ova stavka ispravno odlaže pomoći ćete u sprječavanju potencijalnih negativnih posljedica po okoliš i ljudsko zdravlje koje, inače, mogu biti uzrokovane neodgovarajućim odlaganjem.

Recikliranje materijala pomaže u očuvanju prirodnih resursa.

Za detaljnije informacije o recikliranju i zbrinjavanju ove stavke možete kontaktirati lokalnu službu za zbrinjavanje otpada ili prodajno mjesto na kojem ste ga kupili.

U svakom slučaju, bacanje se mora obaviti sukladno zakonodavstvu koje je na snazi u zemlji kupnje.

Točnije, potrošači ne smiju odlagati OEEO kao komunalni otpad, već ovu vrstu otpada moraju odlagati odvojeno, na jedan od dva moguća načina:

- Odnošenjem u gradske sabirne centre (koje se nazivaju i eko-sabirni centri ili objekti za recikliranje), izravno ili putem službi za prikupljanje komunalnih poduzeća, ako su dostupne.
- Njegovim odnošenjem u prodavaonice koje prodaju novu električnu i elektroničku opremu.

Ovdje, veoma male stavke vrste WEEE (čija je najdulja strana manja od 25 cm) mogu se ostaviti besplatno dok se veće mogu ostaviti na temelju 1-za-1, tj. možete ostaviti staru stavku kada kupite novu koja ima istu funkciju.

Štoviše, način rada 1-na-1 uvijek je zajamčen kada potrošač kupi noviju EEE, bez obzira na veličinu WEEE-a.

U slučaju nepropisnog odlaganja električne ili elektroničke opreme mogu se primijeniti posebne sankcije predviđene važećim zakonodavstvom o zaštiti okoliša.

Ako OEEO sadrži baterije ili akumulatore, moraju se ukloniti i podvrgnuti posebnom odvojenom prikupljanju.



**OPREZ**

**Postupanje s istrošenim baterijama (primjenjivo u svim zemljama Europske unije i drugim europskim sustavima s posebnim sustavom prikupljanja)**



Ovaj simbol na proizvodu ili pakiranju pokazuje da se pakiranje ne treba tretirati kao normalni kućni otpad. Na nekim vrstama baterija ovaj se simbol može koristiti u kombinaciji s kemijskim simbolom.

Kemijski simboli za živu (Hg) ili olovo (Pb) dodaju se ako baterija sadrži više od 0,0005% žive ili 0,004% olova.

Osiguravanjem da se baterije odlažu ispravno pomoći ćete u sprječavanju mogućih negativnih posljedica po okoliš i ljudsko zdravlje koje, inače, mogu biti uzrokovane neodgovarajućim odlaganjem. Materijali za recikliranje će pomoći u očuvanju prirodnih izvora.

U slučaju proizvoda koji zbog sigurnosti, performansi ili zaštite podataka zahtijevaju fiksnu vezu s unutarnjom baterijom, navedenu bateriju smije zamijeniti samo kvalificirano servisno osoblje.

Proizvod na kraju njegovog životnog vijeka dostavite u sabirne centre prikladne za odlaganje električne i elektroničke opreme: to osigurava da se baterija unutar njega također pravilno tretira.

Za detaljnije informacije o zbrinjavanju prazne baterije obratite se lokalnoj službi za zbrinjavanje otpada ili trgovini u kojoj je baterija kupljena.

U svakom slučaju, bacanje se mora obaviti sukladno zakonodavstvu koje je na snazi u zemlji kupnje.

ONEBOT CYCLES SP. Z O.O.  
Stefana Zeromskiego 62/2 St., 50-312 Wrocław, Poland  
KRS:0000823959 NIP:8961592394



## EC Declaration of Conformity

This declaration of conformity is issued under the sole responsibility of the manufacturer.

Manufacturer: ONEBOT CYCLES SP. Z O.O.  
Stefana Zeromskiego 62/2 St., 50-312 Wrocław, Poland

Authorised representative: Platun By MT Distribution S.r.l  
Via Bargellino 10 C/D,40012, Calderara di Reno(BO)

Person authorized to compile the technical file: Platun By MT Distribution S.r.l  
Via Bargellino 10 C/D,40012, Calderara di Reno(BO)

Object of the declaration:

Model code	Generic denomination	Commercial name	Trademark	Serial Identification number(s) and/or batch number(s)
S9	E-BIK (Electrically power assisted cycle)	MG-20	DUCATI	312522303020101~ 312522303020460

The object of the declaration described above fulfils all the relevant provision of the following Directives  
Directive 2006/42/CE on machinery.

Directive 2014/30/EU on electromagnetic compatibility.

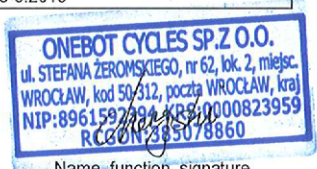
Directive 2011/65/EU on the restriction of the use of certain hazardous substances in electrical and electronic equipment

Harmonized standards or other technical specifications applied:

EN15194:2017	
EN55014-1:2017	EN55014-2:2015
EN61000-3-2:2014	EN61000-3-3:2013

Place of issue  
Wrocław, Poland

Date of Issue  
2023/3/10



Name, function, signature  
Cheng Shi, President



Imported and distributed by Platum S.p.A.  
via Bargellino 10, 40012, Calderara di Reno, (BO) Italy  
P.I. 04177060375 | C.F. 01119840377 | REA BO-236546  
Capitale Sociale 583.738 i.v.  
[www.platum.com](http://www.platum.com)

Ducati Motor Holding S.p.A. Official Licensed Product

The company accepts no responsibility for any errors, omissions, or inaccuracies contained in this document. Improper use of the information herein, as well as any damage resulting from misinterpretation or unauthorized modifications to the product, shall in no case be attributable to the company. We reserve the right to make technical changes or update the content without prior notice. Reproduction of any part of this manual is prohibited without the company's written authorization.