



User Manual

English | Italiano | Français | Hrvatski



reef
one

WATER SCOOTER

English

USE AND MAINTENANCE MANUAL

Instructions written in Italian.

1. Introduction

PLEASE READ THIS MANUAL CAREFULLY BEFORE USE AND KEEP IT CAREFULLY FOR FUTURE REFERENCE.

The manufacturer and distributor are not liable for damage caused and are not responsible for damage caused to property or persons. Check and comply with local navigation/bathing regulations and any restrictions in force in the place of use (e.g. bathing areas, prohibitions, minimum distance from bathers, launch corridors, areas reserved for boats, use of signalling devices).

The user is responsible for adopting a diligent and prudent behavior, evaluating before use:

- Weather and sea conditions (wind, waves, visibility, current).
- Crowding, boat traffic and the presence of obstacles.
- Swimming skills and psychophysical state.

Key recommendations:

- Always use a **suitable personal flotation device (life jacket)**.
- In the case of minors: use **only under constant adult supervision**.
- Never use alone in isolated areas – always keep a distance that allows immediate assistance.
- Maintain a speed and behavior appropriate to your abilities and the surrounding environment. Use in water involves risks of **drowning**, shocks and injuries – use extreme caution.
- If you experience tiredness, cramps or difficulties: discontinue use and return immediately.

2. Prohibitions

It is strictly forbidden:

- Use by children under 16 years of age.
- Use the product for other than intended uses (e.g. unauthorized towing, "extreme" use, jumps, intentional impacts).
- Use under the influence of alcohol, drugs, or medications that reduce attention and reflexes.
- Use in areas where there is a risk of fire/explosion or in corrosive/chemically active atmospheres.

3. Intended Use / Reasonably Foreseeable Misuse

3.1 Intended Use

Intended use includes:

- Use on the surface (or at shallow depth) by a single person who can swim. Caution: does not protect against drowning.
- Use in calm and controlled waters, with adequate visibility and away from obstacles, swimmers and boat traffic.
- Use with personal flotation device (life jacket) in accordance with local authority regulations.
- Use with tied hair because it can get caught in the suction grilles.
- Use in compliance with the limits declared by the manufacturer (see technical data sheet).

Any use not in accordance with the above is to be considered **improper**.

3.2 Reasonably foreseeable misuse

Reasonably foreseeable misuse is considered to be and is therefore prohibited:

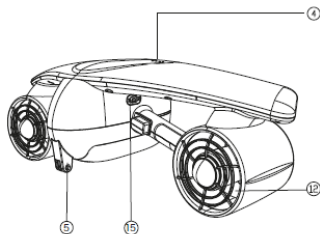
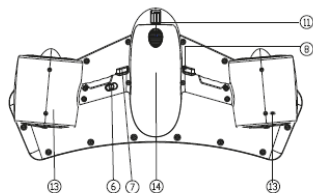
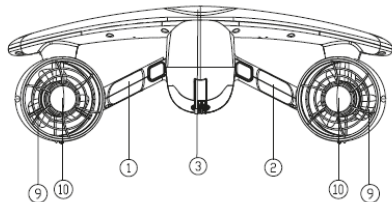
- Use the product as a means of rescue, handhold, or buoy.
- Towing other people, boards, inflatables or objects unless explicitly provided by the manufacturer.
- Use in crowded areas or near divers/snorkelers, launch corridors, piers, rocks, buoys, ropes, nets.
- Use in adverse weather and sea conditions (thunderstorms, lightning, strong winds, rough seas, strong currents, fog or poor visibility).
- Use at night or in low light conditions
- Approaching swimmers, divers, rocks, piers, ropes, nets, buoys or propellers of boats: serious risk of impact/entanglement.
- Insert hands, feet, hair, laces or objects into the suction/propulsion zone (grille/nozzle): risk of injury.
- Use if the product is damaged (cracks, loose parts, seepage, abnormal smell, overheating, unusual noises).
- Recharge the battery in an environment that is too hot or unventilated, cover the product while charging, smoke, or use an open flame near charging.
- Perform maintenance with the battery connected or with the product switched on.
- Modify or transform the product or its mechanical/electronic parts in any way.
- Remove or tamper with guards, safety grilles, warning and identification plates.
- Hook the product to the body with unintended systems (improvised ropes/straps) that can become entangled.
- Use with damaged, damp, or salty/corroded battery, connectors, or wiring;
- Open the battery compartment underwater;

- Recharge with wet/wet connectors or with an unsuitable charger;
- Leave unattended and accessible to children or unsuitable persons;
- Leave the product exposed to direct sunlight.

If you are in doubt about the suitability for use or environmental conditions, **do not use the product.**

4. Product description

The product is a double propeller water scooter designed for recreational swimming and snorkeling.



Parts list

(as in the figure):

1. Handle 1
2. Handle 2
3. Shell
4. Battery status indicator
5. GoPro Mount
6. Security lock
7. Throttle button 1
8. Throttle button 2
9. Powertrain
10. Front grille
11. Battery Cover Lock Slider
12. Propeller
13. Rear grille
14. Battery cover
15. Speed selector

5. Package Contents

- Water scooter (battery included)
- Charger
- Operation and maintenance manual

6. Before Use

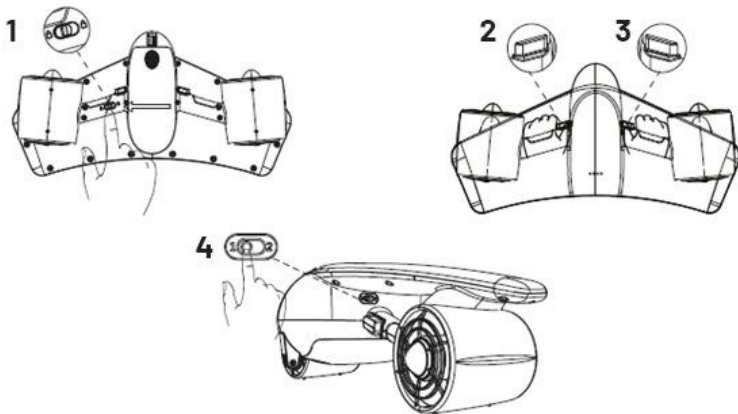
- Check that the battery is charged, if not, charge it;
- Check that the body, protections and battery cover are intact and well fixed;
- Check that the controls are working correctly and return to a safe position;
- Check that the battery and connectors are dry, clean and free of signs of damage/corrosion;
- Check that cables and gaskets are not pinched, cut or deformed.

Warning: If you detect defects, loose parts, unusual noise, seepage or any abnormality, **do not use** the product and contact support.

7. Use

With reference to the figure below, turn the safety lock (1) to ON. Press and hold both buttons (2 and 3) at the same time – the propellers start and the battery status indicators light up. Check that the operation is normal. To stop, release one or both buttons (2 and 3). After use, turn the safety lock (1) back to OFF.

To change speed, move the selector switch (4). Position 1 = low speed; Position 2 = high speed

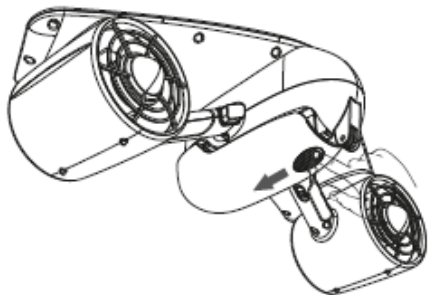


8. After use

After each use, take the product out of the water, rinse it with fresh water and dry it before storing. Do not use detergents. Dry with a damp cloth.

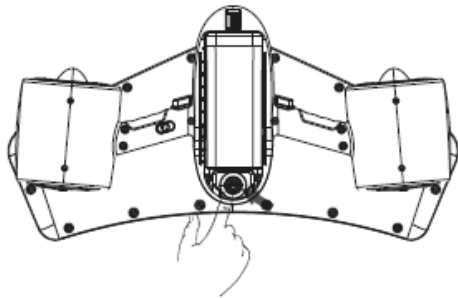
Charge the battery as soon as possible after use and remove the battery from the product during storage. Store the battery in a cool, dry place.

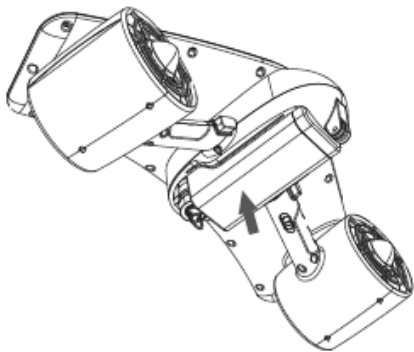
9. Battery Installation/Removal



Push the bottom slider forward to unlock the battery compartment cover.

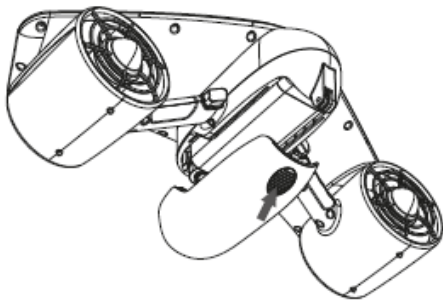
Insert the connector and screw/unscrew the ring nut.





Place/remove the battery in place.

Replace the cover and
lock with the bottom slider.



10. Recharge the battery

The product is supplied with a lithium-ion battery. To avoid any danger, it is advisable to protect it from: shocks, falls, punctures, compression, high temperatures, direct sunlight, cold, humidity, overload, overvoltage, external short circuit.

Before charging, make sure that the battery and connectors are dry and use only the original charger. Disconnect the battery from the charger once charging is complete.

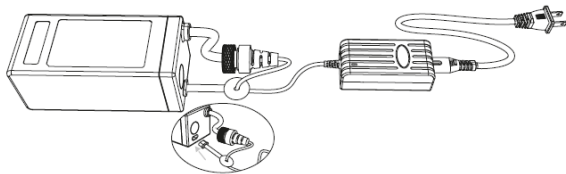
During charging, the charger light is red. The light turns green when the battery is fully charged.

Caution:

- Use only the original charger;
- Recharge only indoors, dry and ventilated, away from heat sources and flammable materials;
- Do not cover the charger or product when charging;
- If the cable is damaged, do not recharge the battery, contact service to replace it;
- Do not open the equipment: only qualified service personnel may do this.
- Do not insert the power cord plug if the charging port, power cord, or outlet is wet.

Charge status indicators

LED1	LED2	LED3	LED4	Battery level
■	■	■	■	75%-100%
■	■	■	□	50%-75%
■	■	□	□	25%-50%
■	□	□	□	0%-25%
□	□	□	□	0%



11. Washing and storage

Wash the product in fresh water without detergents. Unlock the safety lock (1) and press and hold both buttons (2 and 3) for 3 seconds, repeating 5-6 times. Dry with a damp cloth, then remove the battery and recharge it only when it is completely dry. Do not use pressure washers, high-pressure jets, or solvents.

Store the product in a well-ventilated place, away from direct sunlight and heat sources. Do not store the battery inside the device. Store the battery in a ventilated area, away from children, direct sunlight, heat, and ignition sources.

Do not leave the product in the sun in the car or in very hot environments.
Recharge the battery at least every 3 months during long periods of inactivity.

12. Technical specifications

- Weight (including battery): 4.5 kg
- Size: 540 × 280 × 190 mm (L×W×H)
- Maximum depth: 30 m
- Maximum speed: 0.8 m/s; 1.8 m/s
- Battery: Li-ion 21.6 V – 6000 mAh – 130 Wh
- Battery weight: 1.4 kg
- Maximum autonomy: 35 min
- Charger: 100–240 V input; Output 25.2V 2A
- Charging time: 3 hours
- Power: 2 x 300 W
- Thrust: 12 kgf
- Working temperature: 0 °C – 40 °C
- Feature: Self Floating

Notes:

The maximum autonomy is about 35 min at low speed (selector in position 1), it may vary according to the weight of the person and the weather conditions at sea.

With a view to continuous technological development, the manufacturer reserves the right to modify the product without prior notice.

13. Troubleshooting

PROBLEM	POSSIBLE CAUSES	IMMEDIATE ACTIONS (SAFELY)	WHEN TO CONTACT SUPPORT
Won't turn on/won't start	Lock button to OFF; low battery; battery not inserted; damp/dirty connectors; Electronic protection	Put lock button to ON; check battery LED; turn off (OFF), remove battery, dry battery + connectors, reinsert and tighten the ferrule; Wait 5–10 min and try again	If it does not start with a charged battery and dry connectors; abnormal odor, burn marks, or overheating
Starts but stops/intermittent	Nearly empty battery; thermal protection; unstable contacts (salt/corrosion); Partially blocked propeller (sand/algae)	Check LEDs; let cool 10–15 min; remove battery; rinse in fresh water; remove visible debris without inserting fingers into the <u>grates</u> ; Dry well	If the intermittent continues after cleaning and full battery; abnormal noises/loud vibrations
Excessive vibration / loud noise	Damaged/unbalanced propeller; foreign objects in the engine; deformed grid; loose parts	OFF + remove battery; inspect propeller/grids; rinse; Check that there are no loose parts	If the propeller/grid is broken or deformed; persistent vibrations

"Pull Little" / Low Speed	Low battery; speed set to low level (1); current/rough sea; Clogged grates	Check/recharge battery; check speed selector; rinse and clean grills/propellers; Still water test	If performance remains poor under normal conditions with a charged battery and clean powertrains
Battery LEDs off	Battery too low; dirty/oxidized/damp contacts; Faulty battery	Recharge with original charger; rinse any salt and dry perfectly; Reinsert battery	If the LEDs remain off after charging or persistent abnormal behavior
Battery not charging/charger not working	Outlet not powered; damaged charger/cable; wet/oxidized connectors; Temperature out of range	Try another grip; cable verification; Make sure connectors are dry; Bring to room temp. 15-25 °C and try again	If charger heats excessively, smells, does not charge with socket ok; damaged cable
Seepage / water or condensation inside the battery connector	Damaged gasket; incorrect assembly; bumps/cracks; corrosion	DANGER: Discontinue use; get out of the water; OFF; remove battery; dry and let it air; Do not recharge until completely dry	Always: if there is internal water/condensation or damaged seals
Lock button won't trip/button won't return	Sand/salt in mechanisms; Wear/deformation	OFF + battery removed; rinse abundantly in fresh water; it operates several times dry; Dry	If the command remains hard/stuck or unreliable
Overheating	Use out of water; very hot water; clogged grates; High load (strong current)	OFF; let cool in the shade; check and clean grilles/thrusters; Resume only if regular	If recurrent overheating under normal conditions

Caution

Discontinue use immediately and do not reuse the product until inspected by service if you observe: **burning/smoking smell, abnormal overheating, sudden strong vibration or metallic noises, seepage/condensation, or unreliable controls.**

14. Warranty

The product is guaranteed against manufacturing defects for 24 months from the date of purchase (with reference to the date of the receipt/invoice).

Any failures or malfunctions caused by accidental events and/or attributable to the user's responsibility or by use of the product that does not comply with its intended use and/or with the provisions of this manual, or due to natural wear and tear of wearable materials, lack of maintenance, are always excluded from the scope of the warranty.

The following are, for example, to be considered excluded from the warranty:

- Damage caused by bumps, accidental falls or collisions.
- Damage caused by use, exposure or storage in an inappropriate environment (e.g. presence of rain and/or mud, exposure to humidity, direct sunlight or excessive heat).
- The natural wear and tear of wearable materials: gaskets, bearings, wiring, cable connectors, adhesives, etc.
- The natural decay of battery capacity.

The warranty is also void:

- Improper maintenance and/or improper use of the battery.
- Tampering with and/or forcing parts of the product.
- The incorrect or inadequate modification of the product.

- Improper use of the product (see paragraph on improper/prohibited uses).
- Maintenance, repairs and/or technical interventions on the product carried out by unauthorized third parties.
- Damage resulting from transport.
- Damage and/or defects resulting from the use of non-original spare parts.

15. Disposal information

Do not dispose of this product as unsorted municipal waste: use separate collection facilities. Contact your local authority for information on available collection systems.

In the event of replacement with a new appliance, the retailer may be obliged to collect the used equipment free of charge according to applicable regulations.

Italiano

MANUALE DI USO E MANUTENZIONE

Istruzioni redatte in lingua italiana.

1. Introduzione

LEGGERE ATTENTAMENTE QUESTO MANUALE PRIMA DELL'UTILIZZO E CONSERVARE CON CURA PER UNA FUTURA CONSULTAZIONE.

Il produttore ed il distributore non rispondono dei danni causati e non sono responsabili dei danni provocati a cose o persone. Verificare e rispettare le **normative locali** di navigazione/balneazione e le eventuali limitazioni vigenti nel luogo di utilizzo (es. aree di balneazione, divieti, distanza minima da bagnanti, corridoi di lancio, aree riservate a natanti, utilizzo di dispositivi di segnalazione).

L'utilizzatore è responsabile dell'adozione di un comportamento diligente e prudente, valutando prima dell'utilizzo:

- Condizioni meteo-marine (vento, onde, visibilità, corrente).
- Affollamento, traffico nautico e presenza di ostacoli.
- Proprie capacità natatorie e stato psicofisico.

Raccomandazioni fondamentali:

- Utilizzare sempre un **dispositivo di galleggiamento personale (giubbotto salvagente)** adeguato.
- In caso di minori: utilizzare **solo sotto supervisione costante di un adulto**.
- Non utilizzare mai da soli in aree isolate: mantenere sempre una distanza che consenta assistenza immediata.
- Tenere una velocità e un comportamento adeguati alle proprie capacità e all'ambiente circostante. L'uso in acqua comporta rischi di **annegamento**, urti e lesioni: prestare la massima attenzione.
- In caso di stanchezza, crampi o difficoltà: interrompere l'uso e rientrare immediatamente.

2. Divieti

È severamente vietato:

- L'utilizzo ai minori di 16 anni.
- Utilizzare il prodotto per impieghi diversi da quelli previsti (es. traino non autorizzato, uso "estremo", salti, urti intenzionali).
- Utilizzare sotto l'effetto di alcool, droghe o farmaci che riducono attenzione e riflessi.
- Utilizzare in aree soggette a rischio di incendi/esplosioni o in atmosfere corrosive/chimicamente attive.

3. Uso previsto / Uso improprio ragionevolmente prevedibile

3.1 Uso previsto

L'uso previsto comprende:

- Utilizzo in superficie (o a bassa profondità) da parte di una sola persona in grado di nuotare. Attenzione: non protegge dall'annegamento.
- Utilizzo in acque calme e controllate, con adeguata visibilità e lontano da ostacoli, bagnanti e traffico nautico.
- Utilizzo con dispositivo di galleggiamento personale (giubbotto salvagente) conforme alle disposizioni delle autorità locali.
- Utilizzo con capelli legati perché possono impigliarsi nelle grigli di aspirazione.
- Utilizzo nel rispetto dei limiti dichiarati dal costruttore (vedi scheda tecnica).

Qualsiasi utilizzo non conforme a quanto sopra è da intendersi **improprio**.

3.2 Uso improprio ragionevolmente prevedibile

Sono considerati usi impropri ragionevolmente prevedibili, ed è pertanto vietato:

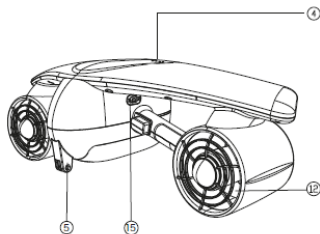
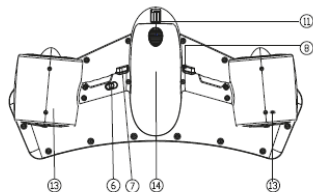
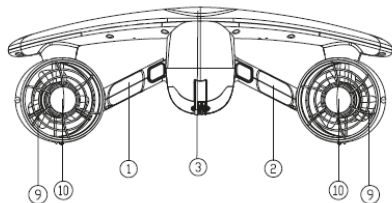
- Utilizzare il prodotto come mezzo di salvataggio, appiglio o boa.
- Trainare altre persone, tavole, gonfiabili o oggetti salvo esplicita previsione del costruttore.
- Utilizzare in aree affollate o vicino a sub/snorkeler, corridoi di lancio, moli, scogli, boe, cime, reti.
- Utilizzare in condizioni meteo-marine avverse (temporali, fulmini, vento forte, mare mosso, forte corrente, nebbia o scarsa visibilità).
- Utilizzare in notturna o in condizioni di scarsa illuminazione
- Avvicinarsi a bagnanti, sub, scogli, moli, cime, reti, boe o eliche di imbarcazioni: rischio grave di impatto/impigliamento.
- Inserire mani, piedi, capelli, lacci o oggetti nella zona di aspirazione/propulsione (griglia/ugello): rischio di lesioni.
- Utilizzare se il prodotto è danneggiato (crepe, parti allentate, infiltrazioni, odore anomalo, surriscaldamento, rumori insoliti).
- Ricaricare la batteria in ambiente troppo caldo o non ventilato, coprire il prodotto durante la ricarica, fumare o usare fiamme libere vicino alla ricarica.
- Eseguire manutenzione con la batteria collegata o con il prodotto acceso.
- Modificare o trasformare in alcun modo il prodotto o le sue parti meccaniche/elettroniche.
- Rimuovere o manomettere protezioni, griglie di sicurezza, targhette di avvertimento e identificazione.
- Agganciare il prodotto al corpo con sistemi non previsti (corde/cinghie improvvisate) che possono impigliarsi.
- Usare con batteria, connettori o cablaggi danneggiati, umidi o con tracce di sale/corrosione;

- Aprire il vano batteria sott'acqua;
- Ricaricare con connettori bagnati/umidi o con caricabatterie non idoneo;
- Lasciare incustodito e accessibile a bambini o persone non idonee;
- Lasciare il prodotto esposto alla luce solare diretta.

In caso di dubbio sull'idoneità all'uso o sulle condizioni ambientali, **non utilizzare il prodotto.**

4. Descrizione prodotto

Il prodotto è un acqua scooter a doppia elica progettato per nuoto e snorkeling ricreativo.



Elenco componenti
(come in figura):

1. Impugnatura 1
2. Impugnatura 2
3. Scocca
4. Indicatore stato batteria
5. Supporto GoPro
6. Blocco di sicurezza
7. Pulsante acceleratore 1
8. Pulsante acceleratore 2
9. Propulsore
10. Griglia anteriore
11. Corsore blocco coperchio batteria
12. Elica
13. Griglia posteriore
14. Coperchio batteria
15. Selettore velocità

5. Contenuto della confezione

- Acqua scooter (batteria inclusa)
- Caricabatterie
- Manuale d'uso e manutenzione

6. Prima dell'utilizzo

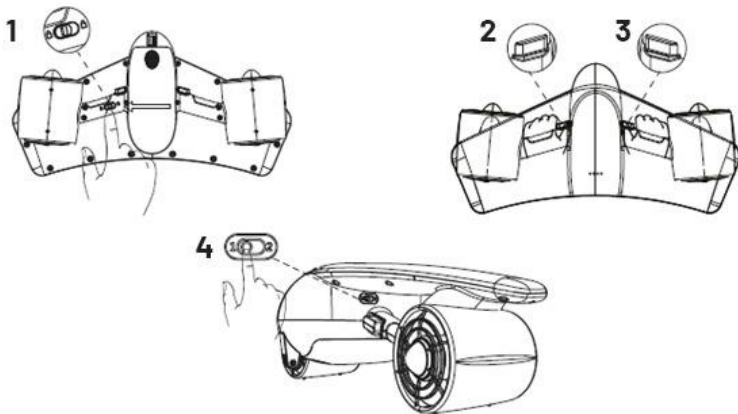
- Verificare che la batteria sia carica, in caso contrario, caricarla;
- Verificare che scocca, protezioni e coperchio batteria siano integri e ben fissati;
- Verificare che i comandi funzionino correttamente e ritornino in posizione di sicurezza;
- Verificare che batteria e connettori siano asciutti, puliti e senza segni di danneggiamento/corrosione;
- Verificare che cavi e guarnizioni non siano pizzicati, tagliati o deformati.

Attenzione: Se si rilevano difetti, parti allentate, rumori insoliti, infiltrazioni o qualunque anomalia, **non utilizzare** il prodotto e contattare l'assistenza.

7. Utilizzo

Con riferimento alla figura sotto, portare il blocco di sicurezza (1) su ON. Tenere premuti contemporaneamente entrambi i pulsanti (2 e 3): le eliche si avviano e gli indicatori di stato batteria si accendono. Verificare che il funzionamento sia regolare. Per arrestare, rilasciare uno o entrambi i pulsanti (2 e 3). Dopo l'uso, riportare il blocco di sicurezza (1) su OFF.

Per cambiare velocità spostare il selettore (4). Posizione 1 = bassa velocità; Posizione 2 = alta velocità



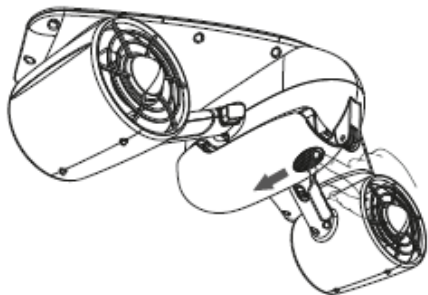
8. Dopo l'utilizzo

Dopo ogni utilizzo, estrarre il prodotto dall'acqua, sciacquarlo con acqua dolce e asciugarlo prima di riportarlo. Non utilizzare detersivi. Asciugare con un panno umido.

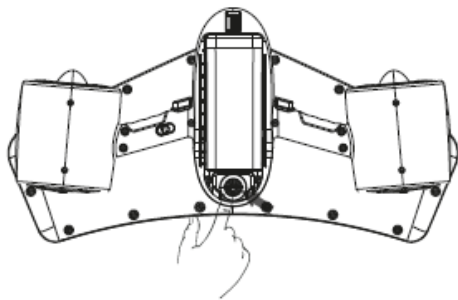
Caricare la batteria il prima possibile dopo l'uso e rimuovere la batteria dal prodotto durante il rimessaggio.

Conservare la batteria in un luogo fresco e asciutto.

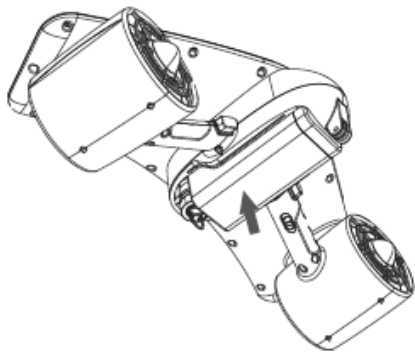
9. Installazione/rimozione batteria



Spingere in avanti il cursore inferiore per sbloccare il coperchio del vano batteria.

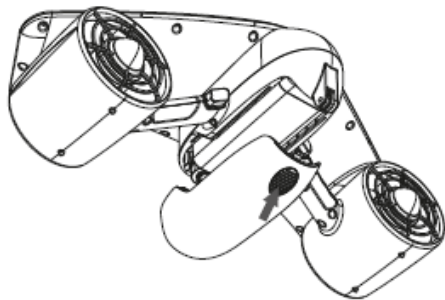


Inserire il connettore ed avvitare/svitare la ghiera.



Posizionare/rimuovere la batteria in sede.

Riposizionare il coperchio e bloccare con il cursore inferiore.



10. Ricaricare la batteria

Il prodotto è fornito con una batteria agli ioni di litio. Per evitare qualsiasi pericolo, è opportuno proteggerla da: urti, cadute, forature, compressione, temperature elevate, luce solare diretta, freddo, umidità, sovraccarico, sovratensione, cortocircuito esterno.

Prima della ricarica, assicurarsi che batteria e connettori siano asciutti ed utilizzare esclusivamente il caricatore originale. Scollegare la batteria dal caricatore una volta completata la ricarica.

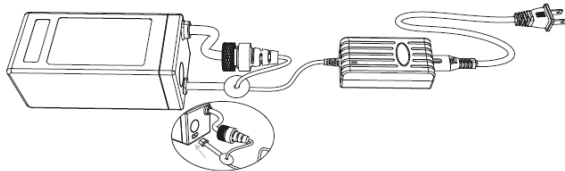
Durante la carica la spia del caricatore è rossa. La luce diventa verde quando la batteria è completamente carica.

Attenzione:

- Utilizzare esclusivamente il caricatore originale;
- Ricaricare solo in ambiente interno, asciutto e ventilato, lontano da fonti di calore e materiali infiammabili;
- Non coprire il caricabatterie o il prodotto durante la ricarica;
- Se il cavo è danneggiato, non ricaricare la batteria, contattare l'assistenza per sostituirlo;
- Non aprire l'apparecchiatura: interventi consentiti solo a personale tecnico qualificato.
- Non inserire la spina del cavo di alimentazione se la porta di ricarica, il cavo di alimentazione o la presa sono bagnati.

Indicatori stato di carica

LED1	LED2	LED3	LED4	Battery level
■	■	■	■	75%-100%
■	■	■	□	50%-75%
■	■	□	□	25%-50%
■	□	□	□	0%-25%
□	□	□	□	0%



11. Lavaggio e conservazione

Lavare il prodotto in acqua dolce senza detersivi. Sbloccare il blocco di sicurezza (1) e tenere premuti entrambi i pulsanti (2 e 3) per 3 secondi, ripetendo 5-6 volte. Asciugare con un panno umido, quindi rimuovere la batteria e ricaricarla solo quando è completamente asciutta. Non utilizzare idropultrici, getti ad alta pressione o solventi.

Conservare il prodotto in un luogo ben ventilato, lontano da luce solare diretta e fonti di calore. Non conservare la batteria all'interno del dispositivo. Conservare la batteria in un'area ventilata, lontano da bambini, luce solare diretta, calore e fonti di innesco.

Non lasciare il prodotto al sole in auto o in ambienti molto caldi.

Ricaricare la batteria almeno ogni 3 mesi durante lunghi periodi di inattività.

12. Specifiche tecniche

- Peso (inclusa batteria): 4,5 kg
- Dimensioni: 540 × 280 × 190 mm (L×W×H)
- Profondità massima: 30 m
- Velocità massima: 0,8 m/s; 1,8 m/s
- Batteria: Li-ion 21,6 V – 6000 mAh – 130 Wh
- Peso batteria: 1,4 kg
- Autonomia massima: 35 min
- Caricabatterie: Ingresso 100–240 V; Uscita 25,2 V 2 A
- Tempo di ricarica: 3 ore
- Potenza: 2 x 300 W
- Spinta: 12 kgf
- Temperatura di lavoro: 0 °C – 40 °C
- Caratteristica: auto galleggiante

Note:

L'autonomia massima è circa 35 min a bassa velocità (selettore in posizione 1), può variare in base al peso della persona e alle condizioni meteo marine.

Nell'ottica del continuo sviluppo tecnologico, il costruttore si riserva di modificare il prodotto senza preavviso.

13. Risoluzione dei problemi

PROBLEMA	POSSIBILI CAUSE	AZIONI IMMEDIATE (IN SICUREZZA)	QUANDO CONTATTARE ASSISTENZA
Non si accende / non parte	Pulsante di blocco su OFF; batteria scarica; batteria non inserita; connettori umidi/sporchi; protezione elettronica intervenuta	Metti pulsante di blocco su ON; controlla LED batteria; spegni (OFF), rimuovi batteria, asciuga batteria + connettori, reinserisci e serra la ghiera; attendi 5–10 min e riprova	Se non parte con batteria carica e connettori asciutti; odore anomalo, segni di bruciatura o surriscaldamento
Parte ma si ferma / intermittente	Batteria quasi scarica; protezione termica; contatti instabili (sale/corrosione); elica parzialmente bloccata (sabbia/alghe)	Controlla LED; lascia raffreddare 10–15 min; rimuovi batteria; risciacqua in acqua dolce; rimuovi detriti visibili senza inserire dita nelle griglie; asciuga bene	Se l'intermittenza continua dopo pulizia e batteria carica; rumori anomali/vibrazioni forti
Vibrazioni eccessive / rumore forte	Elica danneggiata/sbilanciata; corpi estranei nel propulsore;	OFF + rimuovi batteria; ispeziona elica/griglie;	Se elica/griglia sono rotte o deformate; vibrazioni persistenti

	griglia deformata; parti allentate	risciacqua; verifica che non ci siano parti allentate	
“Tira poco” / velocità bassa	Batteria scarica; velocità impostata su livello basso (1); corrente/mare mosso; griglie ostruite	Controlla/ricarica batteria; verifica selettore velocità; risciacqua e pulisci griglie/eliche; prova in acqua calma	Se prestazioni restano scarse in condizioni normali con batteria carica e propulsori puliti
LED batteria spenti	Batteria troppo scarica; contatti sporchi/ossidati/umidi; batteria difettosa	Ricarica con caricatore originale; risciacqua eventuale sale e asciuga perfettamente; reinserisci batteria	Se dopo ricarica i LED restano spenti o comportamento anomalo persistente
Batteria non si carica / caricatore non funziona	Presenza non alimentata; caricatore/cavo danneggiato; connettori umidi/ossidati; temperatura fuori range	Prova altra presa; verifica cavo; assicurati che connettori siano asciutti; porta a temp. ambiente 15-25 °C e riprova	Se caricatore scalda eccessivamente, odora, non carica con presa ok; cavo danneggiato
Infiltrazioni / acqua o condensa all'interno del connettore batteria	Guarnizione danneggiata; montaggio errato; urti/crepe; corrosione	PERICOLO: interrompi uso; esci dall'acqua; OFF; rimuovi batteria; asciuga e lascia aerare; non ricaricare finché completamente asciutto	Sempre: se c'è acqua interna/condensa o guarnizioni danneggiate
Pulsante di blocco non scatta / pulsante non ritorna	Sabbia/sale nei meccanismi; usura/deformazione	OFF + batteria rimossa; risciacqua abbondante in acqua dolce; aziona più volte a secco; asciuga	Se comando resta duro/bloccato o non affidabile

Surriscaldamento	Uso fuori dall'acqua; acqua molto calda; griglie ostruite; carico elevato (corrente forte)	OFF; lascia raffreddare in ombra; controlla e pulisci griglie/propulsori; riprendi solo se regolare	Se surriscaldamento ricorrente in condizioni normali
-------------------------	--	---	--

Attenzione

Interrompere immediatamente l'uso e non riutilizzare il prodotto finché non controllato dall'assistenza se si osservano: **odore di bruciato/fumo, surriscaldamento anomalo, vibrazioni forti improvvise o rumori metallici, infiltrazioni/condensa**, oppure **comandi non affidabili**.

14. Garanzia

Il prodotto è garantito sui difetti di fabbricazione per 24 mesi dalla data di acquisto (con riferimento alla data dello scontrino/fattura).

Sono sempre esclusi dal campo di applicazione della garanzia eventuali guasti o malfunzionamenti causati da fatti accidentali e/o ascrivibili a responsabilità dell'utilizzatore ovvero da un uso del prodotto non conforme alla sua destinazione d'uso e/o a quanto previsto nel presente manuale, ovvero dovuti a naturale usura dei materiali logorabili, carenza di manutenzione.

Sono, per esempio, da considerarsi esclusi dalla garanzia:

- I danni causati da urti, cadute accidentali o collisioni.
- I danni causati da utilizzo, esposizione o rimessaggio in ambiente non adeguato (es: presenza di pioggia e/o fango, esposizione all'umidità, alla luce solare diretta o a fonte di calore eccessiva).
- La naturale usura dei materiali logorabili: guarnizioni, cuscinetti, cablaggi, connettori dei cavi, adesivi, ecc.
- Il naturale decadimento della capacità della batteria.

Fanno altresì decadere la garanzia:

- La manutenzione impropria e/o l'uso improprio della batteria.
- La manomissione e/o la forzatura di parti del prodotto.
- La modificazione scorretta o non adeguata del prodotto.
- L'utilizzo improprio del prodotto (vedi paragrafo sugli usi impropri/vietati).
- Manutenzioni, riparazioni e/o interventi tecnici sul prodotto effettuati da soggetti terzi non autorizzati.
- Danni derivanti dal trasporto.
- Danni e/o difetti derivanti dall'uso di parti di ricambio non originali.

15. Indicazioni di smaltimento

Non smaltire questo prodotto come rifiuto urbano indifferenziato: utilizzare impianti di raccolta differenziata.

Contattare l'ente locale per informazioni sui sistemi di raccolta disponibili.

In caso di sostituzione con nuovo apparecchio, il rivenditore può essere obbligato al ritiro gratuito dell'usato secondo normativa applicabile.

Français

MANUEL D'UTILISATION ET D'ENTRETIEN

Instructions écrites en italien.

1. Introduction

VEUILLEZ LIRE ATTENTIVEMENT CE MANUEL AVANT VOTRE UTILISATION ET LE CONSERVER AVEC PRÉCAUTION POUR RÉFÉRENCE FUTURE.

Le fabricant et le distributeur ne sont pas responsables des dommages causés et ne sont pas responsables des dommages causés à des biens ou à des personnes. Vérifier et respecter les **réglementations locales de navigation/bain ainsi que toute restriction en vigueur sur le lieu d'utilisation (par exemple, zones de bain, interdictions, distance minimale avec les baigneurs, couloirs de mise à l'eau, zones réservées aux bateaux, utilisation de dispositifs de signalisation).**

L'utilisateur est responsable d'adopter un comportement diligent et prudent, en évaluant avant l'utilisation :

- Conditions météorologiques et de mer (vent, vagues, visibilité, courant).
- Affluence, trafic de bateaux et présence d'obstacles.
- Compétences en natation et état psychophysique.

Recommandations clés :

- Utilisez toujours un **dispositif de flottaison personnel approprié (gilet de sauvetage).**
- Dans le cas des mineurs : consommez-les **uniquement sous surveillance constante d'un adulte.**
- Ne jamais utiliser seul dans des zones isolées – gardez toujours une distance qui permet une assistance immédiate.
- Maintenez une vitesse et un comportement adaptés à vos capacités et à l'environnement qui vous entoure. L'utilisation dans l'eau comporte des risques de **noyade**, de chocs et de blessures – soyez extrêmement prudent.

- Si vous ressentez de la fatigue, des crampes ou des difficultés : arrêtez votre utilisation et revenez immédiatement.

2. Interdictions

Il est strictement interdit :

- Utilisation par les enfants de moins de 16 ans.
- Utilisez le produit pour d'autres usages que prévus (par exemple, remorquage non autorisé, usage « extrême », sauts, impacts intentionnels).
- Consommer sous l'influence de l'alcool, des drogues ou des médicaments qui réduisent l'attention et les réflexes.
- À utiliser dans des zones où il y a un risque d'incendie/explosion ou dans des atmosphères corrosives ou chimiquement actives.

3. Utilisation prévue / Utilisation abusive raisonnablement prévisible

3.1 Usage prévu

L'utilisation prévue comprend :

- À utiliser en surface (ou à faible profondeur) par une seule personne capable de nager. Attention : ne protège pas contre la noyade.
- À utiliser en eaux calmes et contrôlées, avec une visibilité adéquate et à l'abri des obstacles, des nageurs et du trafic des bateaux.
- Utiliser avec un dispositif de flottaison personnel (gilet de sauvetage) conformément à la réglementation des autorités locales.
- Utilisez avec des cheveux attachés car ils peuvent se coincer dans les grilles d'aspiration.
- Utilisation en conformité avec les limites déclarées par le fabricant (voir fiche technique).

Toute utilisation non conforme à ce qui précède doit être considérée **comme inappropriée**.

3.2 Utilisation abusive raisonnablement prévisible

L'utilisation raisonnablement prévisible est considérée comme étant et est donc interdite :

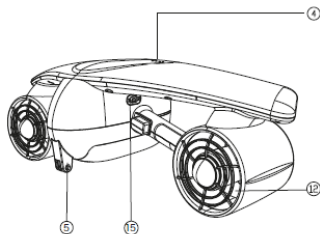
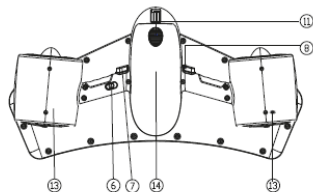
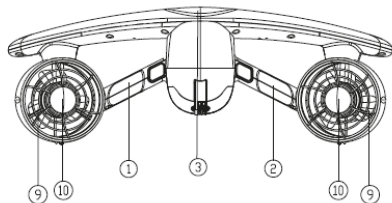
- Utilisez le produit comme moyen de sauvetage, de prise à la main ou de bouée.
- Remorquer d'autres personnes, planches, gonflables ou objets sauf indication explicite du fabricant.
- Utilisation dans des zones bondées ou près de plongeurs/plongeurs, couloirs de lancement, quais, rochers, bouées, cordes, filets.
- Utilisation en conditions météorologiques et de mer défavorables (orages, éclairs, vents forts, mer agitée, courants forts, brouillard ou mauvaise visibilité).
- Utilisation la nuit ou en conditions de faible lumière
- Approcher des nageurs, plongeurs, rochers, quais, cordes, filets, bouées ou hélices de bateaux : risque sérieux d'impact ou d'emmêlement.
- Insérez mains, pieds, cheveux, lacets ou objets dans la zone d'aspiration/propulsion (grille/buse) : risque de blessure.
- À utiliser si le produit est endommagé (fissures, pièces lâches, infiltration, odeur anormale, surchauffe, bruits inhabituels).
- Rechargez la batterie dans un environnement trop chaud ou non ventilé, couvrez le produit pendant la charge, fumez ou utilisez une flamme ouverte près de la charge.
- Effectuez la maintenance avec la batterie connectée ou le produit allumé.
- Modifiez ou transformez le produit ou ses pièces mécaniques/électroniques de quelque manière que ce soit.

- Retirez ou trafiquez les protections, grilles de sécurité, plaques d'avertissement et d'identification.
- Accrochez le produit au corps avec des systèmes involontaires (cordes ou sangles improvisées) qui peuvent s'emmêler.
- Utilisez avec une batterie, des connecteurs ou des câbles endommagés, humides ou salés/corrodés ;
- Ouvrir le compartiment des batteries sous l'eau ;
- Rechargez avec des connecteurs humides/humides ou avec un chargeur inadapté ;
- Laisser les enfants sans surveillance et accessibles aux enfants ou aux personnes inaptes ;
- Laissez le produit exposé directement au soleil.

Si vous avez des doutes sur votre adéquation ou les conditions environnementales, **n'utilisez pas le produit.**

4. Description du produit

Le produit est un scooter hydraulique à double hélice conçu pour la baignade récréative et la plongée en apnée.



Liste des pièces

(comme sur la figure) :

1. Poignée 1
2. Poignée 2
3. Coquille
4. Indicateur d'état de la batterie
5. Supporter GoPro
6. Verrouillage de sécurité
7. Bouton des gaz 1
8. Bouton des gaz 2
9. Groupe motopropulseur
10. Calandre avant
11. Curseur de verrouillage du couvercle de batterie
12. Hélice
13. Calandre arrière
14. Couvercle de batterie
15. Sélecteur de vitesse

5. Contenu du colis

- Trotinette aquatique (batterie incluse)
- Charger
- Manuel d'exploitation et de maintenance

6. Avant utilisation

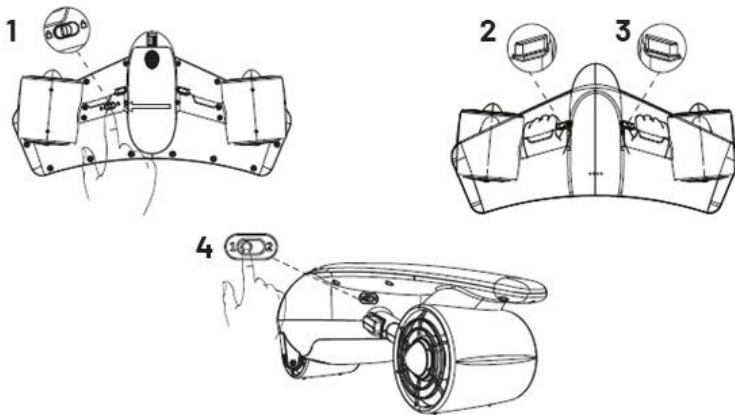
- Vérifiez que la batterie est chargée, sinon, chargez-la ;
- Vérifiez que la carrosserie, les protections et le couvercle de la batterie sont intacts et bien réparés ;
- Vérifiez que les commandes fonctionnent correctement et revenez en position sûre ;
- Vérifiez que la batterie et les connecteurs sont secs, propres et sans signes de dommages ou de corrosion ;
- Vérifiez que les câbles et joints ne sont pas pincés, coupés ou déformés.

Avertissement : Si vous détectez des défauts, des pièces lâches, un bruit inhabituel, des infiltrations ou toute anomalie, **n'utilisez pas** le produit et contactez le support.

7. Utilisation

En se référant à la figure ci-dessous, tournez la sécurité (1) sur ON. Appuyez et maintenez les deux boutons (2 et 3) en même temps – les hélices démarrent et les indicateurs d'état de la batterie s'allument. Vérifiez que l'opération est normale. Pour arrêter, relâchez un ou les deux boutons (2 et 3). Après utilisation, remettez le verrou de sécurité (1) en mode OFF.

Pour changer la vitesse, déplacez le sélecteur (4). Position 1 = basse vitesse ; Position 2 = grande vitesse

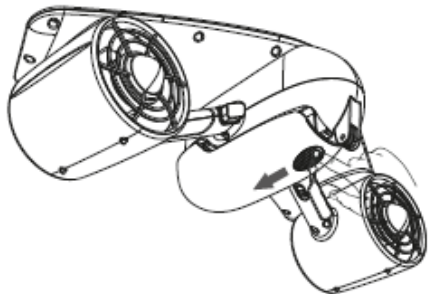


8. Après utilisation

Après chaque utilisation, sortez le produit de l'eau, rincez-le à l'eau fraîche et séchez-le avant de le stocker. N'utilisez pas de détergents. Sécher avec un chiffon humide.

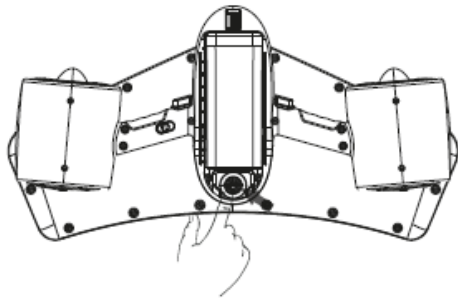
Rechargez la batterie dès que possible après l'utilisation et retirez la batterie du produit pendant le stockage. Rangez la batterie dans un endroit frais et sec.

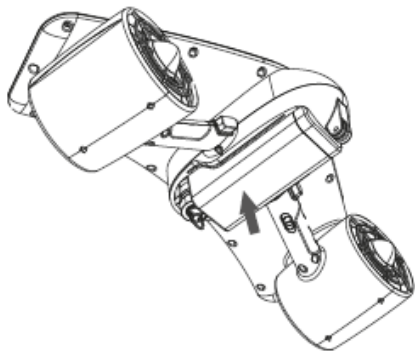
9. Installation/retrait de la batterie



Poussez le curseur inférieur vers l'avant pour déverrouiller le couvercle du compartiment à piles.

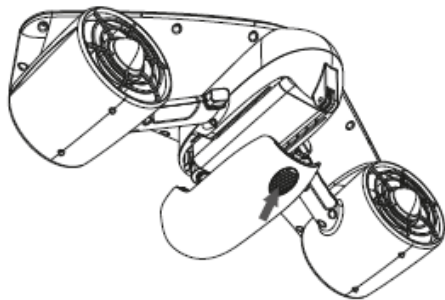
Insérez le connecteur et vissez/dévissez l'écrou annulaire.





Placez/retirez la batterie en place.

Remplacez le couvercle et
Verrouille avec le curseur du bas.



10. Rechargez la batterie

Le produit est fourni avec une batterie lithium-ion. Pour éviter tout danger, il est conseillé de la protéger contre : chocs, chutes, perforations, compression, hautes températures, lumière directe du soleil, froid, humidité, surcharge, surtension, court-circuit externe.

Avant de charger, assurez-vous que la batterie et les connecteurs sont secs et utilisez uniquement le chargeur d'origine. Débranchez la batterie du chargeur une fois la charge terminée.

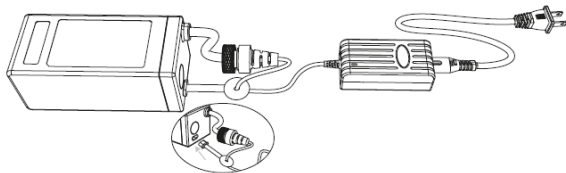
Pendant la charge, le voyant de charge est rouge. Le voyant devient vert lorsque la batterie est complètement chargée.

Attention :

- N'utilisez que le chargeur d'origine ;
- Recharger uniquement à l'intérieur, sec et ventilé, loin des sources de chaleur et des matériaux inflammables ;
- Ne couvrez pas le chargeur ni le produit lors de la recharge ;
- Si le câble est endommagé, ne rechargez pas la batterie, contactez le service pour le remplacer ;
- N'ouvrez pas l'équipement : seul le personnel qualifié peut le faire.
- Ne pas insérer la prise du câble d'alimentation si le port de charge, le cordon d'alimentation ou la prise sont mouillés.

Indicateurs d'état de charge

LED1	LED2	LED3	LED4	Battery level
■	■	■	■	75%-100%
■	■	■	□	50%-75%
■	■	□	□	25%-50%
■	□	□	□	0%-25%
□	□	□	□	0%



11. Lavage et stockage

Lavez le produit à l'eau fraîche sans détergents. Déverrouillez la sécurité (1) et maintenez les deux boutons (2 et 3) pendant 3 secondes, répétant 5 à 6 fois. Séchez avec un chiffon humide, puis retirez la batterie et rechargez-la seulement lorsqu'elle est complètement sèche. N'utilisez pas de nettoyeurs haute pression, de jets haute pression ou de solvants.

Conservez le produit dans un endroit bien ventilé, à l'abri du soleil direct et des sources de chaleur. Ne stockez pas la batterie à l'intérieur de l'appareil. Rangez la batterie dans un endroit ventilé, loin des enfants, du soleil direct, de la chaleur et des sources d'allumage.

Ne laissez pas le produit au soleil, dans la voiture ou dans des environnements très chauds. Rechargez la batterie au moins tous les 3 mois lors de longues périodes d'inactivité.

12. Spécifications techniques

- Poids (batterie incluse) : 4,5 kg
- Dimensions : 540 × 280 × 190 mm (L×A×H)
- Profondeur maximale : 30 m
- Vitesse maximale : 0,8 m/s ; 1,8 m/s
- Batterie : Li-ion 21,6 V – 6000 mAh – 130 Wh
- Poids de la batterie : 1,4 kg
- Autonomie maximale : 35 min
- Chargeur : entrée 100–240 V ; Sortie 25,2V 2A
- Temps de recharge : 3 heures
- Puissance : 2 x 300 W
- Poussée : 12 kgf
- Température de travail : 0 °C – 40 °C
- Caractéristique : Flottement autonome

Notes :

L'autonomie maximale est d'environ 35 minutes à basse vitesse (sélecteur en position 1), elle peut varier selon le poids de la personne et les conditions météorologiques en mer.

En vue d'un développement technologique continu, le fabricant se réserve le droit de modifier le produit sans préavis.

13. Dépannage

PROBLÈME	CAUSES POSSIBLES	ACTIONS IMMÉDIATES (EN TOUTE SÉCURITÉ)	QUAND CONTACTER LE SUPPORT
Ne s'allume pas/ne démarre pas	Bouton de verrouillage sur OFF ; batterie faible ; batterie non insérée ; connecteurs humides/sales ; Protection électronique	Mettez le bouton de verrouillage sur ON ; Vérifiez la LED de la batterie ; éteindre (OFF), retirer la batterie, sécher la batterie + connecteurs, réinsérer et resserrer la virole ; Attendez 5 à 10 minutes et réessaie	Si elle ne démarre pas avec une batterie chargée et des connecteurs secs ; odeur anormale, marques de brûlure ou surchauffe
Démarre mais s'arrête/intermittent	Batterie presque vide ; protection thermique ; contacts instables (sel/corrosion) ; Hélice partiellement bloquée (sable/algues)	Vérifiez les LED ; laissez refroidir 10 à 15 minutes ; Retirer la batterie ; rincer à l'eau fraîche ; enlever les débris visibles sans insérer les doigts dans les grilles ; Puits sec	Si l'interruption continue après nettoyage et batterie complète ; Bruits anormaux/vibrations fortes

Vibrations excessives / bruit fort	Hélice endommagée/déséquilibrée ; des objets étrangers dans le moteur ; grille déformée ; Pièces lâches	OFF + débrancher la batterie ; inspecter les hélices/grilles ; rincer ; Vérifiez qu'il n'y a pas de pièces lâches	Si l'hélice/grille est cassée ou déformée ; Vibrations persistantes
« Tire un peu » / Petite vitesse	Batterie faible ; vitesse réglée à bas niveau (1) ; courant/mer agitée ; Grilles bouchées	Vérifier/recharger la batterie ; Vérifie le sélecteur de vitesse ; rincer et nettoyer les grilles/hélices ; Test d'eau calme	Si les performances restent faibles dans des conditions normales avec une batterie chargée et des groupes motopropulseurs propres
LED de batterie éteintes	Batterie trop basse ; des contacts sales/oxydés/humides ; Batterie défectueuse	Rechargez avec le chargeur d'origine ; rince le sel et sèche parfaitement ; Réinsérer la batterie	Si les LED restent éteintes après une charge ou un comportement anormal persistant
Batterie qui ne se charge pas/chargeur qui ne fonctionne pas	Prise non alimentée ; chargeur/câble endommagé ; des connecteurs humides/oxydés ; Température hors plage	Essayez une autre prise ; la vérification des câbles ; Assurez-vous que les connecteurs sont secs ; Amenez-le à température ambiante de 15-25 °C et réessayez	Si le chargeur chauffe excessivement, sent mauvais, ne se charge pas avec prise ; Câble endommagé
Infiltrations / eau ou condensation à l'intérieur du	Joint endommagé ; assemblage incorrect ; des bosses/fissures ; Corrosion	DANGER : Arrêter l'utilisation ; sortir de l'eau ; OFF ; Retirer la batterie ; sèche et laisse	Toujours : s'il y a de l'eau/condensation interne ou des joints endommagés

connecteur de la batterie		aérer ; Ne rechargez pas avant d'être complètement sec	
Le bouton de verrouillage ne saute pas/le bouton ne revient pas	Sable/sel dans les mécanismes ; Usure/déformation	OFF + batterie retirée ; rincer abondamment dans de l'eau douce ; elle fonctionne plusieurs fois à sec ; Sec	Si la commande reste difficile/bloquée ou peu fiable
Surchauffe	Utiliser hors de l'eau ; de l'eau très chaude ; grilles bouchées ; Charge élevée (courant fort)	OFF ; laisser rafraîchir à l'ombre ; Vérifier et nettoyer les grilles/propulseurs ; Reprenez le CV uniquement si c'est régulier	En cas de surchauffe récurrente dans des conditions normales

Prudence

Arrêtez immédiatement l'utilisation et ne réutilisez pas le produit avant inspection du service si vous observez : **odeur de brûlé/fumée, surchauffe anormale, vibrations fortes soudaines ou bruits métalliques, infiltration/condensation, ou contrôles peu fiables.**

14. Garantie

Le produit est garanti contre les défauts de fabrication pendant 24 mois à compter de la date d'achat (en fonction de la date de reçu/facture).

Toute défaillance ou dysfonctionnement causé par des événements accidentels et/ou attribuable à la responsabilité de l'utilisateur ou à l'utilisation du produit qui ne respecte pas son usage prévu et/ou les dispositions de ce manuel, ou en raison de l'usure naturelle des matériaux portables, d'un manque d'entretien, est toujours exclue du champ de la garantie.

Les éléments suivants sont, par exemple, considérés comme étant exclus de la garantie :

- Dommages causés par des secousses, des chutes accidentelles ou des collisions.
- Dommages causés par l'utilisation, l'exposition ou le stockage dans un environnement inapproprié (par exemple, présence de pluie et/ou de boue, exposition à l'humidité, lumière directe du soleil ou chaleur excessive).
- L'usure naturelle des matériaux portables : joints, roulements, câblage, connecteurs de câbles, adhésifs, etc.
- La dégradation naturelle de la capacité de la batterie.

La garantie est également annulée :

- Entretien inadéquat et/ou mauvaise utilisation de la batterie.
- Manipuler et/ou forcer certaines parties du produit.
- La modification incorrecte ou inadéquate du produit.
- Utilisation inappropriée du produit (voir paragraphe sur les usages inappropriés/interdits).
- La maintenance, les réparations et/ou les interventions techniques du produit effectuées par des tiers non autorisés.
- Dommages causés par le transport.
- Dommages et/ou défauts résultant de l'utilisation de pièces détachées non originales.

15. Informations sur la mise au rebut

Ne jetez pas ce produit comme déchets municipaux non triés : utilisez des installations de collecte séparées. Contactez votre autorité locale pour obtenir des informations sur les systèmes de collecte disponibles.

En cas de remplacement par un nouvel appareil, le détaillant peut être obligé de récupérer gratuitement le matériel d'occasion conformément à la réglementation applicable.

Hrvatski

PRIRUČNIK ZA UPOTREBU I ODRŽAVANJE

Upute napisane na talijanskom.

1. Uvod

MOLIMO VAS DA PAŽLJIVO PROČITATE OVAJ PRIRUČNIK PRIJE UPOTREBE I SAČUVATE GA ZA BUDUĆU UPOTREBU.

Proizvođač i distributer nisu odgovorni za nastalu štetu niti za štetu nanесenu imovini ili osobama. Provjerite i pridržavajte se lokalnih propisa o plovidbi/kupanju te svih ograničenja koja su na snazi na mjestu korištenja (npr. kupališne zone, zabrane, minimalna udaljenost od kupača, spuštateljski koridori, područja rezervirana za brodove, korištenje signalnih uređaja).

Korisnik je odgovoran za usvajanje marljivog i razboritog ponašanja, procjenjujući prije upotrebe:

- Vremenski i morski uvjeti (vjetar, valovi, vidljivost, struja).
- Gužva, promet brodova i prisutnost prepreka.
- Plivačke vještine i psihofizičko stanje.

Ključne preporuke:

- Uvijek koristite **odgovarajući osobni plutajući uređaj (prsluk za spašavanje)**.
- U slučaju maloljetnika: koristite **samo pod stalnim nadzorom odraslih**.
- Nikada ne koristite sami u izoliranim područjima – uvijek držite udaljenost koja omogućuje trenutnu pomoć.
- Održavajte brzinu i ponašanje prilagođeno vašim sposobnostima i okolini. Korištenje u vodi nosi rizik od **utapanja**, strujnih udara i ozljeda – budite iznimno oprezni.
- Ako osjetite umor, grčeve ili poteškoće: prestanite s korištenjem i odmah se vratite.

2. Zabrane

Strogo je zabranjeno:

- Korištenje kod djece mlađe od 16 godina.
- Koristite proizvod za druge namjene osim predviđenih (npr. neovlašteno vučenje, "ekstremnu" upotrebu, skokove, namjerne udarce).
- Korištenje pod utjecajem alkohola, droga ili lijekova koji smanjuju pažnju i reflekse.
- Koristi se u područjima gdje postoji rizik od požara/eksplozije ili u korozivnim/kemijski aktivnim atmosferama.

3. Namjena / razumno predvidiva zloupotreba

3.1 Namjena

Namjena uključuje:

- Korištenje na površini (ili na plitkoj dubini) od strane jedne osobe koja zna plivati. Oprez: ne štiti od utapanja.
- Koristite u mirnim i kontroliranim vodama, s dovoljnom vidljivošću i daleko od prepreka, plivača i broskog prometa.
- Korištenje s osobnim plutajućim uređajem (prslukom za spašavanje) u skladu s propisima lokalnih vlasti.
- Koristite s vezanom kosom jer se može zapeti u usisnim rešetkama.
- Koristite u skladu s ograničenjima koje je odredio proizvođač (vidi tehnički tehnički list).

Svaka upotreba koja nije u skladu s gore navedenim smatra se **neprikladnom**.

3.2 Razumno predvidiva zloupotreba

Razumno predvidiva zloupotreba smatra se i stoga je zabranjena:

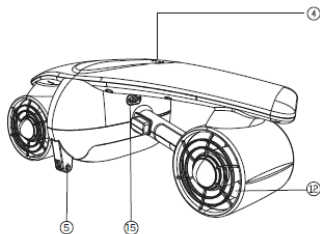
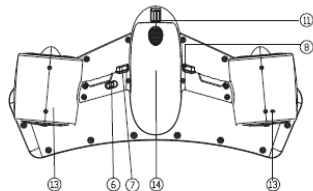
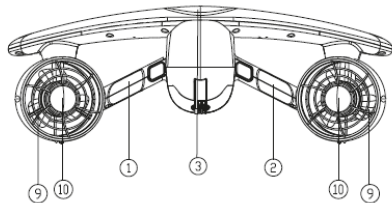
- Koristite proizvod kao sredstvo spašavanja, držanje za ruke ili plutaču.
- Vuče druge ljude, daske, napuhivače ili predmete osim ako proizvođač to izričito ne osigura.
- Koristi se u gužvama ili u blizini ronilaca/ronilaca, lansirnih koridora, molova, stijena, bova, užadi, mreža.
- Koristite se u nepovoljnim vremenskim uvjetima i morskim uvjetima (grmljavinske oluje, munje, jaki vjetrovi, nemirno more, jake struje, magla ili loša vidljivost).
- Koristite noću ili u uvjetima slabog osvjetljenja
- Približavanje plivača, ronilaca, stijena, molova, užadi, mreža, bova ili propelera čamac: ozbiljan rizik od udara/zapetljavanja.
- Umetnite ruke, stopala, kosu, vezice ili predmete u zonu usisavanja/pogona (rešetka/mlaznica): rizik od ozljede.
- Koristite ako je proizvod oštećen (pukotine, labavi dijelovi, curenje, neobičan miris, pregrijavanje, neobični zvukovi).
- Napunite bateriju u okruženju koje je previše vruće ili neprozračeno, pokrijte proizvod tijekom punjenja, pušite ili koristite otvoreni plamen blizu punjenja.
- Održavajte s priključenom baterijom ili s uključenim proizvodom.
- Modificirajte ili transformirajte proizvod ili njegove mehaničke/elektroničke dijelove na bilo koji način.
- Uklonite ili mijenjajte zaštitare, sigurnosne rešetke, upozoravajuće i identifikacijske pločice.
- Zakačite proizvod za tijelo nenamjernim sustavima (improviziranim užadima/remenima) koji se mogu zapetljati.
- Korištenje s oštećenom, vlažnom ili slanom/korodiranom baterijom, konektorima ili žicama;

- Otvorite spremnik za baterije pod vodom;
- Punjenje mokrim/mokrim konektorima ili neprikladnim punjačem;
- Ostaviti bez nadzora i dostupne djeci ili neprikladnim osobama;
- Ostavite proizvod izložen izravnoj sunčevoj svjetlosti.

Ako ste u nedoumici oko prikladnosti za upotrebu ili okolišnih uvjeta, **nemojte koristiti proizvod.**

4. Opis proizvoda

Proizvod je vodeni skuter s dvostrukim propelerima, dizajniran za rekreativno plivanje i ronjenje s maskom.



Popis dijelova

(kao na slici):

1. Drška 1
2. Drška 2
3. Shell
4. Indikator statusa baterije
5. GoPro nosač
6. Sigurnosna brava
7. Gumb za gas 1
8. Tipka gasa 2
9. Pogonski sklop
10. Prednja maska
11. Klizač za zaključavanje poklopca baterije
12. Propeler
13. Stražnja maska
14. Poklopac baterije
15. Selektor brzine

5. Sadržaj pakiranja

- Vodeni skuter (baterija uključena)
- Punjač
- Priručnik za rad i održavanje

6. Prije upotrebe

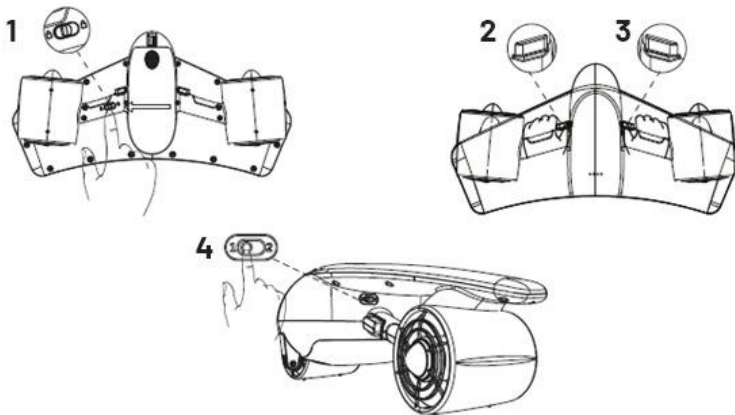
- Provjerite je li baterija napunjena, ako nije, napunite je;
- Provjerite jesu li tijelo, zaštite i poklopac baterije netaknuti i dobro fiksirani;
- Provjerite rade li kontrole ispravno i vratite se u siguran položaj;
- Provjerite jesu li baterija i konektori suhi, čisti i bez znakova oštećenja/korozije;
- Provjerite jesu li kabeli i brtve pritisnuti, prerezani ili deformirani.

Upozorenje: Ako otkrijete nedostatke, labave dijelove, neobičnu buku, curenje ili bilo kakvu abnormalnost, **nemojte koristiti** proizvod i kontaktirajte podršku.

7. Upotreba

S obzirom na sliku ispod, okrenite sigurnosnu bravu (1) na ON. Pritisnite i držite oba gumba (2 i 3) istovremeno – propeleri se pale i indikatori statusa baterije se pale. Provjerite je li operacija normalna. Za zaustavljanje pustite jednu ili obje tipke (2 i 3). Nakon upotrebe, vratite sigurnosnu bravu (1) na OFF.

Za promjenu brzine pomaknite prekidač za odabir (4). Pozicija 1 = niska brzina; Pozicija 2 = velika brzina

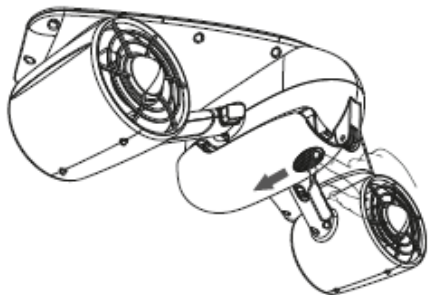


8. Nakon upotrebe

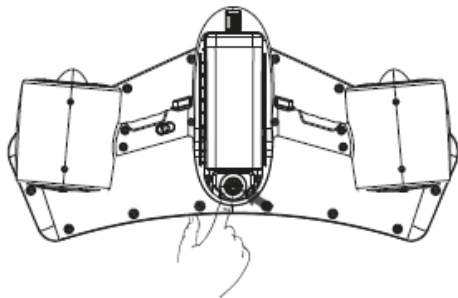
Nakon svake upotrebe, izvadite proizvod iz vode, isperite ga svježom vodom i osušite prije skladištenja. Nemojte koristiti deterdžente. Osušite vlažnom krpom.

Napunite bateriju što je prije moguće nakon upotrebe i izvadite je iz proizvoda tijekom skladištenja. Bateriju spremite na hladno i suho mjesto.

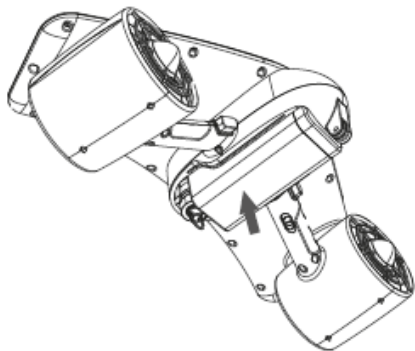
9. Ugradnja/uklanjanje baterija



Pritisnite donji klizač naprijed kako biste otključali poklopac spremnika za baterije.

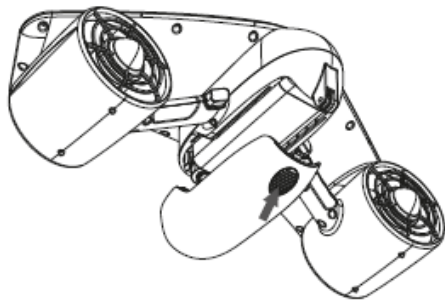


Umetni konektor i zavrni/odvrni prstenastu maticu.



Stavite/izvadite bateriju na mjesto.

Zamijenite poklopac i
Zaključaj s donjim klizačem.



10. Napunite bateriju

Proizvod dolazi s litij-ionskom baterijom. Kako bi se izbjegla opasnost, preporučuje se zaštita od: udarnih udara, padova, probijanja, kompresije, visokih temperatura, izravnog sunčevog svjetla, hladnoće, vlage, preopterećenja, prenapona, vanjskog kratkog spoja.

Prije punjenja, provjerite jesu li baterija i konektori suhi i koristite samo originalni punjač. Isključite bateriju s punjača nakon što je punjenje završeno.

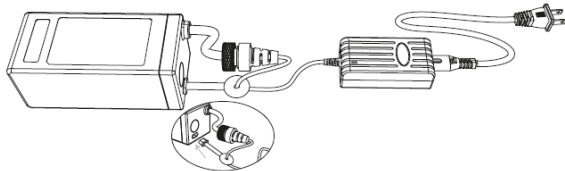
Tijekom punjenja, lampica punjača je crvena. Lampica postaje zelena kad je baterija potpuno napunjena.

Upozorenje:

- Koristite samo originalni punjač;
- Punite samo u zatvorenom, suho i prozračeno, daleko od izvora topline i zapaljivih materijala;
- Nemojte prekrivati punjač ili proizvod prilikom punjenja;
- Ako je kabel oštećen, nemojte ga puniti, kontaktirajte servis za zamjenu;
- Ne otvarajte opremu: to smiju činiti samo kvalificirani službenici.
- Nemojte ubacivati utikač za napajanje ako su priključak za punjenje, kabel ili utičnica mokri.

Indikatori statusa punjenja

LED1	LED2	LED3	LED4	Battery level
■	■	■	■	75%-100%
■	■	■	□	50%-75%
■	■	□	□	25%-50%
■	□	□	□	0%-25%
□	□	□	□	0%



11. Pranje i skladištenje

Perite proizvod u svježoj vodi bez deterdženata. Otključajte sigurnosnu bravu (1) i pritisnite i držite oba gumba (2 i 3) 3 sekunde, ponavljajući 5-6 puta. Osušite vlažnom krpom, zatim izvadite bateriju i punite je tek kad je potpuno suha. Nemojte koristiti visokotlačne peraae, visokotlačne mlaznice ili otapala.

Proizvod čuvajte na dobro prozračenom mjestu, daleko od izravne sunčeve svjetlosti i izvora topline. Nemojte spremati bateriju unutar uređaja. Bateriju čuvajte na prozračenom mjestu, daleko od djece, izravnog sunčevog svjetla, topline i izvora paljenja.

Nemojte ostavljati proizvod na suncu u automobilu ili u vrlo vrućim uvjetima. Bateriju punite barem svaka 3 mjeseca tijekom dugih razdoblja neaktivnosti.

12. Tehničke specifikacije

- Težina (uključujući bateriju): 4,5 kg
- Veličina: 540 × 280 × 190 mm (L×W×V)
- Maksimalna dubina: 30 m
- Maksimalna brzina: 0,8 m/s; 1,8 m/s
- Baterija: Li-ion 21,6 V – 6000 mAh – 130 Wh
- Težina baterije: 1,4 kg
- Maksimalna autonomija: 35 min
- Punjač: ulaz 100–240 V; Izlaz 25.2V 2A
- Vrijeme punjenja: 3 sata
- Snaga: 2 x 300 W
- Potisak: 12 kgf
- Radna temperatura: 0 °C – 40 °C
- Značajka: Samoplutajuće

Bilješke:

Maksimalna autonomija je oko 35 minuta pri malim brzinama (selektor na poziciji 1), a može varirati ovisno o težini osobe i vremenskim uvjetima na moru.

S ciljem kontinuiranog tehnološkog razvoja, proizvođač zadržava pravo mijenjati proizvod bez prethodne najave.

13. Rješavanje problema

PROBLEM	MOGUĆI UZROCI	HITNE AKCIJE (SIGURNO)	KADA KONTAKTIRATI PODRŠKU
Ne može se upaliti/neće se upaliti	Gumb za zaključavanje na ISKLJUČENO; niska baterija; baterija nije umetnuta; vlažne/prljave konektore; Elektronička zaštita	Stavi gumb za zaključavanje na ON; Provjerite LED bateriju; isključiti (ISKLJUČITI), izvaditi bateriju, osušiti bateriju + konektore, ponovno umetnuti i zategnuti obroč; Pričekajte 5–10 minuta i pokušajte ponovno	Ako ne upali s napunjenom baterijom i suhim konektorima; nenormalan miris, tragovi opeklina ili pregrijavanje
Počinja, ali prestaje/povremeno	Gotovo prazna baterija; toplinsku zaštitu; nestabilne kontakte (sol/korozija); Djelomično začepljen propeler (pijesak/alge)	Provjerite LED-ove; pustiti da se ohladi 10–15 minuta; uklonite bateriju; ispiranje u svježoj vodi; ukloniti vidljive ostatke bez umetanja prstiju u rešetke; Suhi bunar	Ako se povremeno stanje nastavi nakon čišćenja i pune baterije; nenormalni zvukovi/glasne vibracije

Pretjerane vibracije / glasna buka	Oštećen/neuravnotežen propeler; strane objekte u motoru; deformirana mreža; labavi dijelovi	ISKLJUČENO + ukloni bateriju; pregledati propelere/rešetke; ispiranje; Provjerite ima li labavih dijelova	Ako je propeler/rešetka slomljena ili deformirana; Trajne vibracije
"Vuci malo" / Niska brzina	Niska baterija; brzina postavljena na nisku razinu (1); struja/nemirno more; Začepljene rešetke	Provjeri/napuni bateriju; provjeri selektor brzine; isperite i očistite rešetke/propelere; Test s mirnom vodom	Ako performanse ostanu loše u normalnim uvjetima s napunjenom baterijom i čistim pogonskim sklopovima
LED diode baterije ugašene	Baterija je preniska; prljave/oksidirane/vlažne kontakte; Neispravna baterija	Punjenje originalnim punjačem; isperite svu sol i savršeno osušite; Ponovno umetnite bateriju	Ako LED-ice ostanu ugašene nakon punjenja ili upornog abnormalnog ponašanja
Baterija se ne puni/punjač ne radi	Utičnica nije napajana; oštećeni punjač/kabel; mokre/oksidirane konektore; Temperatura izvan raspona	Pokušaj drugi hvat; verifikaciju kabela; Provjerite jesu li konektori suhi; Dovedite na sobnu temperaturu 15-25 °C i pokušajte ponovno	Ako se punjač previše zagrijava, smrdi, ne puni se u utičnici u redu; oštećeni kabel
Prodiranje / voda ili kondenzacija unutar konektora baterije	Oštećena brtva; neispravno sastavljanje; kvržice/pukotine; Korozija	OPASNOST: Prekinite uporabu; izađite iz vode; ISKLJUČENO; uklonite bateriju; osušiti i pustiti da se prozračí; Ne punite dok se potpuno ne osuši	Uvijek: ako ima unutarnje vode/kondenzacije ili oštećenih brtvi

Gumb za zaključavanje se neće aktivirati/tipka se neće vratiti	Pijesak/sol u mehanizmima; Trošenje/deformacija	OFF + baterija uklonjena; obilno ispiranje u slatkoj vodi; vozi nekoliko puta suho; Suho	Ako naredba ostane teška/zaglavljena ili nepouzdana
Pregrijavanje	Koristite izvan vode; vrlo vruća voda; začepljene rešetke; Veliko opterećenje (jaka struja)	ISKLJUČENO; pustiti da se ohladi u hladu; provjeriti i očistiti rešetke/potisnike; Životopis samo ako je redovit	Ako dođe do ponovnog pregrijavanja u normalnim uvjetima

Upozorenje

Odmah prekinite korištenje i ne koristite proizvod dok ga servis ne pregleda ako primijetite: **miris paljevine/pušenja, neuobičajeno pregrijavanje, iznenadne jake vibracije ili metalne zvukove, curenje/kondenzaciju ili nepouzdana kontrole.**

14. Jamstvo

Proizvod je zajamčen protiv proizvodnih nedostataka 24 mjeseca od datuma kupnje (u odnosu na datum računa/računa).

Bilo kakvi kvarovi ili kvarovi uzrokovani slučajnim događajima i/ili koji se mogu pripisati odgovornosti korisnika ili korištenju proizvoda koji ne zadovoljavaju njegovu namjenu i/ili odredbe ovog priručnika, ili zbog prirodnog trošenja nosivih materijala, nedostatka održavanja, uvijek su isključeni iz opsega jamstva.

Sljedeće se, na primjer, smatraju isključenima iz jamstva:

- Šteta uzrokovana neravninama, slučajnim padovima ili sudarima.
- Oštećenja uzrokovana uporabom, izlaganjem ili skladištenjem u neprikladnom okruženju (npr. prisutnost kiše i/ili blata, izloženost vlazi, izravnoj sunčevoj svjetlosti ili prevelikoj toplini).
- Prirodno trošenje nosivih materijala: brtve, ležajevi, ožičenja, kablskih konektora, ljepila itd.
- Prirodno propadanje kapaciteta baterije.

Jamstvo je također poništeno:

- Nepravilno održavanje i/ili nepravilna upotreba baterije.
- Petljanje i/ili forsiranje dijelova proizvoda.
- Pogrešna ili neadekvatna modifikacija proizvoda.
- Nepravilna uporaba proizvoda (vidi odlomak o nepravilnoj/zabranjenoj upotrebi).
- Održavanje, popravci i/ili tehničke intervencije na proizvodu koje provode neovlaštene treće strane.
- Šteta nastala transportom.
- Oštećenja i/ili nedostaci nastali korištenjem neoriginalnih rezervnih dijelova.

15. Informacije o odlaganju

Nemojte odlagati ovaj proizvod kao nesortirani komunalni otpad: koristite zasebne objekte za prikupljanje. Za informacije o dostupnim sustavima prikupljanja obratite se svojoj lokalnoj vlasti.

U slučaju zamjene novim uređajem, prodavač može biti obvezan besplatno preuzeti rabljenu opremu u skladu s važećim propisima.



EC Declaration of Conformity


In accordance with Annex IIA of Directive 2006/42/EC

This declaration of conformity is issued under the sole responsibility of the manufacturer.

We, the manufacturer:

Shenzhen Manke Electronic Co., Ltd.
Building B, Yongshun Industrial Park, Hongxing Community, Songgang Street, Baoan District
Shenzhen, CHINA

declare that the following products as originally delivered:

Model(s)	Generic denomination/function	
W7	Underwater thruster	
Serial number identification		PLMO2600012604M0001 - PLMO2600012604M1350

() The image is purely indicative and may not fully reflect the characteristics of the product.*

are in conformity with the following relevant Union Harmonisation Legislation:

Directive / Regulation	Conformity assessment procedure
Directive 2006/42/EC on machinery	Internal production control
Directive 2014/30/EU relating to electromagnetic compatibility	Internal production control
Directive 2011/65/EU and its subsequent amendments Directive (EU) 2015/863 on the restriction of the use of certain hazardous substances in electrical and electronic equipment	Internal production control

For the conformity assessment, the following harmonized standards and technical specifications have been applied:

EN ISO 12100:2010
EN 60204-1:2018
UL 62368-1:2020 +A11:2020
EN 55014-1:2021
EN 55014-2:2021
EN ISO 63000:2018

Supplementary Information

Refer to the instructions for the intended use of the product.
The technical file was compiled in accordance with Annex II of Directive 2006/42/EC.

Signed for and on behalf of Shenzhen Manke Technology Co., Ltd

Shenzhen 2016.03.17
(place, date)

JinChao, Li
(name) Quality Supervisor
(role)



Original declaration



Dichiarazione di Conformità CE

In conformità all'Allegato IIA della Direttiva 2006/42/EC


La presente dichiarazione di conformità è rilasciata sotto la responsabilità esclusiva del fabbricante

Noi, il fabbricante:

Shenzhen Manke Electronic Co., Ltd.
Building B, Yongshun Industrial Park, Hongxing Community, Songgang Street, Baoan District
Shenzhen, CHINA

dichiara che i seguenti prodotti sono stati originariamente consegnati:

Modello(i)	Denominazione generica / funzione
W7	Propulsore subacqueo



Identificazione del numero di serie: PLMO2600012604M0001- PLMO2600012604M1350

() L'immagine è puramente indicativa e potrebbe non riflettere pienamente le caratteristiche del prodotto.*

sono conformi alle seguenti normative pertinenti sull'armonizzazione dell'Unione:

Direttiva / Regolamento	Procedura di valutazione della conformità
Direttiva macchine 2006/42/EC	Internal production control
Direttiva 2014/30/EU relativa alla compatibilità elettromagnetica.	Internal production control
Direttiva 2011/65/EU e le successive modifiche della Direttiva (UE) 2015/863 sulla restrizione dell'uso di alcune sostanze pericolose nelle apparecchiature elettriche ed elettroniche	Internal production control

Per la valutazione della conformità, sono stati applicati i seguenti standard armonizzati e specifiche tecniche:

EN ISO 12100:2010
EN 60204-1:2018
UL 62368-1:2020 +A11:2020
EN 55014-1:2021
EN 55014-2:2021
EN ISO 63000:2018

Informazioni supplementari

Consulta le istruzioni per l'uso previsto del prodotto.
Il fascicolo tecnico è stato compilato in conformità con l'Allegato II della Direttiva 2006/42/CE.

Firmato da e per conto di Shenzhen Manke Technology Co., Ltd

Shenzhen Jobb 05.17
(luogo, data)

Jun Chao, Li
(nome)

Quality Supervisor
(ruolo)





Deklaracija o sukladnosti EZ-a

U skladu s Dodatkom IIA Direktive 2006/42/EZ

Ova izjava o sukladnosti izdaje se pod isključivom odgovornošću proizvođača.

Mi, proizvođač:

Shenzhen Manke Electronic Co., Ltd.
Zgrada B, industrijski park Yongchun, zajednica Hongxing, ulica Songgang, okrug Baoan
Shenzhen, KINA

izjavljuju da su sljedeći proizvodi izvorno isporučeni:

Model(i)	Generička denominacija/funkcija
W7	Podvodni ponašnik
Identifikacija serijskog broja <i>PLMO2600012604M0001 - PLMO2600012604M1350</i>	



() Slika je isključivo informativna i možda ne odražava u potpunosti karakteristike proizvoda.*

u skladu su sa sljedećim relevantnim zakonodavstvom o uskladjivanju Unije:

Direktiva / Uredba	Postupak ocjenjivanja sukladnosti
Direktiva 2006/42/EZ o strojevima	Interna kontrola proizvodnje
Direktiva 2014/30/EU o elektromagnetskoj kompatibilnosti	Interna kontrola proizvodnje
Direktiva 2011/65/EU i njezine naknadne izmjene Direktiva (EU) 2015/863 o ograničenju upotrebe određenih opasnih tvari u električnoj i elektroničkoj opremi	Interna kontrola proizvodnje

Za procjenu sukladnosti primijenjeni su sljedeći usklađeni standardi i tehničke specifikacije:

EN ISO 12100:2010
EN 60204-1:2018
UL 62368-1:2020 +A11:2020
EN 55014-1:2021
EN 55014-2:2021
EN ISO 63000:2018

Dodatne informacije

Pogodnije upute za namjenu proizvoda.
Tehnički dosje sastavljen je u skladu s Prilogom II Direktive 2006/42/EZ.

Potpisano u ime i u ime Shenzhen Manke Technology Co., Ltd

Shenzhen 2026. 03. 17
(mjesto, datum)

Jinchao Li
(ime)





Déclaration de conformité de la CE


Conformément à l'annexe IIA de la directive 2006/42/CE

Cette déclaration de conformité est délivrée sous la seule responsabilité du fabricant.

Nous, le fabricant :

Shenzhen Manke Electronic Co., Ltd
Bâtiment B, parc industriel de Yongchun, communauté de Hongxing, rue Songgang, district de Baoan
Shenzhen, CHINE

déclarez que les produits suivants tels qu'ils ont été livrés à l'origine :

Modèle(s)	Dénomination/fonction générique
W7	Propulseur sous-marin
	
Identification par numéro de série PLM02600012604140001- PLM02600012604M1350	

(*): L'image est purement indicative et ne reflète pas toujours pleinement les caractéristiques du produit.

sont conformes aux lois pertinentes sur l'harmonisation de l'Union suivantes :

Directive / Règlement	Procédure d'évaluation de la conformité
Directive 2006/42/CE sur les machines	Contrôle interne de la production
Directive 2014/53/UE relative à la compatibilité électromagnétique	Contrôle interne de la production
Directive 2011/65/UE et ses modifications ultérieures Directive (UE) 2015/863 sur la restriction de l'utilisation de certaines substances dangereuses dans les équipements électriques et électroniques	Contrôle interne de la production

Pour l'évaluation de la conformité, les normes harmonisées et spécifications techniques suivantes ont été appliquées :

ISO 12100:2010
EN 60204-1:2018
UL 62368-1:2020 +A11:2020
EN 55014-1:2021
EN 55014-2:2021
EN ISO 63000:2018

Informations complémentaires

Consultez les instructions pour l'utilisation prévue du produit.
Le dossier technique a été compilé conformément à l'annexe II de la directive 2006/42/CE.

Signé pour et au nom de Shenzhen Manke Technology Co., Ltd

Shenzhen 2023.03.17
(lien, date)

Jinchao, Li
(nom)

Quality Supervisor





platum.com



Platum



platum.emobility



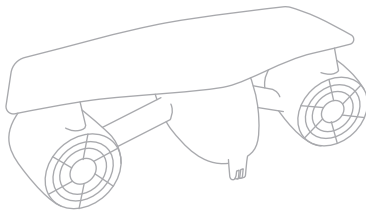
platum.emobility



platum.emobility



PLATUM



Download User Manual



Imported and distributed by Platum S.p.A.
società con socio unico

via Bargellino 10, 40012, Calderara di Reno, (BO) Italy
P.I. IT04177080375

www.platum.com

The company accepts no responsibility for any errors, omissions, or inaccuracies contained in this document. Improper use of the information herein, as well as any damage resulting from misinterpretation or unauthorized modifications to the product, shall in no case be attributable to the company.

We reserve the right to make technical changes or update the content without prior notice.
Reproduction of any part of this manual is prohibited without the company's written authorization.